

PCB Connectors PRESS-FIT

Serie TP-SESE

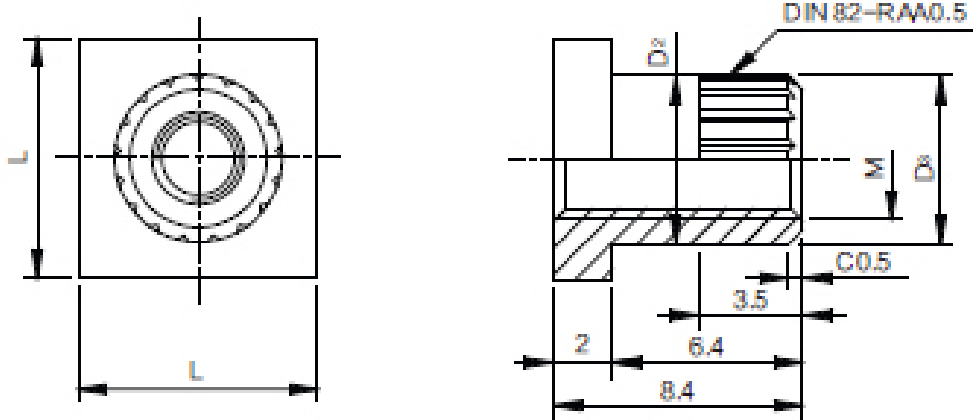


TP-SESE

Features

- Two-Part, Female Thread. The cable can be fixed on the PCB board with the Base-Part.
- Fixing of large heavy components
- UNC thread or customer specific modifications on demand

Drawings



Technical Data

PROPERTIES	
Material	CuZn39Pb3
Surface	Tin
Rate Current	up to 300A
Heat Resistance	-55 C up to +150 C

Drawing No.	M	L	D2-0,2	D3±0,05	Used Base plate
PFPE1401	M3	9	5,65	5,65	PFPE1101
PFPE1402	M4	10	6,35	6,35	PFPE1201
PFPE1403	M4	9	5,65	5,65	PFPE1101
PFPE1404	M4	10	6,35	6,35	PFPE1201
PFPE1405	M4	13	7,45	7,45	PFPE1202 PFPE1102
PFPE1406	M5	10	6,35	6,35	PFPE1201
PFPE1407	M5	13	7,45	7,45	PFPE1202 PFPE1102
PFPE1408	M6	13	7,45	7,45	PFPE1202 PFPE1102
PFPE1409	M8	16	10	10	PFPE1103
PFPE1410	M8	16	10,65	10,65	PFPE1104
PFPE1411	M8	16	12,15	12,15	PFPE1203
PFPE1412	M10	16	12,15	12,15	PFPE1203