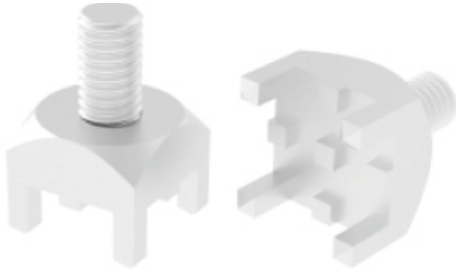


PCB Connectors PRESS-FIT

Serie THR-EH

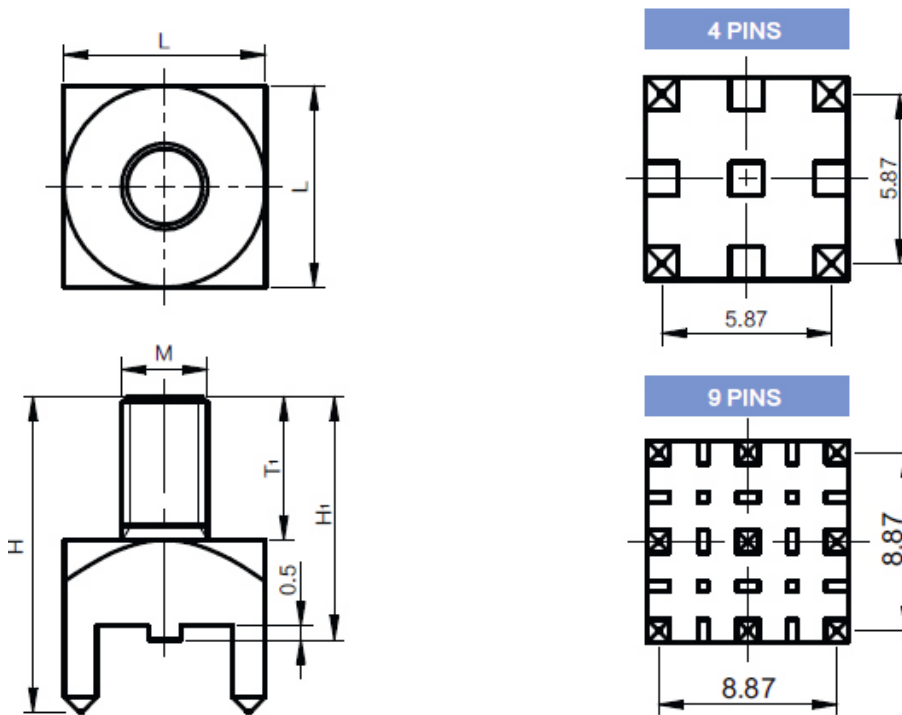


THR-EH

Features

- Solderable high current Wire-to-Board connections with a focus on automated assembly
- PCB connection for fixing cable lugs
- Cable or PCB angle assembly

Drawings



Technical Data

PROPERTIES

Material	Brass
Surface	Tin
Solder Cream Thickness	150 μm
Heat Resistance	-55 C up to +150 C
Packaging	Bulk; Tape and Reel

Drawing No.	M	H	H1	T1	L	Pins	IR(A)	Tightening Torque
PFPE2101	M3	11	8,5	5	7	4	50	0,5Nm
PFPE2102	M4	11	8,5	5	7	4	50	1,2Nm
PFPE2103	M4	11	8,5	5	10	9	85	1,2Nm
PFPE2104	M5	13	10,5	7	7	4	50	2,2Nm
PFPE2105	M5	13	10,5	7	10	9	85	2,2Nm