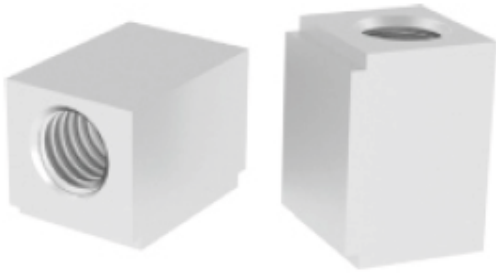


PCB Connectors PRESS-FIT

Serie SMD-RA

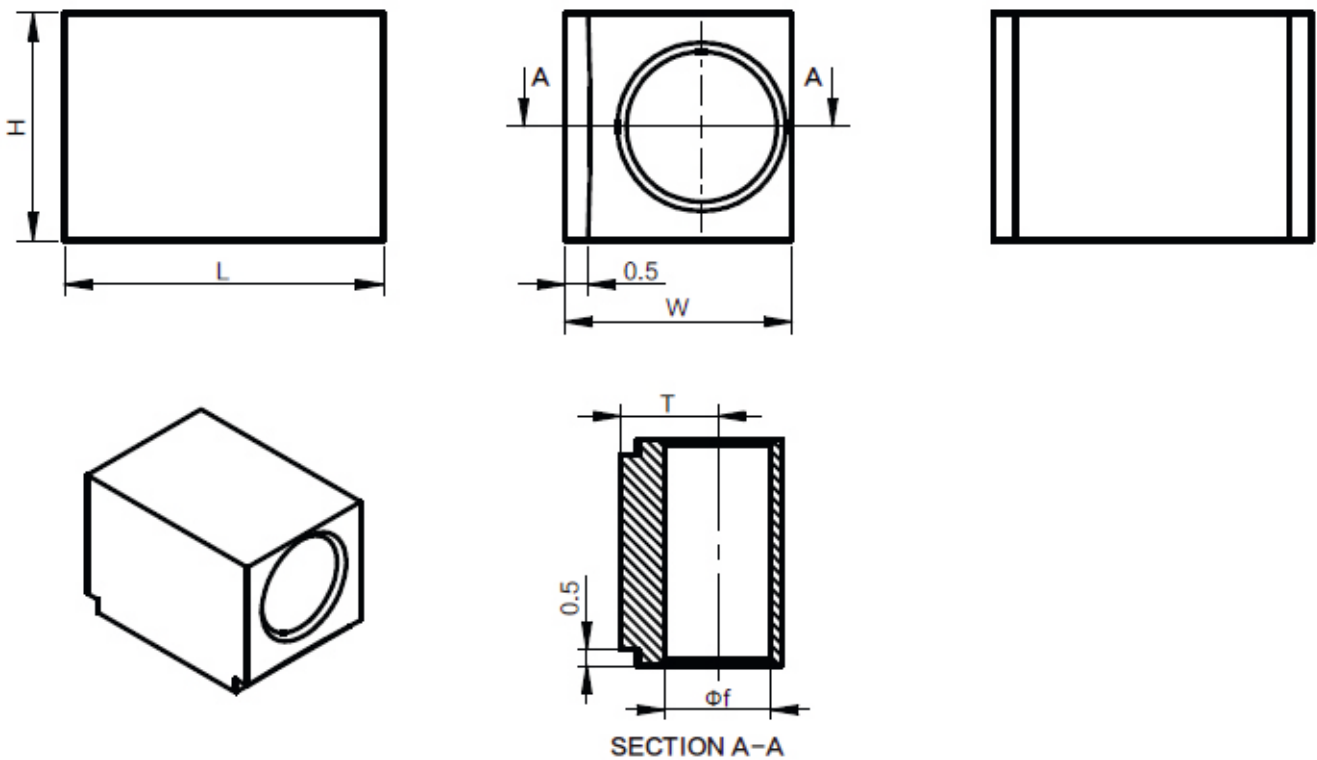


**SMD-RA**

**Features**

- For soldering in SMT, Blistered for fully automated assembly.
- PCB connection for fixing cable lugs
- UNC thread or customer specific modifications on demand

**Drawings**



**Technical Data**

**PROPERTIES**

Material	Brass
Surface	Tin
Solder Cream Thickness	120 $\mu$ m
Heat Resistance	-55 C up to +150 C
Packaging	Bulk; Tape and Reel

Draving No.	$\phi f/M$	L	W	H	T	IR (A)	Tigtning Torque
PFPE3001	$\phi 3.3$	7	5	5	3	50	-
PFPE3002	M3	7	5	5	3	50	0.4Nm