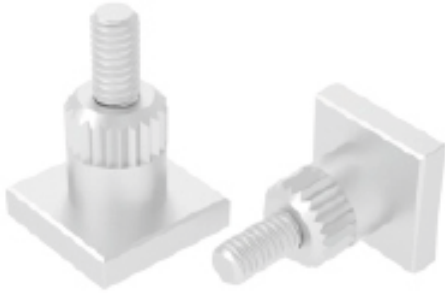


PCB Connectors PRESS-FIT

Serie TP-SESI

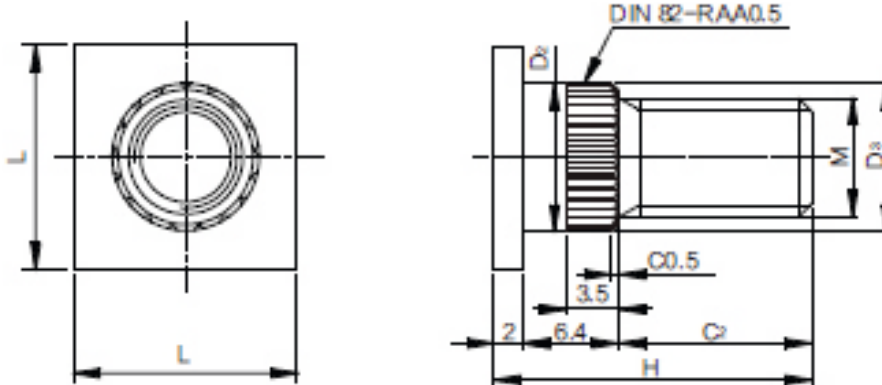


TP-SESI

Features

- Two-Part, Male Thread. The cable can be fixed on the PCB board with the Base-Part
- Fixing of large heavy components
- UNC thread or customer specific modifications on demand

Drawings



Technical Data

PROPERTIES

Material	CuZn39Pb3
Surface	Tin
Rate Current	up to 300A
Heat Resistance	-55 C up to +150 C

Drawing No.	M	H	L	C2	D2-0,2	D3±0,05	Used Base Plate
PFPE1801	M3	13,4	9	5	5,6	5,6	PFPE1101
PFPE1802	M3	14,4	10	6	6,35	6,35	PFPE1201
PFPE1803	M4	14,4	9	6	5,6	5,6	PFPE1101
PFPE1804	M4	14,4	10	6	6,35	6,35	PFPE1201
PFPE1805	M4	16,4	13	8	7,45	7,45	PFPE1202 PFPE1102
PFPE1806	M5	16,4	13	8	7,45	7,45	PFPE1202 PFPE1102
PFPE1807	M5	17,4	10	9	6,35	6,35	PFPE1201
PFPE1808	M6	18,4	13	10	7,45	7,45	PFPE1202 PFPE1102
PFPE1809	M8	21,4	16	13	10	10	PFPE1103
PFPE1810	M8	21,4	16	13	10,65	10,65	PFPE1104
PFPE1811	M8	21,4	16	13	12,15	12,15	PFPE1203
PFPE1812	M10	21,4	16	13	12,15	12,15	PFPE1203