

PCB Connectors PRESS-FIT

Serie TP-SERE

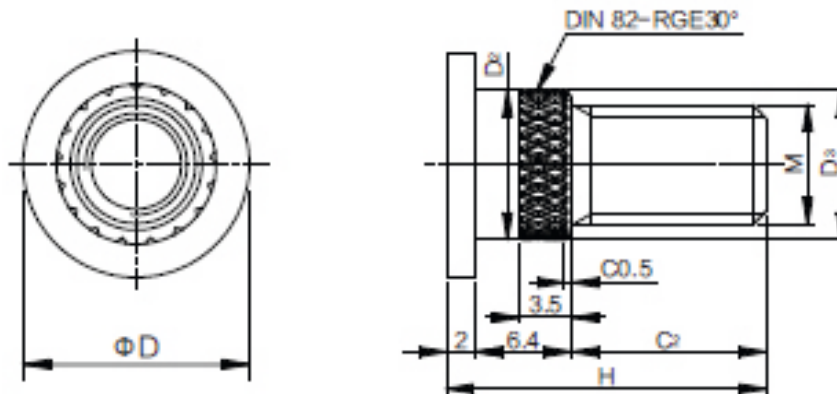


TP-SERE

Features

- Two-Part, Male Thread. The cable can be fixed on the PCB board with the Base-Part
- Fixing of large heavy components
- UNC thread or customer specific modifications on demand

Drawings



Technical Data

PROPERTIES

Material	CuZn39Pb3
Surface	Tin
Rate Current	up to 300A
Heat Resistance	-55 C up to +150 C

Drawing No.	M	H	C2	D	D2-0.2	D3±0.05
PFPE1701	M3	13,4	5	8	5,65	5,65
PFPE1702	M4	14,4	6	8	5,65	5,65
PFPE1703	M5	16,4	8	12	7,45	7,45
PFPE1704	M6	18,4	10	12	7,45	7,45
PFPE1705	M8	21,4	13	15	9,95	9,95
PFPE1706	M8	21,4	13	15	10,65	10,65