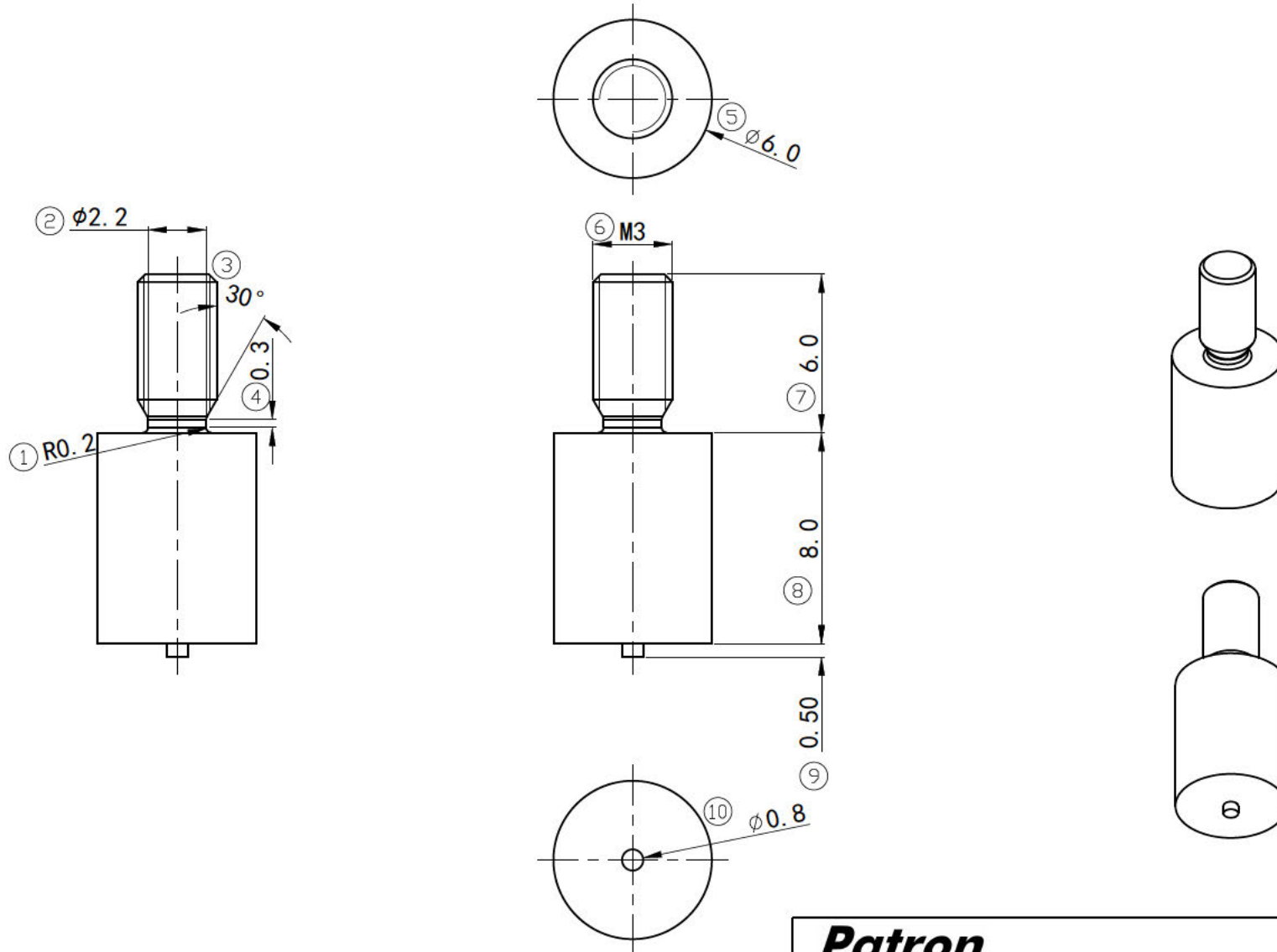




NO.	REV		



Patron <i>Passive Elektronik</i>					
		Date	2022. 06. 06	Scale	1:1
Part N.:	Patron PFPE2301-L8				
Customer					
Material	1215				
Surface	Matt Tin Plated 5-8um				
				 	
				Rev.: 0	

Size	L	0.5-3.0	>3.0-6.0	>6.0-30	>30-120
	R	0.5-3.0	>3.0-5.0	>5.0	
	A	0-10	10-50	50-120	120-400
Tolerance		± 0.2	± 0.3	± 0.5	± 0.8
Angle		$\pm 1^\circ 90'$	$\pm 1^\circ$	$\pm 30'$	$\pm 15'$