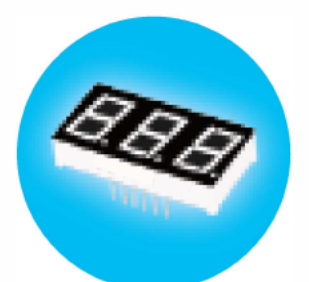
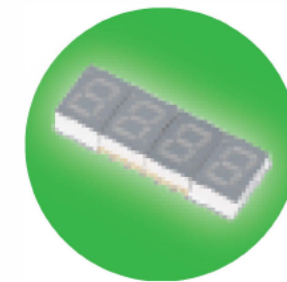
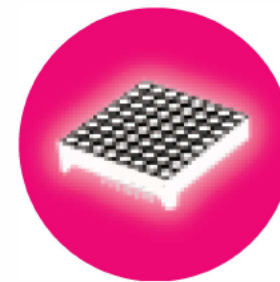


LED

Patron

Passive Elektronik

Light It up



Display Products

LED & Electronics Application Technologies

Factory:

Patron

Passive Elektronik

Version 1.0



We have been improving our production processes and environment continuously. Our own in-house production lines are fully automated, key machines include wire and die bonding, auto encapsulation, auto Bin classification and tape & reel packaging which are imported from overseas. We undertake all the production processes in class 10K clean room with temperature, humidity and ESD control.

Quality Control

Patron's devotion to quality control is never-ending. In addition to attaining ISO9001 :2000 quality accreditation, Patron has established its own independent Quality Engineering Centre, which comprises three individual laboratories:

- Reliability Test Lab
- Photometric Lab
- Failure Analysis Lab

These laboratories conduct a wide array of reliability tests-including tests for shock resistance, life span and thermal shock-to ensure that only the highest quality Patron products are delivered to our valuable customers. Patron's quality assurance experts are devoted to achieving:

- Precision emission patterns
- High degree of color consistency
- High durability
- High reliability to withstand the temperature, humidity and ultraviolet
- Conditions of real outdoor environments



LED Lamp Bond Machine



Top View SMD Bin Sorter



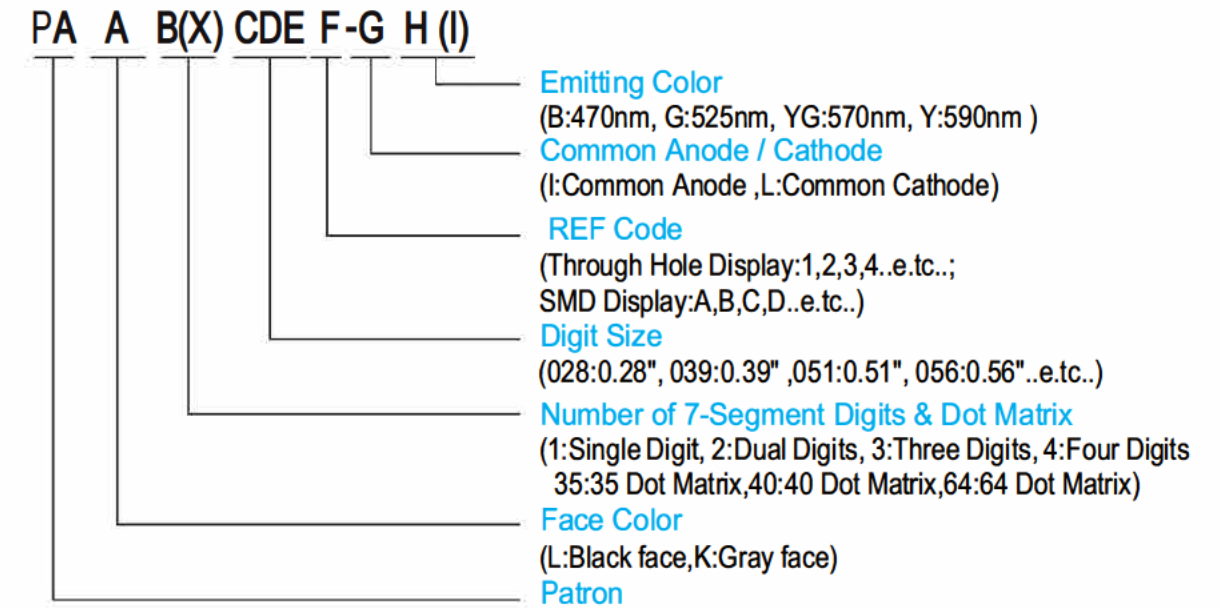
LED Application Production Line

We continue to focus on the development of related LED products application in order to extend the company's production line. We have been improving our production processes and environment continuously. Our own In-house production lines are fully automated key machines, include Lead-Free N2 /AIR Reflow Soldering Machine and Automatic Lead-Free Dual Ware Soldering Machine.

CONTENTS

Through-hole Display..... 1-24
Dot Matrix 25-35
SMD Display..... 36-43

DISPLAY PART NUMBER FORMATION



RoHS Compliance



Pb free.



About **Patron** *Passive Electronic*

We are a Hong Kong based LED manufacturer with our headquarter in Hong Kong and wholly owned factory located in Shenzhen of China. Owing the advance automatic machines and professional engineers. We strive to serve our worldwide customers with the full range of LED models at the most reasonable price vs. the highest brightness and the best quality and customer service.



Main Products:

- Through-Hole LED
- SMD LED
- Super Flux LED
- High Power LED
- LED Light Strip
- Digit Display & Dot Matrix
- OEM (original equipment manufacturing) Product
- ODM (original design manufacturing) Product



LED Plasma Cleaner

Achievement:

- Renewed our website with new style in 2016
- Launched more new products into product line regularly during 2012 2016
- Introduced more technology and increased new equipments in 2011
- Increased two new super flux LED production lines and power LED production line in 2010
- Added two more SMD production lines in 2010
- Added assembly production line in 2009
- Added Plasma Cleaner for strengthening product quality in 2009
- Added a new SMD production line in 2009
- Got ISO9001: 2008 certification and ISO14001: 2004 certification in 2008
- Got REACH and SVHC certification in 2008
- Moved Hong Kong office to Fo Tan in 2006
- Got RoHS certification in 2005
- Expanded LED lamp production capacity to 2KK per day since 2004
- Expanded manufacturing floor space to 5,000 square meters in 2004
- Moved production plant to Longgang in 2004
- Obtained ISO9001: 2000 certification in 2003
- Founded in 2001 in Hong Kong

Manufactory Technology

Through continuous research and development, **Patron** pioneer applications for LEDs that create new value for our customers. The Group's dedicated R&D team is committed to developing innovative new applications for LED components. As **Patron** engineers explore the immense untapped potential of LED technology, one of the Group's top priorities is to create new applications to make our customers' dreams become reality.

To achieve its goals, our R & D team focuses on three directions, namely materials, process and optics innovation. We strive to improve LED performance by deploying non-imaging optics technique, including ray tracing and LED light source optical modeling.

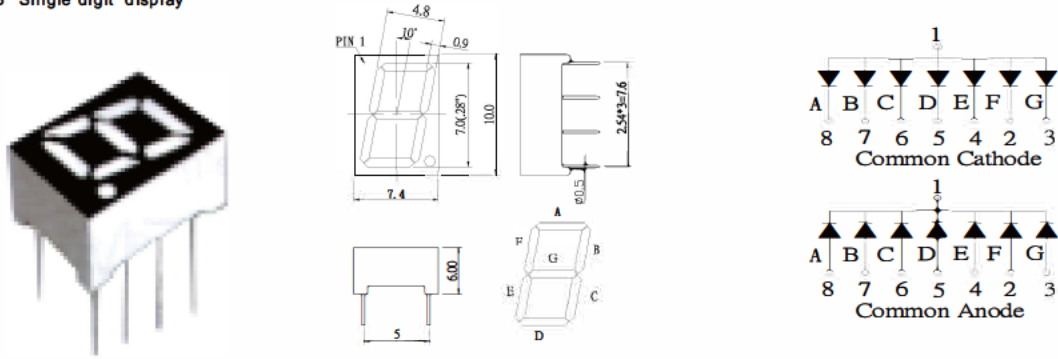
From deploying vertical integration to ensuring flexibility and speed, **Patron** manufacturing facilities are engineered to meet the diverse needs of our customers and OEM partners worldwide.



LED Lamp Assembly

Package Dimension / Internal Circuit

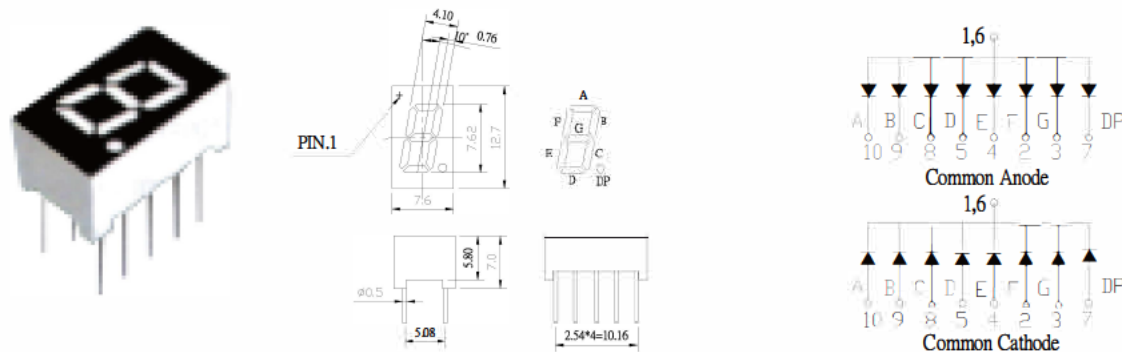
0.28" Single digit display



Part Number		Color	Wavelength(nm) λ D @ IF=20mA	V _F (V) @ IF=20mA	I _v (mcd) @ IF=20mA
Common Anode	Common Cathode				
PA10282 IB	PA10282 LB	Blue	465	3.1	50
PA10282 IG	PA10282 LG	Pure Green	525	3.1	200
PA10282 IYG	PA10282 LYG	Yellow Green	571	2.1	12
PA10282 IY	PA10282 LY	Yellow	590	2.1	60
PA10282 IO	PA10282 LO	Orange	605	2.1	70
PA10282 IR	PA10282 LR	Red	630	2.1	26
PA10282 IRA	PA10282 LRA	Super Bright Red	625	2.1	100

Package Dimension / Internal Circuit

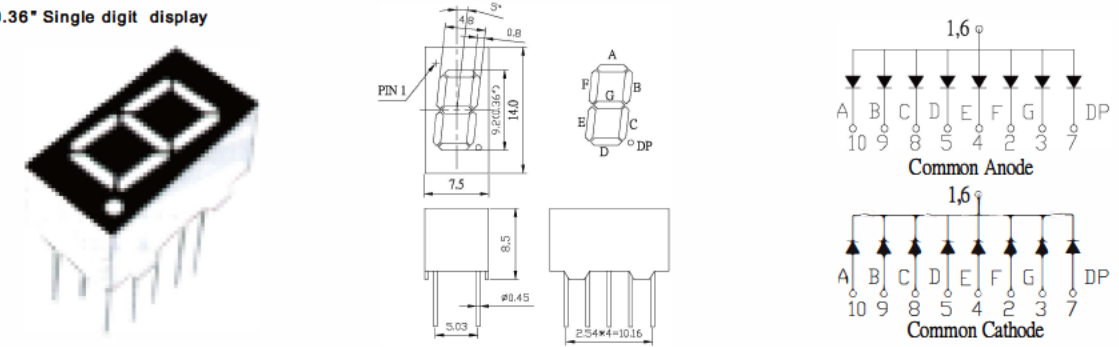
0.30" Single digit display



Part Number		Color	Wavelength(nm) λ D @ IF=20mA	V _F (V) @ IF=20mA	I _v (mcd) @ IF=20mA
Common Anode	Common Cathode				
PA10301 IW	PA10301 LW	White	10000K	3.1	65
PA10301 IB	PA10301 LB	Blue	465	3.1	50
PA10301 IG	PA10301 LG	Pure Green	525	3.1	200
PA10301 IYG	PA10301 LYG	Yellow Green	571	2.1	12
PA10301 IY	PA10301 LY	Yellow	590	2.1	60
PA10301 IO	PA10301 LO	Orange	605	2.1	70
PA10301 IR	PA10301 LR	Red	630	2.1	26
PA10301 IRA	PA10301 LRA	Super Bright Red	625	2.1	100

Package Dimension / Internal Circuit

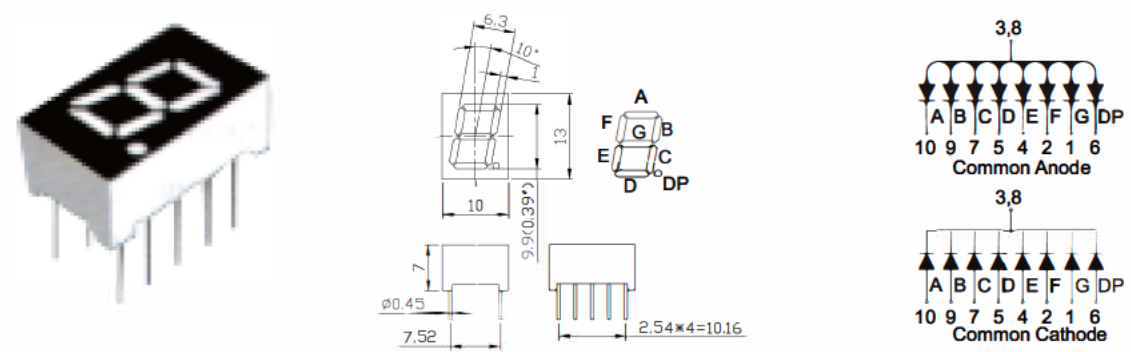
0.36" Single digit display



Part Number		Color	Wavelength(nm) λ D @ IF=20mA	V _F (V) @ IF=20mA	I _v (mcd) @ IF=20mA
Common Anode	Common Cathode				
PA10361 IW	PA10361 LW	White	10000K	3.1	65
PA10361 IB	PA10361 LB	Blue	465	3.1	50
PA10361 IG	PA10361 LG	Pure Green	525	3.1	200
PA10361 IYG	PA10361 LYG	Yellow Green	571	2.1	12
PA10361 IY	PA10361 LY	Yellow	590	2.1	60
PA10361 IO	PA10361 LO	Orange	605	2.1	70
PA10361 IR	PA10361 LR	Red	630	2.1	26
PA10361 IRA	PA10361 LRA	Super Bright Red	625	2.1	100

Package Dimension / Internal Circuit

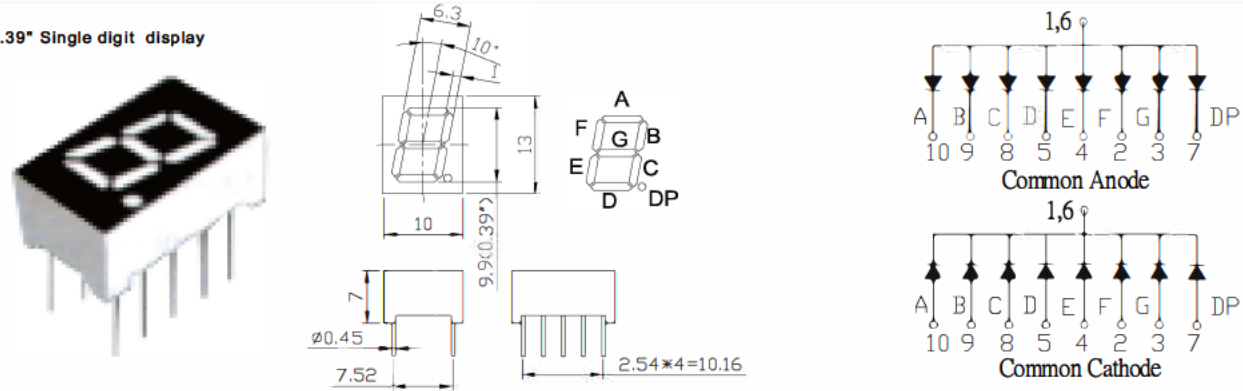
0.39" Single digit display



Part Number		Color	Wavelength(nm) λ D @ IF=20mA	V _F (V) @ IF=20mA	I _v (mcd) @ IF=20mA
Common Anode	Common Cathode				
PA10391 IW	PA10391 LW	White	10000K	3.1	65
PA10391 IB	PA10391 LB	Blue	465	3.1	50
PA10391 IG	PA10391 LG	Pure Green	525	3.1	200
PA10391 IYG	PA10391 LYG	Yellow Green	571	2.1	12
PA10391 IY	PA10391 LY	Yellow	590	2.1	60
PA10391 IO	PA10391 LO	Orange	605	2.1	70
PA10391 IR	PA10391 LR	Red	630	2.1	26
PA10391 IRA	PA10391 LRA	Super Bright Red	625	2.1	100

Package Dimension / Internal Circuit

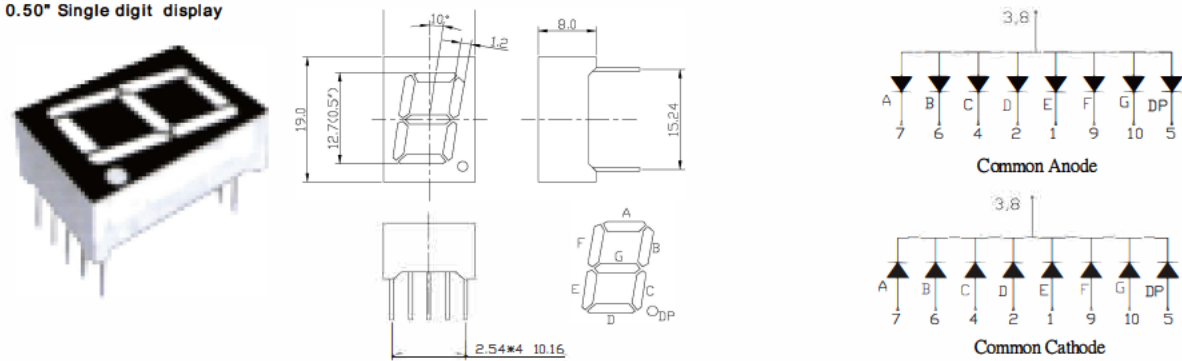
0.39" Single digit display



Part Number		Color	Wavelength(nm) λ D @ IF=20mA	V _F (V) @ IF=20mA	I _v (mcd) @ IF=20mA
Common Anode	Common Cathode				
PA 10393-IW	PA 10393-LW	White	10000K	3.1	65
PA 10393-IB	PA 10393-LB	Blue	465	3.1	50
PA 10393-IG	PA 10393-LG	Pure Green	525	3.1	200
PA 10393-IYG	PA 10393-LYG	Yellow Green	571	2.1	12
PA 10393-IY	PA 10393-LY	Yellow	590	2.1	60
PA 10393-IO	PA 10393-LO	Orange	605	2.1	70
PA 10393-IR	PA 10393-LR	Red	630	2.1	26
PA 10393-IRA	PA 10393-LRA	Super Bright Red	625	2.1	100

Package Dimension / Internal Circuit

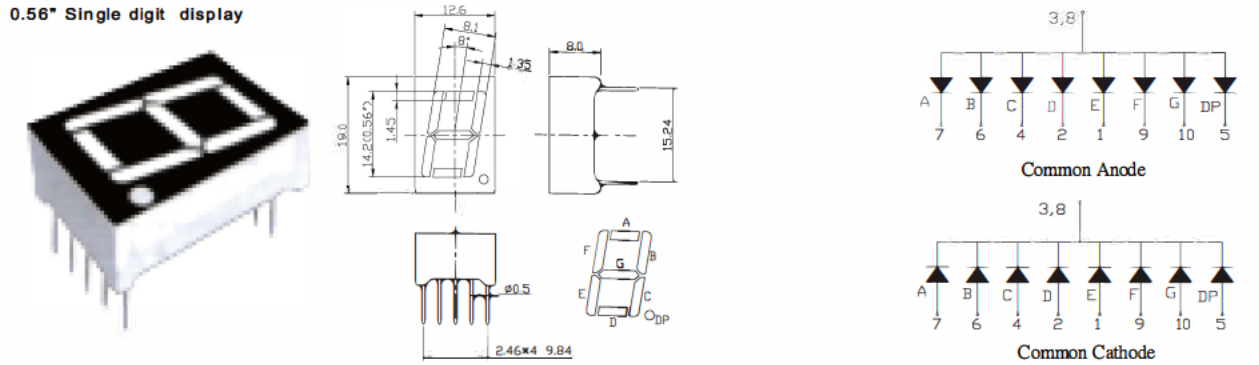
0.50" Single digit display



Part Number		Color	Wavelength(nm) λ D @ IF=20mA	V _F (V) @ IF=20mA	I _v (mcd) @ IF=20mA
Common Anode	Common Cathode				
PA 10501-IW	PA 10501-LW	White	10000K	3.1	65
PA 10501-IB	PA 10501-LB	Blue	465	3.1	50
PA 10501-IG	PA 10501-LG	Pure Green	525	3.1	200
PA 10501-IYG	PA 10501-LYG	Yellow Green	571	2.1	12
PA 10501-IY	PA 10501-LY	Yellow	590	2.1	60
PA 10501-IO	PA 10501-LO	Orange	605	2.1	70
PA 10501-IR	PA 10501-LR	Red	630	2.1	26
PA 10501-IRA	PA 10501-LRA	Super Bright Red	625	2.1	100

Package Dimension / Internal Circuit

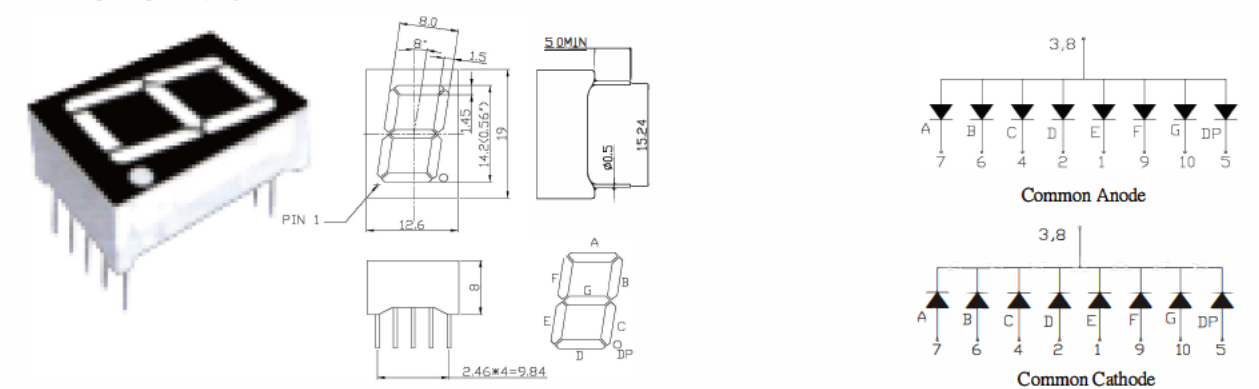
0.56" Single digit display



Part Number		Color	Wavelength(nm) λ D @ IF=20mA	V _F (V) @ IF=20mA	I _v (mcd) @ IF=20mA
Common Anode	Common Cathode				
PA 10561-IW	PA 10561-LW	White	10000K	3.1	65
PA 10561-IB	PA 10561-LB	Blue	465	3.1	50
PA 10561-IG	PA 10561-LG	Pure Green	525	3.1	200
PA 10561-IYG	PA 10561-LYG	Yellow Green	571	2.1	12
PA 10561-IY	PA 10561-LY	Yellow	590	2.1	60
PA 10561-IO	PA 10561-LO	Orange	605	2.1	70
PA 10561-IR	PA 10561-LR	Red	630	2.1	26
PA 10561-IRA	PA 10561-LRA	Super Bright Red	625	2.1	100

Package Dimension / Internal Circuit

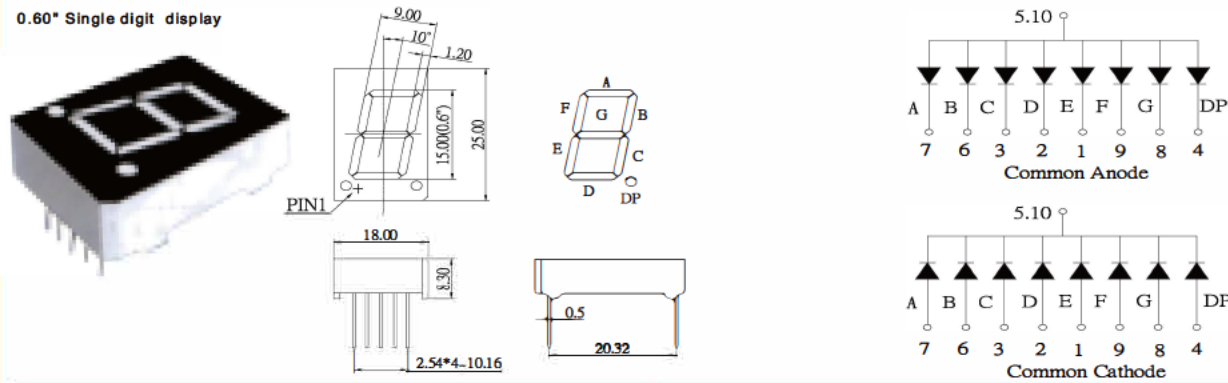
0.56" Single digit display



Part Number		Color	Wavelength(nm) λ D @ IF=20mA	V _F (V) @ IF=20mA	I _v (mcd) @ IF=20mA
Common Anode	Common Cathode				
PA 10564-IW	PA 10564-LW	White	10000K	3.1	65
PA 10564-IB	PA 10564-LB	Blue	465	3.1	50
PA 10564-IG	PA 10564-LG	Pure Green	525	3.1	200
PA 10564-IYG	PA 10564-LYG	Yellow Green	571	2.1	12
PA 10564-IY	PA 10564-LY	Yellow	590	2.1	60
PA 10564-IO	PA 10564-LO	Orange	605	2.1	70
PA 10564-IR	PA 10564-LR	Red	630	2.1	26
PA 10564-IRA	PA 10564-LRA	Super Bright Red	625	2.1	100

Package Dimension / Internal Circuit

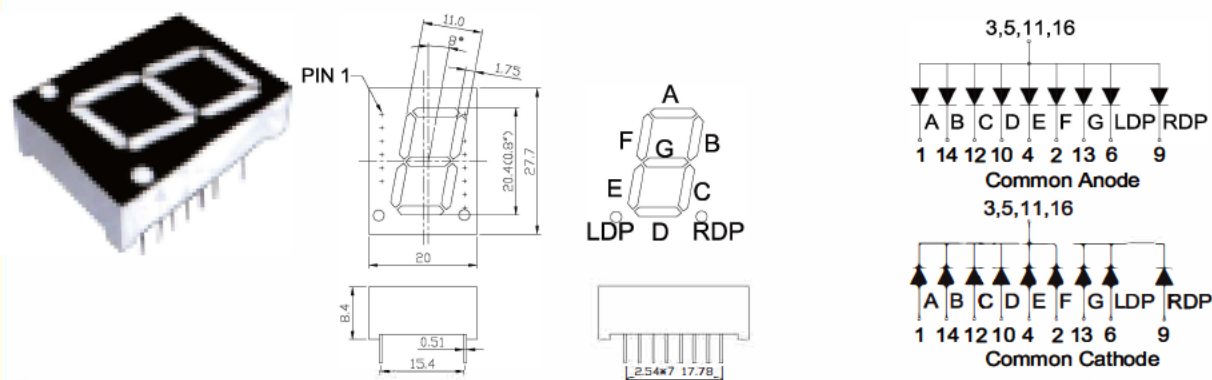
0.60" Single digit display



Part Number		Color	Wavelength(nm) λ D @ IF=20mA	V _r (V) @ IF=20mA	I _v (mcd) @ IF=20mA
Common Anode	Common Cathode				
PA10601-IW	PA10601-LW	White	10000K	3.1	65
PA10601-IB	PA10601-LB	Blue	465	3.1	50
PA10601-IG	PA10601-LG	Pure Green	525	3.1	200
PA10601-IYG	PA10601-LYG	Yellow Green	571	2.1	12
PA10601-IY	PA10601-LY	Yellow	590	2.1	60
PA10601-IO	PA10601-LO	Orange	605	2.1	70
PA10601-IR	PA10601-LR	Red	630	2.1	26
PA10601-IRA	PA10601-LRA	Super Bright Red	625	2.1	100

Package Dimension / Internal Circuit

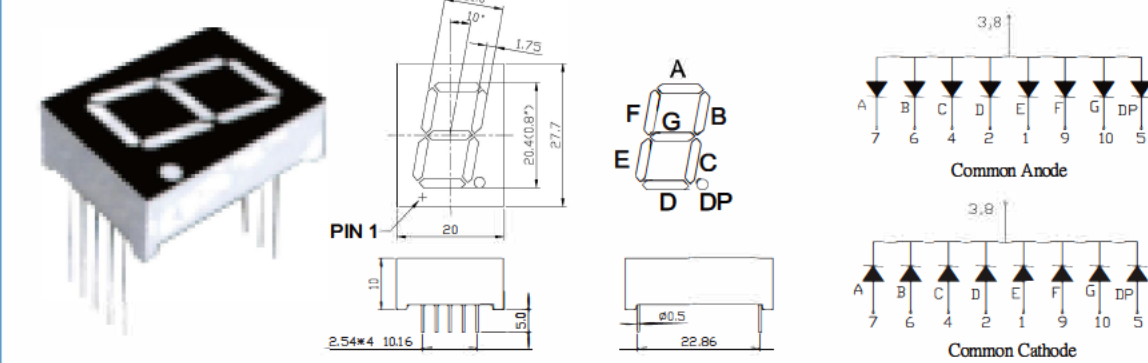
0.80" Single digit display



Part Number		Color	Wavelength(nm) λ D @ IF=20mA	V _r (V) @ IF=20mA	I _v (mcd) @ IF=20mA
Common Anode	Common Cathode				
PA10801-IW	PA10801-LW	White	10000K	3.1	65
PA10801-IB	PA10801-LB	Blue	465	3.1	50
PA10801-IG	PA10801-LG	Pure Green	525	3.1	200
PA10801-IYG	PA10801-LYG	Yellow Green	571	2.1	12
PA10801-IY	PA10801-LY	Yellow	590	2.1	60
PA10801-IO	PA10801-LO	Orange	605	2.1	70
PA10801-IR	PA10801-LR	Red	630	2.1	26
PA10801-IRA	PA10801-LRA	Super Bright Red	625	2.1	100

Package Dimension / Internal Circuit

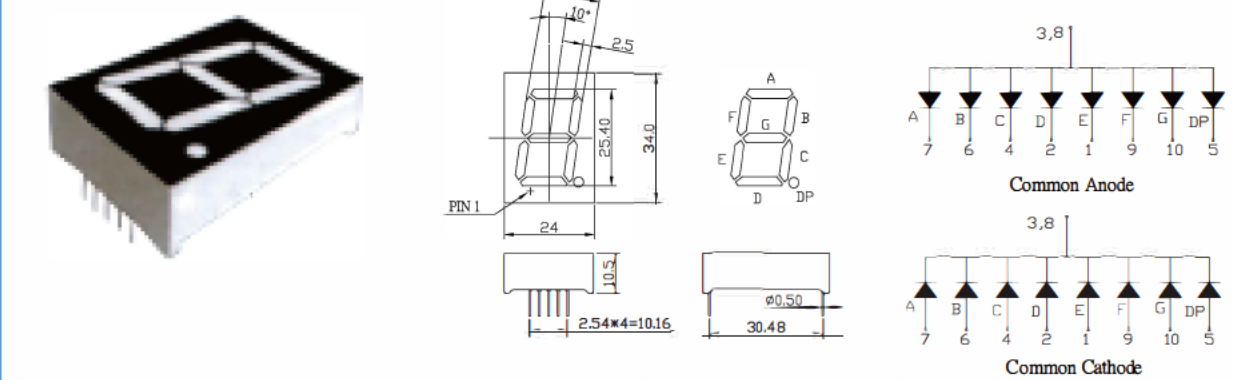
0.80" Single digit display



Part Number		Color	Wavelength(nm) λ D @ IF=20mA	V _r (V) @ IF=20mA	I _v (mcd) @ IF=20mA
Common Anode	Common Cathode				
PA10802-IW	PA10802-LW	White	10000K	3.1	65
PA10802-IB	PA10802-LB	Blue	465	3.1	50
PA10802-IG	PA10802-LG	Pure Green	525	3.1	200
PA10802-IYG	PA10802-LYG	Yellow Green	571	2.1	12
PA10802-IY	PA10802-LY	Yellow	590	2.1	60
PA10802-IO	PA10802-LO	Orange	605	2.1	70
PA10802-IR	PA10802-LR	Red	630	2.1	26
PA10802-IRA	PA10802-LRA	Super Bright Red	625	2.1	100

Package Dimension / Internal Circuit

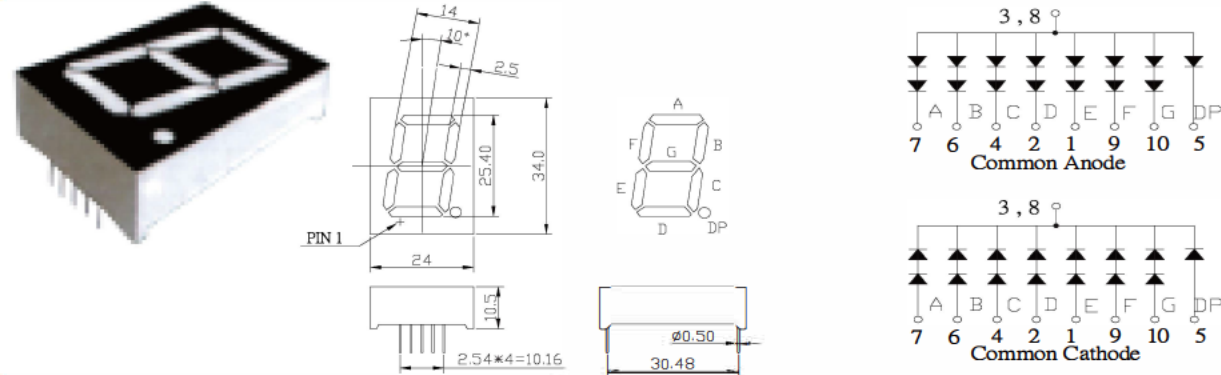
1.0" Single digit display



Part Number		Color	Wavelength(nm) λ D @ IF=20mA	V _r (V) @ IF=20mA	I _v (mcd) @ IF=20mA
Common Anode	Common Cathode				
PA11007-IW	PA11007-LW	White	10000K	3.1	65
PA11007-IB	PA11007-LB	Blue	465	3.1	50
PA11007-IG	PA11007-LG	Pure Green	525	3.1	200
PA11007-IYG	PA11007-LYG	Yellow Green	571	2.1	12
PA11007-IY	PA11007-LY	Yellow	590	2.1	60
PA11007-IO	PA11007-LO	Orange	605	2.1	70
PA11007-IR	PA11007-LR	Red	630	2.1	26
PA11007-IRA	PA11007-LRA	Super Bright Red	625	2.1	100

Package Dimension / Internal Circuit

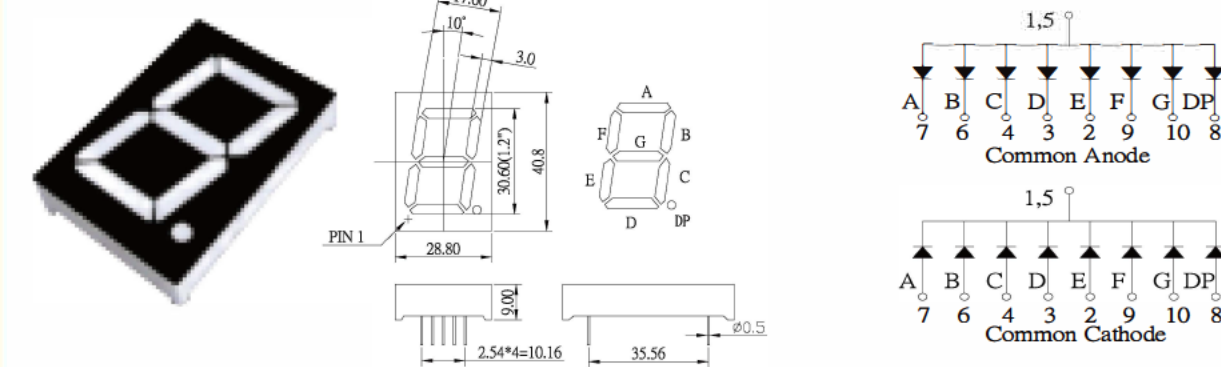
1.0" Single digit display



Part Number		Color	Wavelength(nm) λ D @ IF=20mA	V _F (V) @ IF=20mA	I _v (mcd) @ IF=20mA
Common Anode	Common Cathode				
PA11004-IW	PA11004-LW	White	10000K	6.2(3.1)	65
PA11004-IB	PA11004-LB	Blue	465	6.2(3.1)	50
PA11004-IG	PA11004-LG	Pure Green	525	6.2(3.1)	200
PA11004-IYG	PA11004-LYG	Yellow Green	571	4.2(2.1)	12
PA11004-IY	PA11004-LY	Yellow	590	4.2(2.1)	60
PA11004-IO	PA11004-LO	Orange	605	4.2(2.1)	70
PA11004-IR	PA11004-LR	Red	630	4.2(2.1)	26
PA11004-IRA	PA11004-LRA	Super Bright Red	625	4.2(2.1)	100

Package Dimension / Internal Circuit

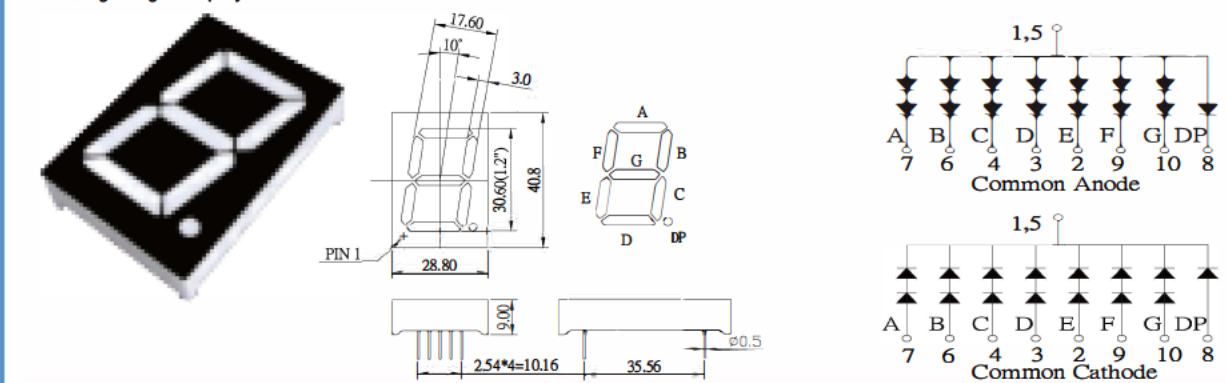
1.2" Single digit display



Part Number		Color	Wavelength(nm) λ D @ IF=20mA	V _F (V) @ IF=20mA	I _v (mcd) @ IF=20mA
Common Anode	Common Cathode				
PA11202-IW	PA11202-LW	White	10000K	3.1	65
PA11202-IB	PA11202-LB	Blue	465	3.1	50
PA11202-IG	PA11202-LG	Pure Green	525	3.1	200
PA11202-IYG	PA11202-LYG	Yellow Green	571	2.1	12
PA11202-IY	PA11202-LY	Yellow	590	2.1	60
PA11202-IO	PA11202-LO	Orange	605	2.1	70
PA11202-IR	PA11202-LR	Red	630	2.1	26
PA11202-IRA	PA11202-LRA	Super Bright Red	625	2.1	100

Package Dimension / Internal Circuit

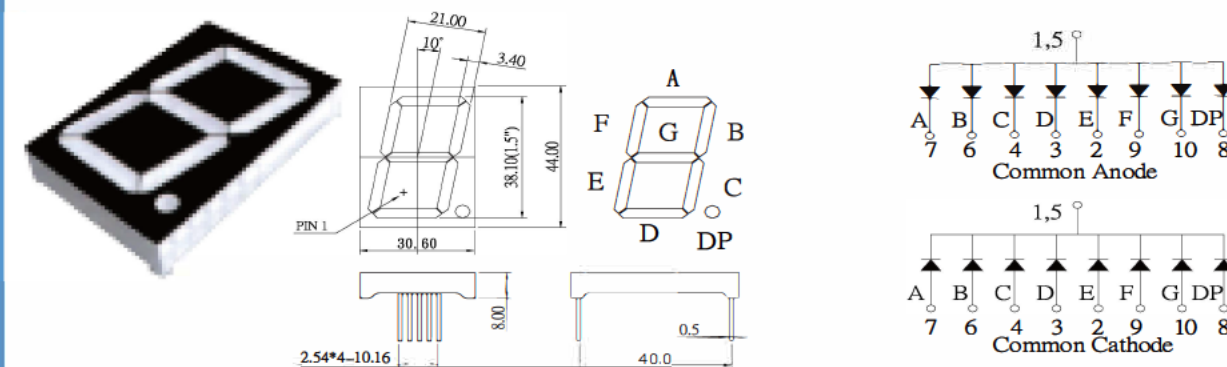
1.2" Single digit display



Part Number		Color	Wavelength(nm) λ D @ IF=20mA	V _F (V) @ IF=20mA	I _v (mcd) @ IF=20mA
Common Anode	Common Cathode				
PA11201-IW	PA11201-LW	White	10000K	6.2(3.1)	65
PA11201-IB	PA11201-LB	Blue	465	6.2(3.1)	50
PA11201-IG	PA11201-LG	Pure Green	525	6.2(3.1)	200
PA11201-IYG	PA11201-LYG	Yellow Green	571	4.2(2.1)	12
PA11201-IY	PA11201-LY	Yellow	590	4.2(2.1)	60
PA11201-IO	PA11201-LO	Orange	605	4.2(2.1)	70
PA11201-IR	PA11201-LR	Red	630	4.2(2.1)	26
PA11201-IRA	PA11201-LRA	Super Bright Red	625	4.2(2.1)	100

Package Dimension / Internal Circuit

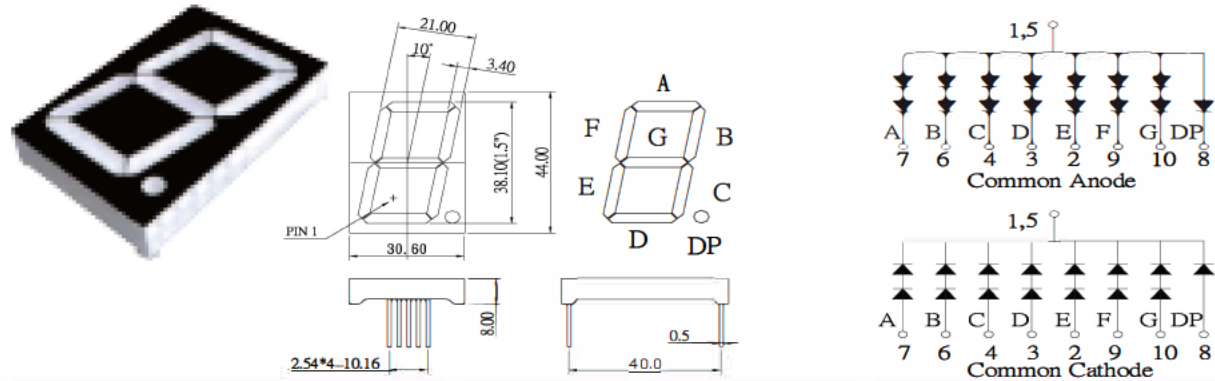
1.5" Single digit display



Part Number		Color	Wavelength(nm) λ D @ IF=20mA	V _F (V) @ IF=20mA	I _v (mcd) @ IF=20mA
Common Anode	Common Cathode				
PA11504-IW	PA11504-LW	White	10000K	3.1	65
PA11504-IB	PA11504-LB	Blue	465	3.1	50
PA11504-IG	PA11504-LG	Pure Green	525	3.1	200
PA11504-IYG	PA11504-LYG	Yellow Green	571	2.1	12
PA11504-IY	PA11504-LY	Yellow	590	2.1	60
PA11504-IO	PA11504-LO	Orange	605	2.1	70
PA11504-IR	PA11504-LR	Red	630	2.1	26
PA11504-IRA	PA11504-LRA	Super Bright Red	625	2.1	100

Package Dimension / Internal Circuit

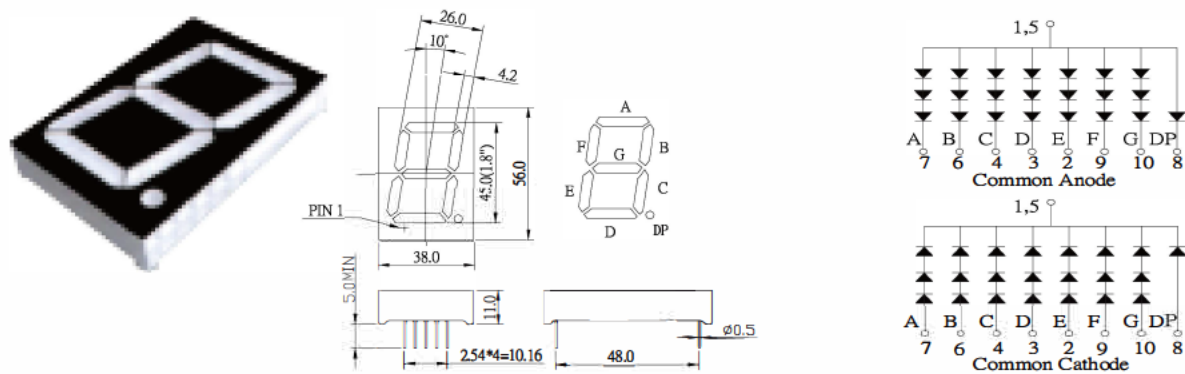
1.5" Single digit display



Part Number		Color	Wavelength(nm) λ D @ IF=20mA	V _F (V) @ IF=20mA	I _v (mcd) @ IF=20mA
Common Anode	Common Cathode				
PA11501 IW	PA11501 LW	White	10000K	6.2(3.1)	65
PA11501 IB	PA11501 LB	Blue	465	6.2(3.1)	50
PA11501 IG	PA11501 LG	Pure Green	525	6.2(3.1)	200
PA11501 IYG	PA11501 LYG	Yellow Green	571	4.2(2.1)	12
PA11501 IY	PA11501 LY	Yellow	590	4.2(2.1)	60
PA11501 IO	PA11501 LO	Orange	605	4.2(2.1)	70
PA11501 IR	PA11501 LR	Red	630	4.2(2.1)	26
PA11501 IRA	PA11501 LRA	Super Bright Red	625	4.2(2.1)	100

Package Dimension / Internal Circuit

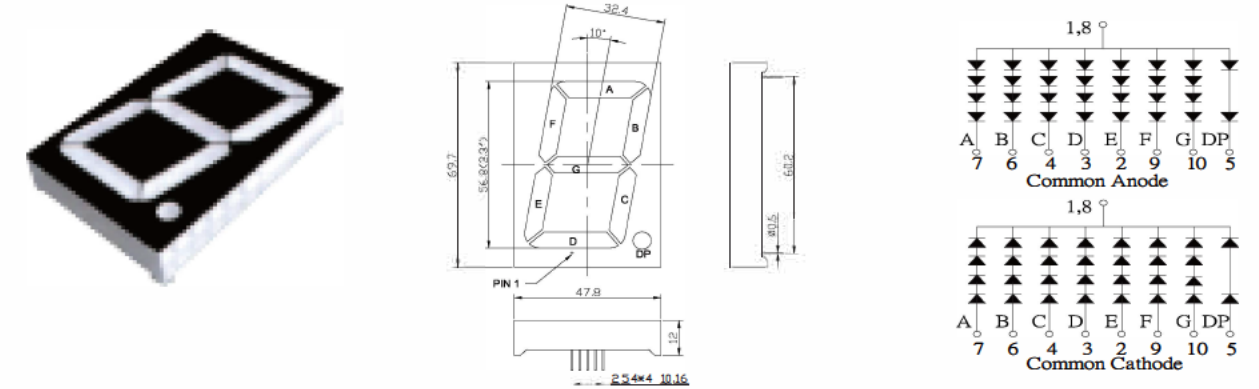
1.8" Single digit display



Part Number		Color	Wavelength(nm) λ D @ IF=20mA	V _F (V) @ IF=20mA	I _v (mcd) @ IF=20mA
Common Anode	Common Cathode				
PA11801 IW	PA11801 LW	White	10000K	9.2(3.1)	65
PA11801 IB	PA11801 LB	Blue	465	9.2(3.1)	50
PA11801 IG	PA11801 LG	Pure Green	525	9.2(3.1)	200
PA11801 IYG	PA11801 LYG	Yellow Green	571	9.2(2.1)	12
PA11801 IY	PA11801 LY	Yellow	590	6.2(2.1)	60
PA11801 IO	PA11801 LO	Orange	605	6.2(2.1)	70
PA11801 IR	PA11801 LR	Red	630	6.2(2.1)	26
PA11801 IRA	PA11801 LRA	Super Bright Red	625	6.2(2.1)	100

Package Dimension / Internal Circuit

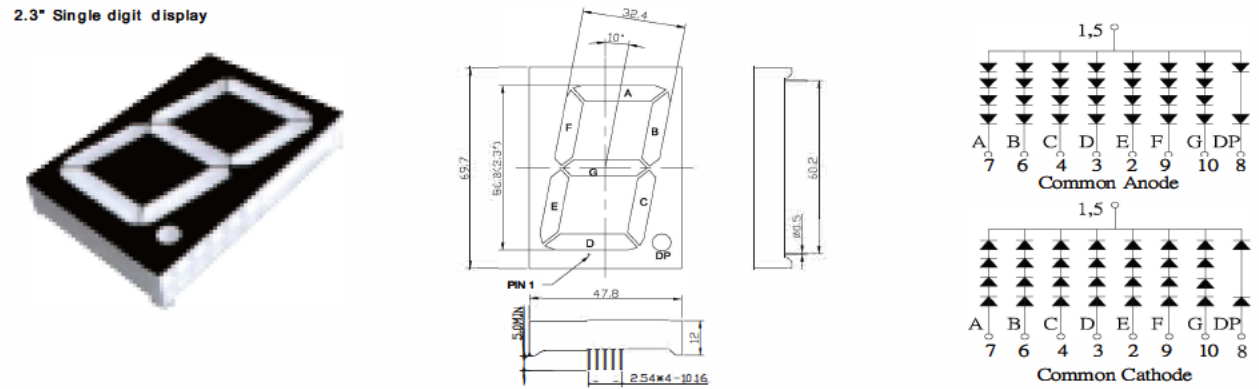
2.3" Single digit display



Part Number		Color	Wavelength(nm) λ D @ IF=20mA	V _F (V) @ IF=20mA	I _v (mcd) @ IF=20mA
Common Anode	Common Cathode				
PA12304 IW	PA12304 LW	White	10000K	12.2(6.2)	65
PA12304 IB	PA12304 LB	Blue	465	12.2(6.2)	50
PA12304 IG	PA12304 LG	Pure Green	525	12.2(6.2)	200
PA12304 IYG	PA12304 LYG	Yellow Green	571	8.2(4.2)	12
PA12304 IY	PA12304 LY	Yellow	590	8.2(4.2)	60
PA12304 IO	PA12304 LO	Orange	605	8.2(4.2)	70
PA12304 IR	PA12304 LR	Red	630	8.2(4.2)	26
PA12304 IRA	PA12304 LRA	Super Bright Red	625	8.2(4.2)	100

Package Dimension / Internal Circuit

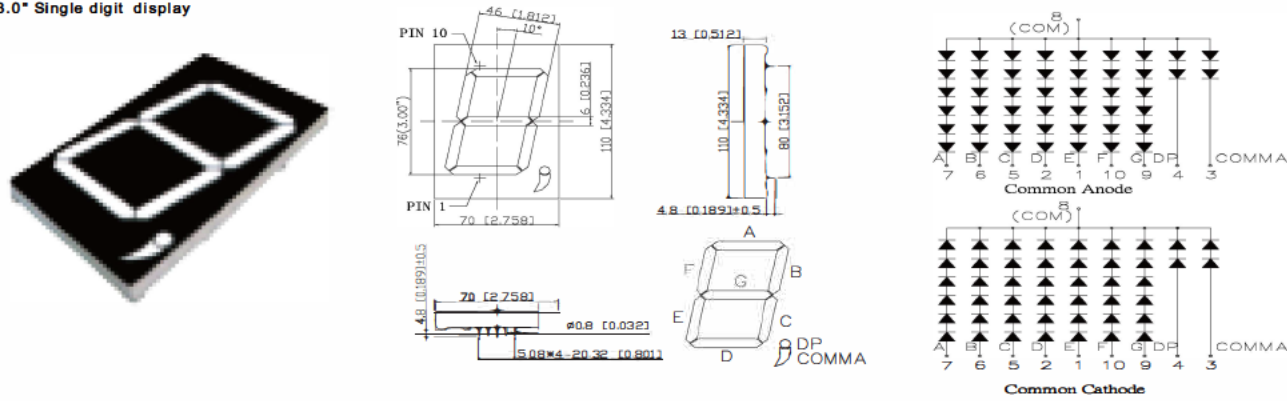
2.3" Single digit display



Part Number		Color	Wavelength(nm) λ D @ IF=20mA	V _F (V) @ IF=20mA	I _v (mcd) @ IF=20mA
Common Anode	Common Cathode				
PA12302 IW	PA12302 LW	White	10000K	12.2(6.2)	65
PA12302 IB	PA12302 LB	Blue	465	12.2(6.2)	50
PA12302 IG	PA12302 LG	Pure Green	525	12.2(6.2)	200
PA12302 IYG	PA12302 LYG	Yellow Green	571	8.2(4.2)	12
PA12302 IY	PA12302 LY	Yellow	590	8.2(4.2)	60
PA12302 IO	PA12302 LO	Orange	605	8.2(4.2)	70
PA12302 IR	PA12302 LR	Red	630	8.2(4.2)	26
PA12302 IRA	PA12302 LRA	Super Bright Red	625	8.2(4.2)	100

Package Dimension / Internal Circuit

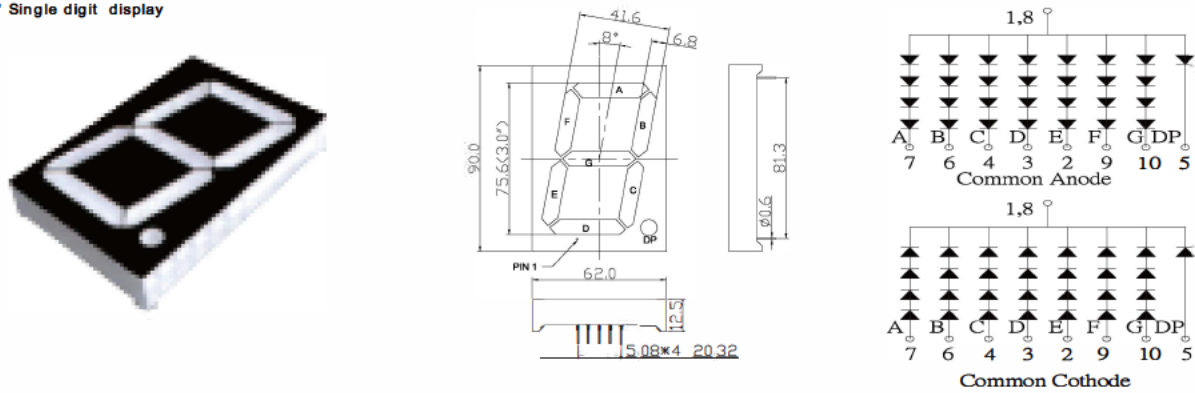
3.0" Single digit display



Part Number		Color	Wavelength(nm) λ D @ IF=20mA	V _F (V) @ IF=20mA	I _v (mcd) @ IF=20mA
Common Anode	Common Cathode				
PA13001-IW	PA13001-LW	White	10000K	18.6(6.2)	65
PA13001-IB	PA13001-LB	Blue	465	18.6(6.2)	50
PA13001-IG	PA13001-LG	Pure Green	525	18.6(6.2)	200
PA13001-IYG	PA13001-LYG	Yellow Green	571	12(4)	12
PA13001-IY	PA13001-LY	Yellow	590	12(4)	60
PA13001-IO	PA13001-LO	Orange	605	12(4)	70
PA13001-IR	PA13001-LR	Red	630	12(4)	26
PA13001-IRA	PA13001-LRA	Super Bright Red	625	12(4)	100

Package Dimension / Internal Circuit

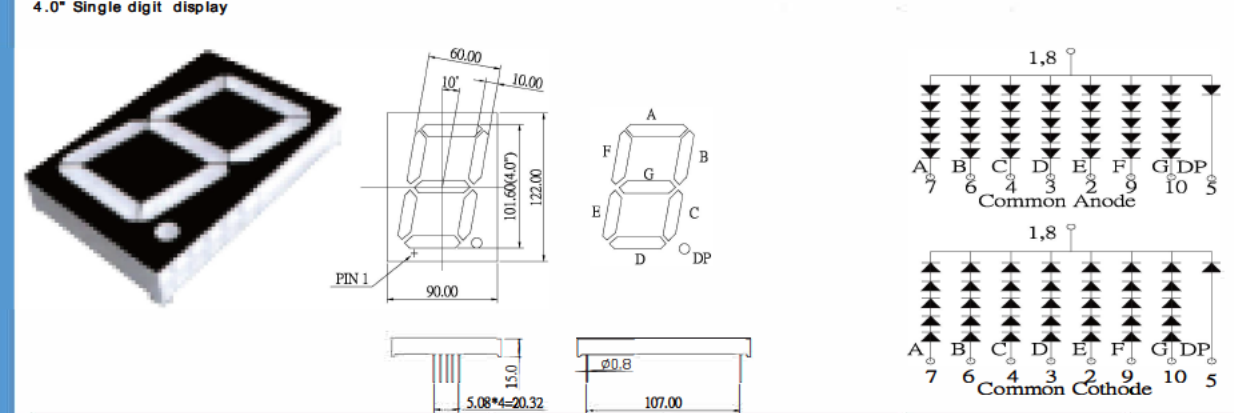
3.0" Single digit display



Part Number		Color	Wavelength(nm) λ D @ IF=20mA	V _F (V) @ IF=20mA	I _v (mcd) @ IF=20mA
Common Anode	Common Cathode				
PA13006-IW	PA13006-LW	White	10000K	12.2(3.1)	65
PA13006-IB	PA13006-LB	Blue	465	12.2(3.1)	50
PA13006-IG	PA13006-LG	Pure Green	525	12.2(3.1)	200
PA13006-IYG	PA13006-LYG	Yellow Green	571	8.2(2.1)	12
PA13006-IY	PA13006-LY	Yellow	590	8.2(2.1)	60
PA13006-IO	PA13006-LO	Orange	605	8.2(2.1)	70
PA13006-IR	PA13006-LR	Red	630	8.2(2.1)	26
PA13006-IRA	PA13006-LRA	Super Bright Red	625	8.2(2.1)	100

Package Dimension / Internal Circuit

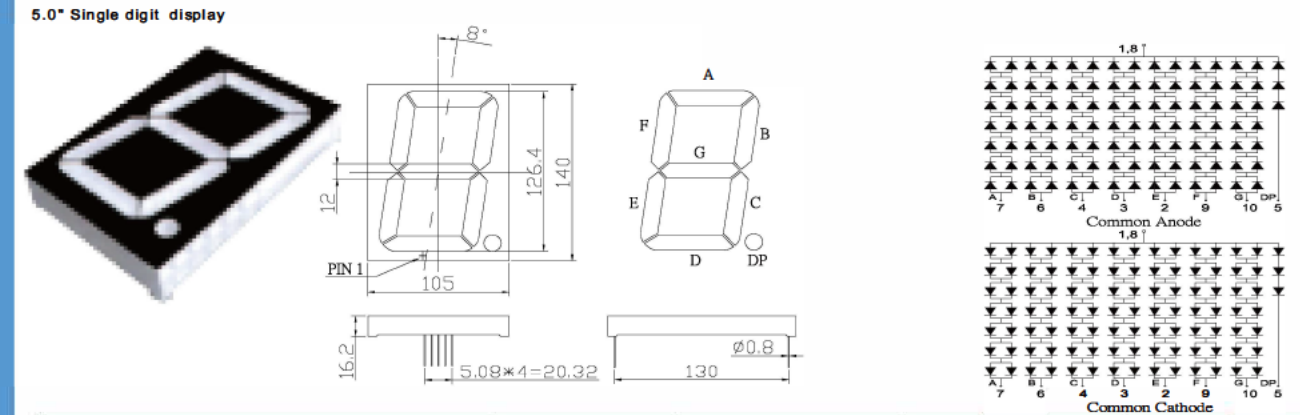
4.0" Single digit display



Part Number		Color	Wavelength(nm) λ D @ IF=20mA	V _F (V) @ IF=20mA	I _v (mcd) @ IF=20mA
Common Anode	Common Cathode				
PA14003-IW	PA14003-LW	White	10000K	15.5(3.1)	65
PA14003-IB	PA14003-LB	Blue	465	15.5(3.1)	50
PA14003-IG	PA14003-LG	Pure Green	525	15.5(3.1)	200
PA14003-IYG	PA14003-LYG	Yellow Green	571	10.5(2.1)	12
PA14003-IY	PA14003-LY	Yellow	590	10.5(2.1)	60
PA14003-IO	PA14003-LO	Orange	605	10.5(2.1)	70
PA14003-IR	PA14003-LR	Red	630	10.5(2.1)	26
PA14003-IRA	PA14003-LRA	Super Bright Red	625	10.5(2.1)	100

Package Dimension / Internal Circuit

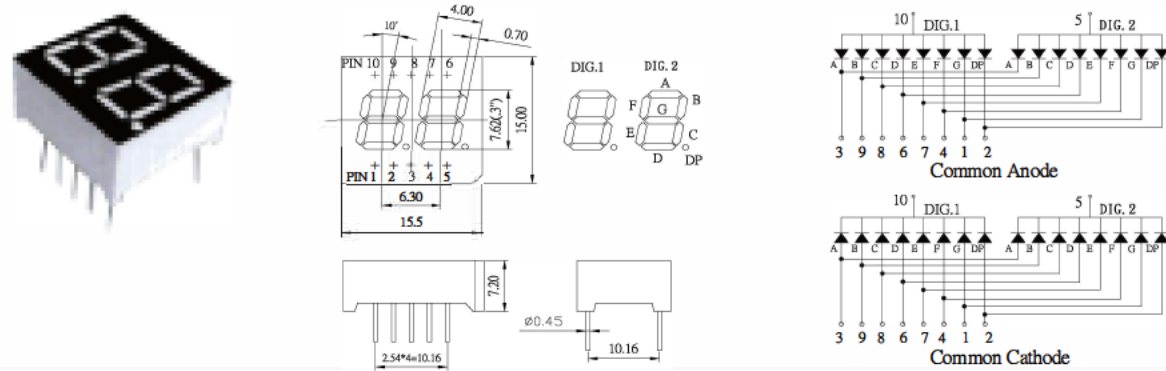
5.0" Single digit display



Part Number		Color	Wavelength(nm) λ D @ IF=20mA	V _F (V) @ IF=20mA	I _v (mcd) @ IF=40mA (DP:IF=20mA)
Common Anode	Common Cathode				
PA15001-IW	PA15001-LW	White	10000K	12.2(3.1)	65
PA15001-IB	PA15001-LB	Blue	465	12.2(3.1)	50
PA15001-IG	PA15001-LG	Pure Green	525	12.2(3.1)	200
PA15001-IYG	PA15001-LYG	Yellow Green	571	8.2(2.1)	12
PA15001-IY	PA15001-LY	Yellow	590	8.2(2.1)	60
PA15001-IO	PA15001-LO	Orange	605	8.2(2.1)	70
PA15001-IR	PA15001-LR	Red	630	8.2(2.1)	26
PA15001-IRA	PA15001-LRA	Super Bright Red	625	8.2(2.1)	100

Package Dimension / Internal Circuit

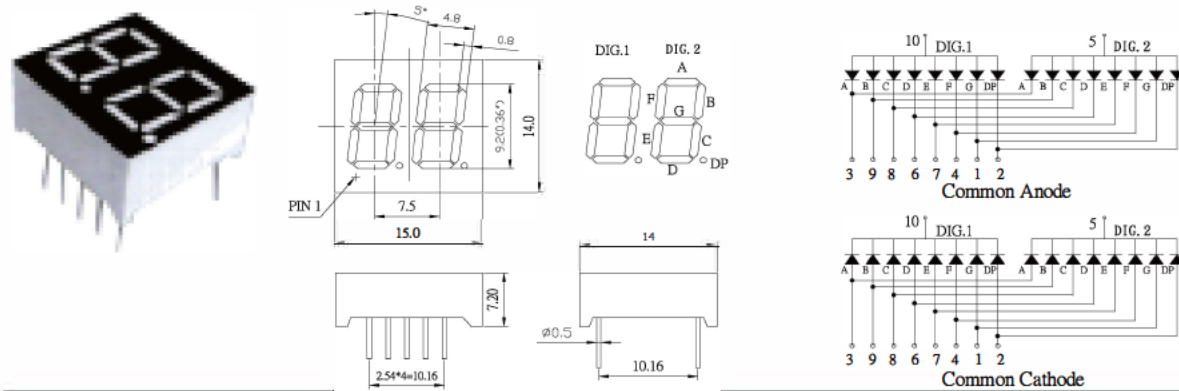
0.30" Dual digits display



Part Number		Color	Wavelength(nm) λ D @ IF=20mA	V _F (V) @ IF=20mA	I _v (mcd) @ IF=20mA
Common Anode	Common Cathode				
PA20301-IW	PA20301-LW	White	10000K	3.1	65
PA20301-IB	PA20301-LB	Blue	465	3.1	50
PA20301-IG	PA20301-LG	Pure Green	525	3.1	200
PA20301-IYG	PA20301-LYG	Yellow Green	571	2.1	12
PA20301-IY	PA20301-LY	Yellow	590	2.1	60
PA20301-IO	PA20301-LO	Orange	605	2.1	70
PA20301-IR	PA20301-LR	Red	630	2.1	26
PA20301-IRA	PA20301-LRA	Super Bright Red	625	2.1	100

Package Dimension / Internal Circuit

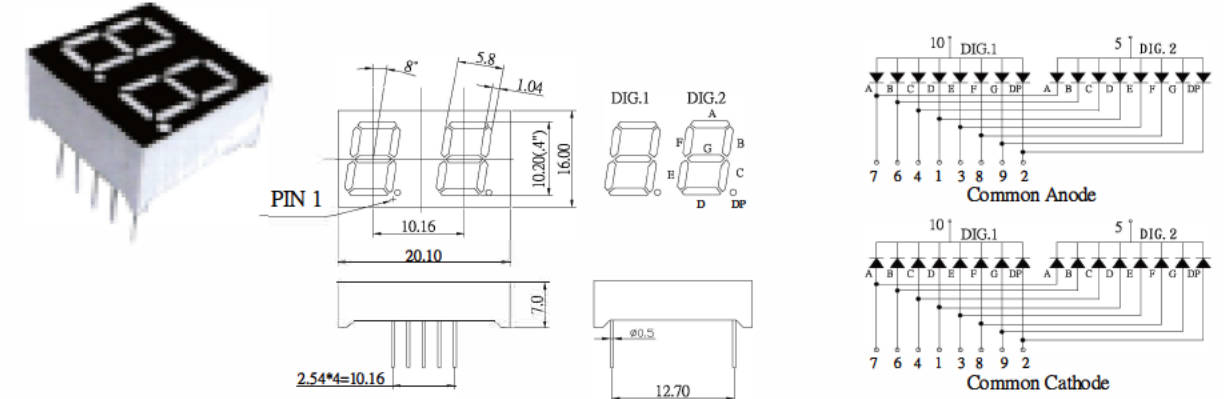
0.36" Dual digits display



Part Number		Color	Wavelength(nm) λ D @ IF=20mA	V _F (V) @ IF=20mA	I _v (mcd) @ IF=20mA
Common Anode	Common Cathode				
PA20361-IW	PA20361-LW	White	10000K	3.1	65
PA20361-IB	PA20361-LB	Blue	465	3.1	50
PA20361-IG	PA20361-LG	Pure Green	525	3.1	200
PA20361-IYG	PA20361-LYG	Yellow Green	571	2.1	12
PA20361-IY	PA20361-LY	Yellow	590	2.1	60
PA20361-IO	PA20361-LO	Orange	605	2.1	70
PA20361-IR	PA20361-LR	Red	630	2.1	26
PA20361-IRA	PA20361-LRA	Super Bright Red	625	2.1	100

Package Dimension / Internal Circuit

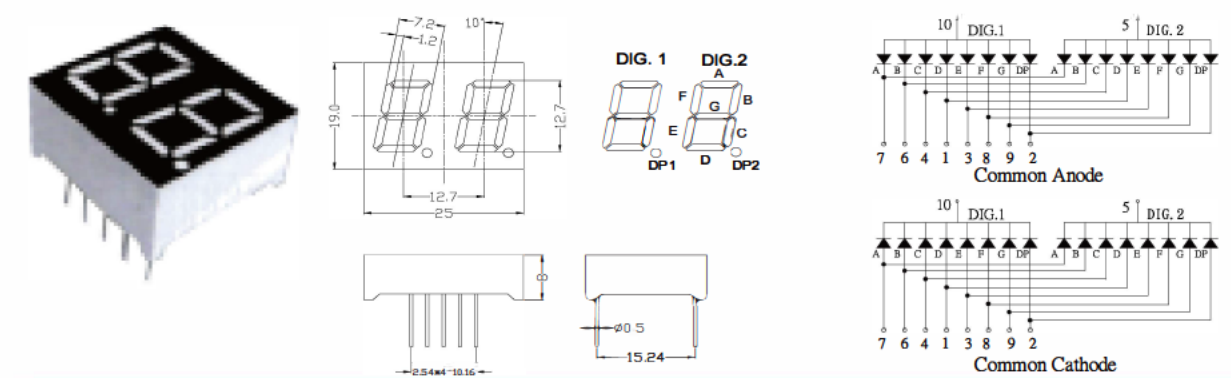
0.40" Dual digits display



Part Number		Color	Wavelength(nm) λ D @ IF=20mA	V _F (V) @ IF=20mA	I _v (mcd) @ IF=20mA
Common Anode	Common Cathode				
PA20402-IW	PA20402-LW	White	10000K	3.1	65
PA20402-IB	PA20402-LB	Blue	465	3.1	50
PA20402-IG	PA20402-LG	Pure Green	525	3.1	200
PA20402-IYG	PA20402-LYG	Yellow Green	571	2.1	12
PA20402-IY	PA20402-LY	Yellow	590	2.1	60
PA20402-IO	PA20402-LO	Orange	605	2.1	70
PA20402-IR	PA20402-LR	Red	630	2.1	26
PA20402-IRA	PA20402-LRA	Super Bright Red	625	2.1	100

Package Dimension / Internal Circuit

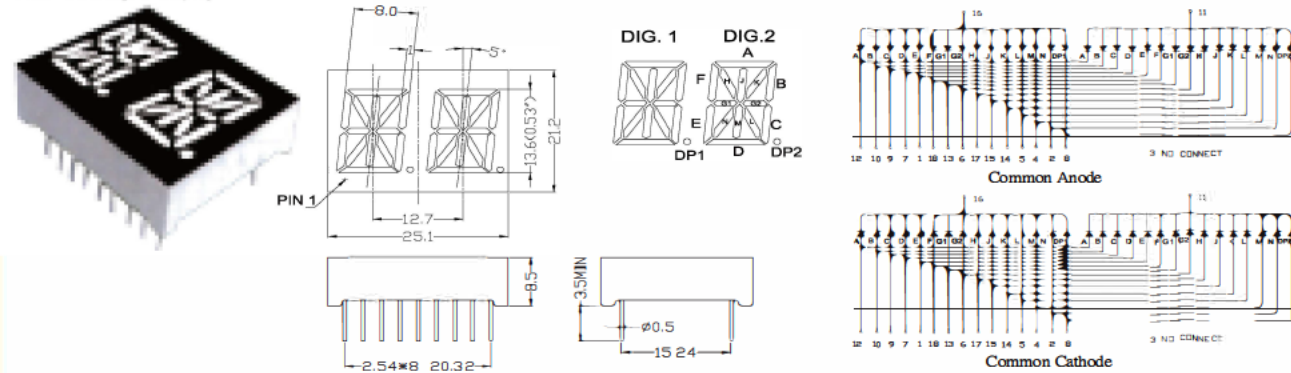
0.50" Dual digits display



Part Number		Color	Wavelength(nm) λ D @ IF=20mA	V _F (V) @ IF=20mA	I _v (mcd) @ IF=20mA
Common Anode	Common Cathode				
PA20503-IW	PA20503-LW	White	10000K	3.1	65
PA20503-IB	PA20503-LB	Blue	465	3.1	50
PA20503-IG	PA20503-LG	Pure Green	525	3.1	200
PA20503-IYG	PA20503-LYG	Yellow Green	571	2.1	12
PA20503-IY	PA20503-LY	Yellow	590	2.1	60
PA20503-IO	PA20503-LO	Orange	605	2.1	70
PA20503-IR	PA20503-LR	Red	630	2.1	26
PA20503-IRA	PA20503-LRA	Super Bright Red	625	2.1	100

Package Dimension / Internal Circuit

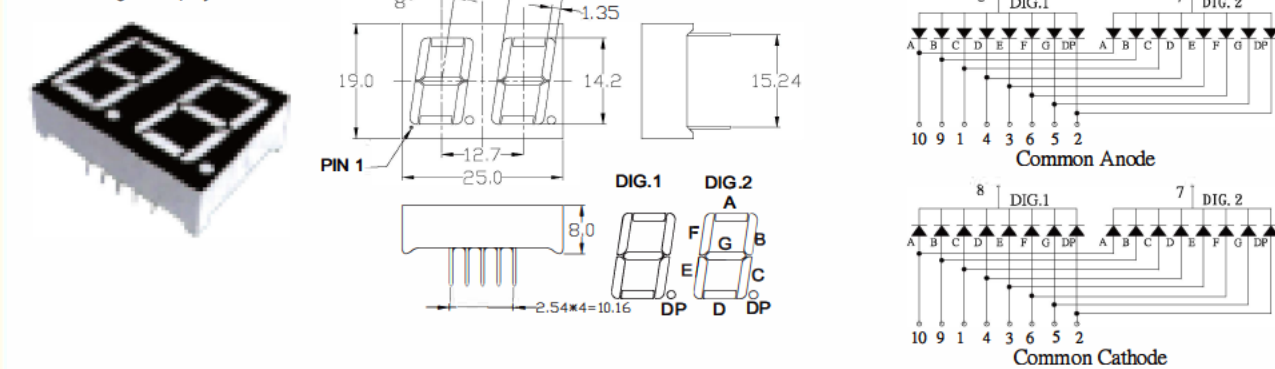
0.53" Dual digits display



Part Number		Color	Wavelength(nm) λ D @ IF=20mA	V _r (V) @ IF=20mA	I _v (mcd) @ IF=20mA
Common Anode	Common Cathode				
PA20531-IW	PA20531-LW	White	10000K	3.1	65
PA20531-IB	PA20531-LB	Blue	465	3.1	50
PA20531-IG	PA20531-LG	Pure Green	525	3.1	200
PA20531-IYG	PA20531-LYG	Yellow Green	571	2.1	12
PA20531-IY	PA20531-LY	Yellow	590	2.1	60
PA20531-IO	PA20531-LO	Orange	605	2.1	70
PA20531-IR	PA20531-LR	Red	630	2.1	26
PA20531-IRA	PA20531-LRA	Super Bright Red	625	2.1	100

Package Dimension / Internal Circuit

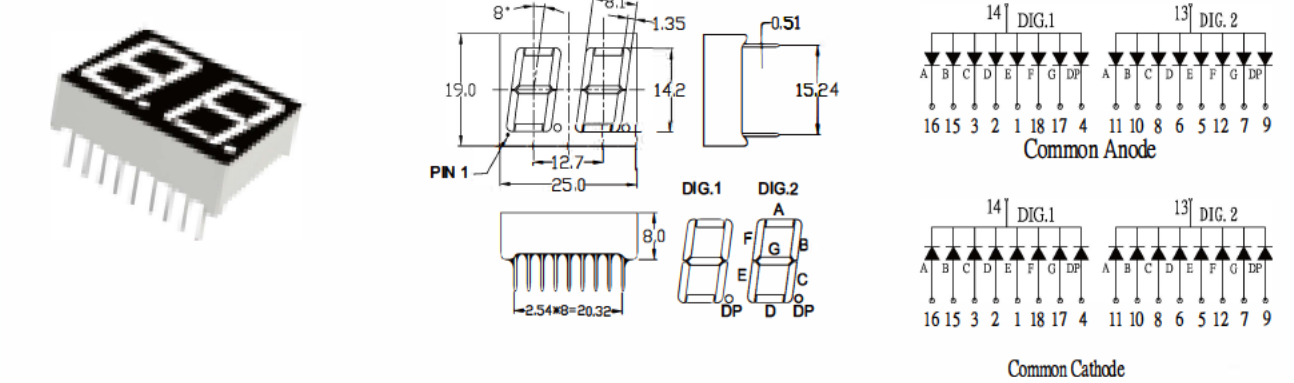
0.56" Dual digits display



Part Number		Color	Wavelength(nm) λ D @ IF=20mA	V _r (V) @ IF=20mA	I _v (mcd) @ IF=20mA
Common Anode	Common Cathode				
PA20563-IW	PA20563-LW	White	10000K	3.1	65
PA20563-IB	PA20563-LB	Blue	465	3.1	50
PA20563-IG	PA20563-LG	Pure Green	525	3.1	200
PA20563-IYG	PA20563-LYG	Yellow Green	571	2.1	12
PA20563-IY	PA20563-LY	Yellow	590	2.1	60
PA20563-IO	PA20563-LO	Orange	605	2.1	70
PA20563-IR	PA20563-LR	Red	630	2.1	26
PA20563-IRA	PA20563-LRA	Super Bright Red	625	2.1	100

Package Dimension / Internal Circuit

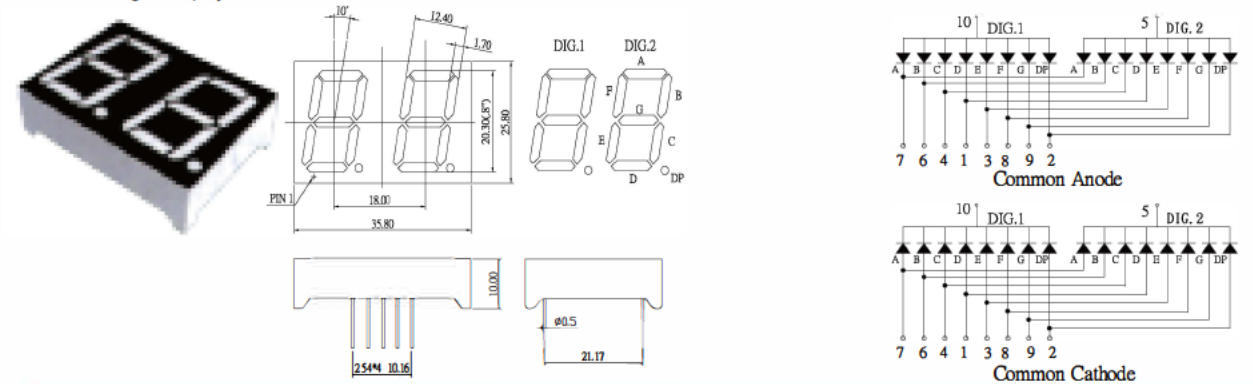
0.56" Dual digits display



Part Number		Color	Wavelength(nm) λ D @ IF=20mA	V _r (V) @ IF=20mA	I _v (mcd) @ IF=20mA
Common Anode	Common Cathode				
PA20561-IW	PA20561-LW	White	10000K	3.1	65
PA20561-IB	PA20561-LB	Blue	465	3.1	50
PA20561-IG	PA20561-LG	Pure Green	525	3.1	200
PA20561-IYG	PA20561-LYG	Yellow Green	571	2.1	12
PA20561-IY	PA20561-LY	Yellow	590	2.1	60
PA20561-IO	PA20561-LO	Orange	605	2.1	70
PA20561-IR	PA20561-LR	Red	630	2.1	26
PA20561-IRA	PA20561-LRA	Super Bright Red	625	2.1	100

Package Dimension / Internal Circuit

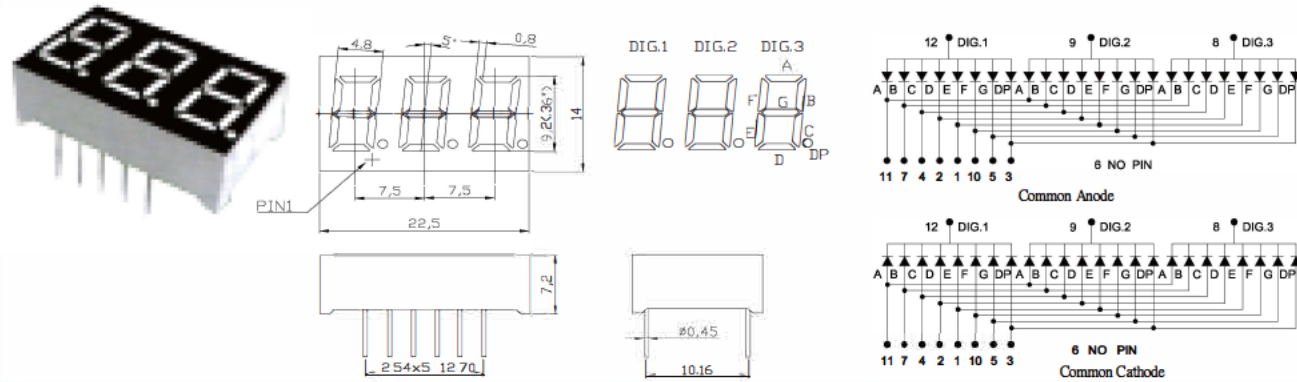
0.80" Dual digits display



Part Number		Color	Wavelength(nm) λ D @ IF=20mA	V _r (V) @ IF=20mA	I _v (mcd) @ IF=20mA
Common Anode	Common Cathode				
PA20802-IW	PA20802-LW	White	10000K	3.1	65
PA20802-IB	PA20802-LB	Blue	465	3.1	50
PA20802-IG	PA20802-LG	Pure Green	525	3.1	200
PA20802-IYG	PA20802-LYG	Yellow Green	571	2.1	12
PA20802-IY	PA20802-LY	Yellow	590	2.1	60
PA20802-IO	PA20802-LO	Orange	605	2.1	70
PA20802-IR	PA20802-LR	Red	630	2.1	26
PA20802-IRA	PA20802-LRA	Super Bright Red	625	2.1	100

Package Dimension / Internal Circuit

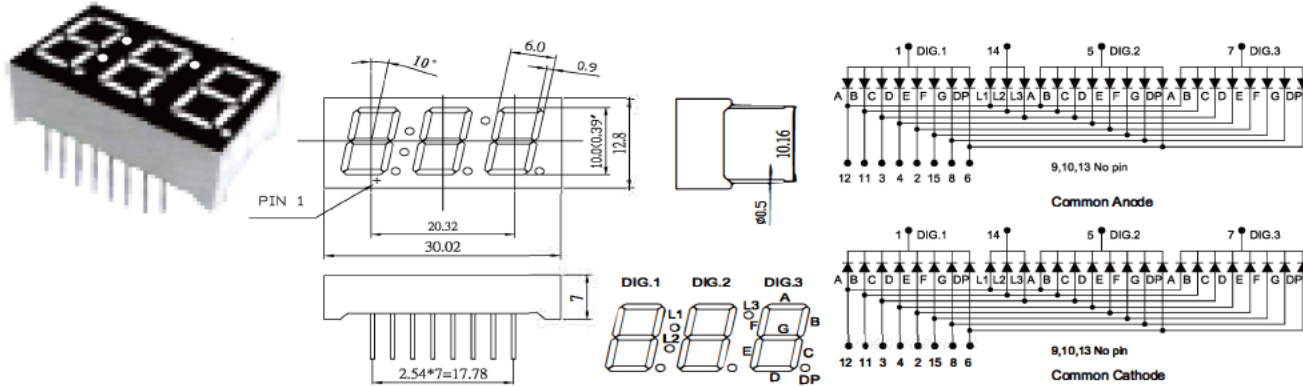
0.36" Three digits display



Part Number		Color	Wavelength(nm) λ D @ IF=20mA	V _F (V) @ IF=20mA	I _v (mcd) @ IF=20mA
Common Anode	Common Cathode				
PA30361-IW	PA30361-LW	White	10000K	3.1	65
PA30361-IB	PA30361-LB	Blue	465	3.1	50
PA30361-IG	PA30361-LG	Pure Green	525	3.1	200
PA30361-IYG	PA30361-LYG	Yellow Green	571	2.1	12
PA30361-IY	PA30361-LY	Yellow	590	2.1	60
PA30361-IO	PA30361-LO	Orange	605	2.1	70
PA30361-IR	PA30361-LR	Red	630	2.1	26
PA30361-IRA	PA30361-LRA	Super Bright Red	625	2.1	100

Package Dimension / Internal Circuit

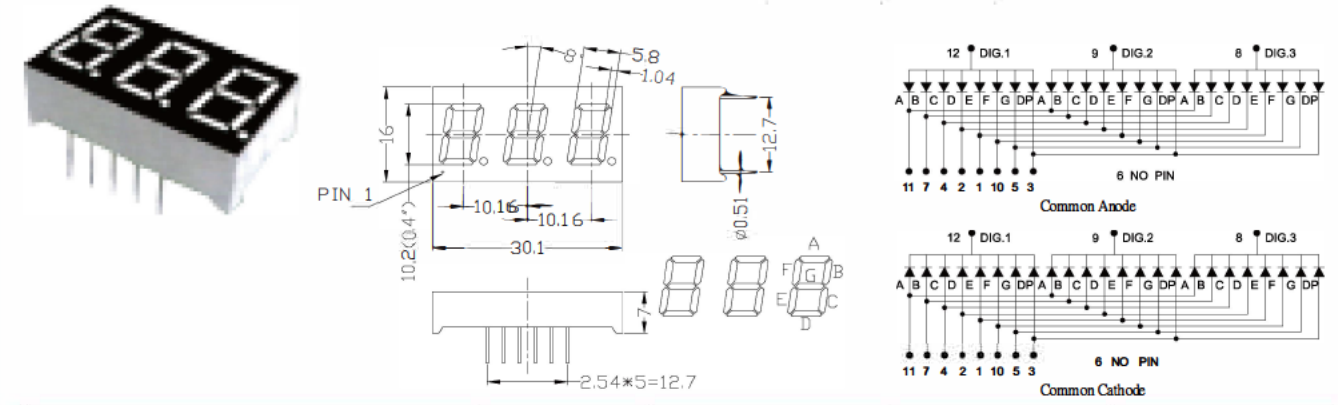
0.39" Three digits display



Part Number		Color	Wavelength(nm) λ D @ IF=20mA	V _F (V) @ IF=20mA	I _v (mcd) @ IF=20mA
Common Anode	Common Cathode				
PA30391-IW	PA30391-LW	White	10000K	3.1	65
PA30391-IB	PA30391-LB	Blue	465	3.1	50
PA30391-IG	PA30391-LG	Pure Green	525	3.1	200
PA30391 IYG	PA30391 LYG	Yellow Green	571	2.1	12
PA30391-IY	PA30391-LY	Yellow	590	2.1	60
PA30391-IO	PA30391-LO	Orange	605	2.1	70
PA30391-IR	PA30391-LR	Red	630	2.1	26
PA30391-IRA	PA30391-LRA	Super Bright Red	625	2.1	100

Package Dimension / Internal Circuit

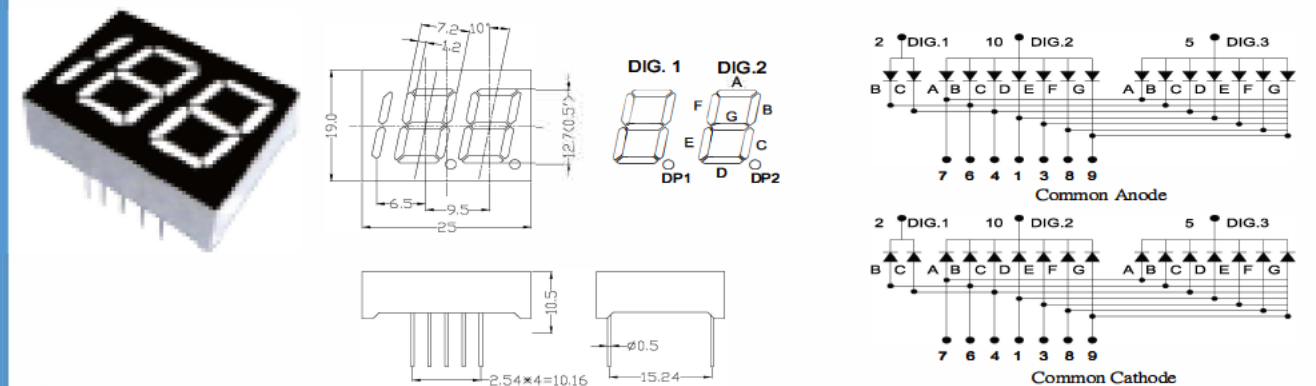
0.40" Three digits display



Part Number		Color	Wavelength(nm) λ D @ IF=20mA	V _F (V) @ IF=20mA	I _v (mcd) @ IF=20mA
Common Anode	Common Cathode				
PA30402 IW	PA30402 LW	White	10000K	3.1	65
PA30402-IB	PA30402-LB	Blue	465	3.1	50
PA30402-IG	PA30402-LG	Pure Green	525	3.1	200
PA30402 IYG	PA30402 LYG	Yellow Green	571	2.1	12
PA30402-IY	PA30402-LY	Yellow	590	2.1	60
PA30402-IO	PA30402-LO	Orange	605	2.1	70
PA30402 IR	PA30402 LR	Red	630	2.1	26
PA30402-IRA	PA30402-LRA	Super Bright Red	625	2.1	100

Package Dimension / Internal Circuit

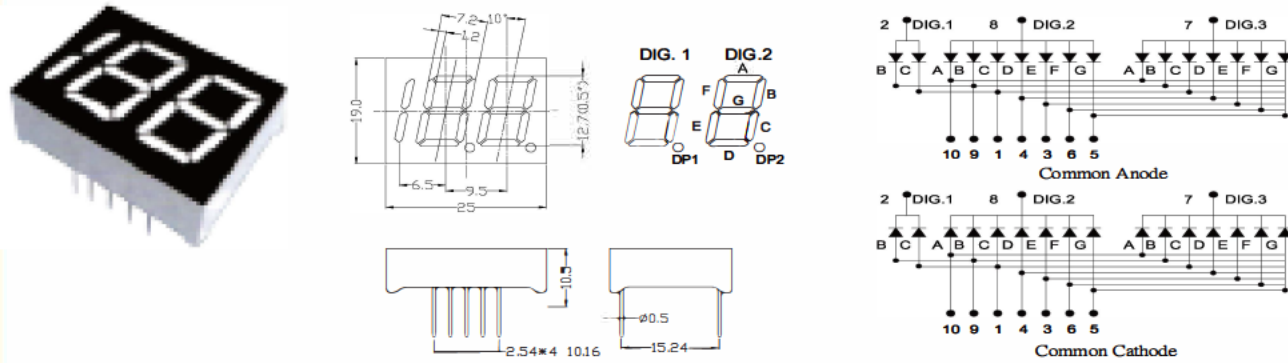
0.50" Three digits display



Part Number		Color	Wavelength(nm) λ D @ IF=20mA	V _F (V) @ IF=20mA	I _v (mcd) @ IF=20mA
Common Anode	Common Cathode				
PA30501-IW	PA30501-LW	White	10000K	3.1	65
PA30501-IB	PA30501-LB	Blue	465	3.1	50
PA30501-IG	PA30501-LG	Pure Green	525	3.1	200
PA30501-IYG	PA30501-LYG	Yellow Green	571	2.1	12
PA30501-IY	PA30501-LY	Yellow	590	2.1	60
PA30501-IO	PA30501-LO	Orange	605	2.1	70
PA30501-IR	PA30501-LR	Red	630	2.1	26
PA30501-IRA	PA30501-LRA	Super Bright Red	625	2.1	100

Package Dimension / Internal Circuit

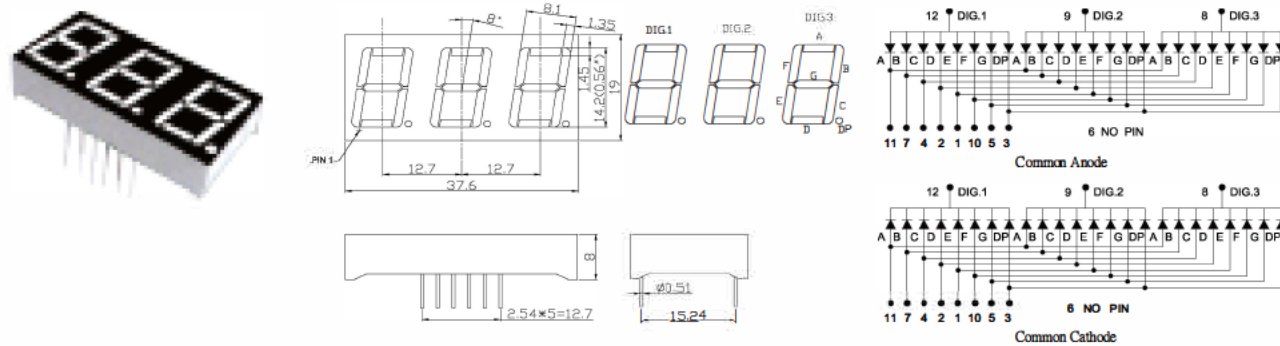
0.50" Three digits display



Part Number		Color	Wavelength(nm) λ D @ IF=20mA	V _F (V) @ IF=20mA	I _v (mcd) @ IF=20mA
Common Anode	Common Cathode				
PA30502-IW	PA30502-LW	White	10000K	3.1	65
PA30502-IB	PA30502-LB	Blue	465	3.1	50
PA30502-IG	PA30502-LG	Pure Green	525	3.1	200
PA30502-IYG	PA30502-LYG	Yellow Green	571	2.1	12
PA30502-IY	PA30502-LY	Yellow	590	2.1	60
PA30502 IO	PA30502 LO	Orange	605	2.1	70
PA30502-IR	PA30502-LR	Red	630	2.1	26
PA30502-IRA	PA30502-LRA	Super Bright Red	625	2.1	100

Package Dimension / Internal Circuit

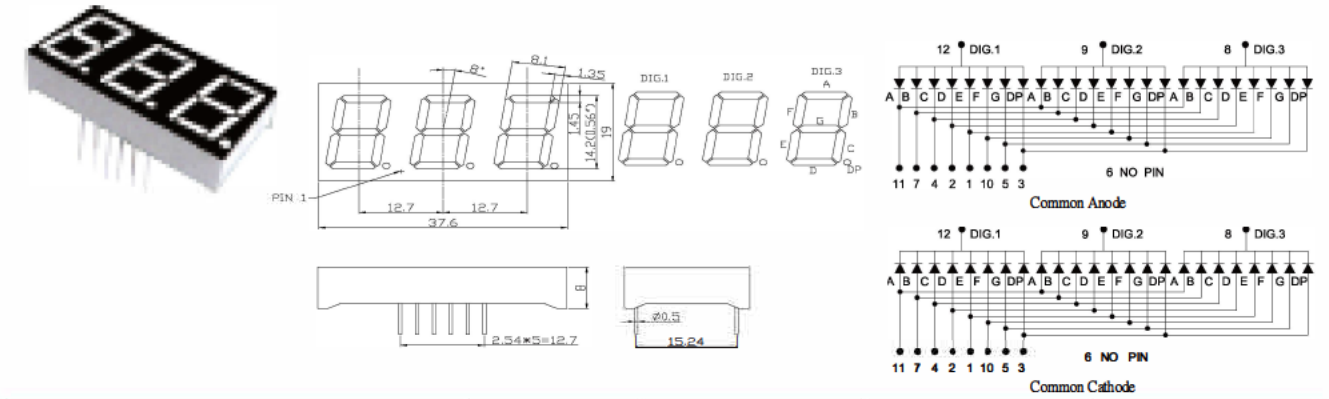
0.56" Three digits display



Part Number		Color	Wavelength(nm) λ D @ IF=20mA	V _F (V) @ IF=20mA	I _v (mcd) @ IF=20mA
Common Anode	Common Cathode				
PA30561 IW	PA30561 LW	White	10000K	3.1	65
PA30561-IB	PA30561-LB	Blue	465	3.1	50
PA30561-IG	PA30561-LG	Pure Green	525	3.1	200
PA30561 IYG	PA30561 LYG	Yellow Green	571	2.1	12
PA30561-IY	PA30561-LY	Yellow	590	2.1	60
PA30561-IO	PA30561-LO	Orange	605	2.1	70
PA30561-IR	PA30561-LR	Red	630	2.1	26
PA30561-IRA	PA30561-LRA	Super Bright Red	625	2.1	100

Package Dimension / Internal Circuit

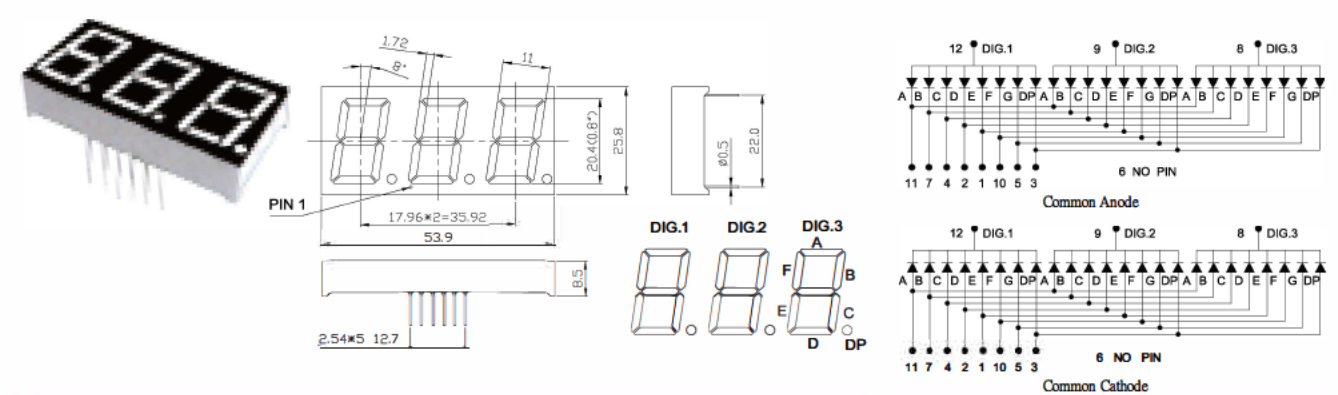
0.56" Three digits display



Part Number		Color	Wavelength(nm) λ D @ IF=20mA	V _F (V) @ IF=20mA	I _v (mcd) @ IF=20mA
Common Anode	Common Cathode				
PA30563-IW	PA30563-LW	White	10000K	3.1	65
PA30563-IB	PA30563-LB	Blue	465	3.1	50
PA30563-IG	PA30563-LG	Pure Green	525	3.1	200
PA30563-IYG	PA30563-LYG	Yellow Green	571	2.1	12
PA30563-IY	PA30563-LY	Yellow	590	2.1	60
PA30563-IO	PA30563-LO	Orange	605	2.1	70
PA30563-IR	PA30563-LR	Red	630	2.1	26
PA30563-IRA	PA30563-LRA	Super Bright Red	625	2.1	100

Package Dimension / Internal Circuit

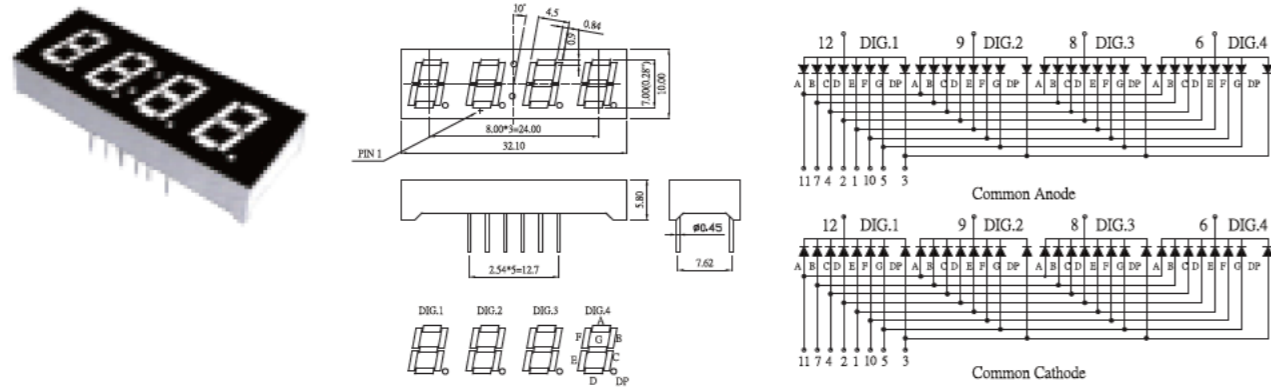
0.80" Three digits display



Part Number		Color	Wavelength(nm) λ D @ IF=20mA	V _F (V) @ IF=20mA	I _v (mcd) @ IF=20mA
Common Anode	Common Cathode				
PA30801-IW	PA30801-LW	White	10000K	3.1	65
PA30801-IB	PA30801-LB	Blue	465	3.1	50
PA30801 IG	PA30801 LG	Pure Green	525	3.1	200
PA30801-IYG	PA30801-LYG	Yellow Green	571	2.1	12
PA30801-IY	PA30801-LY	Yellow	590	2.1	60
PA30801 IO	PA30801 LO	Orange	605	2.1	70
PA30801-IR	PA30801-LR	Red	630	2.1	26
PA30801-IRA	PA30801-LRA	Super Bright Red	625	2.1	100

Package Dimension / Internal Circuit

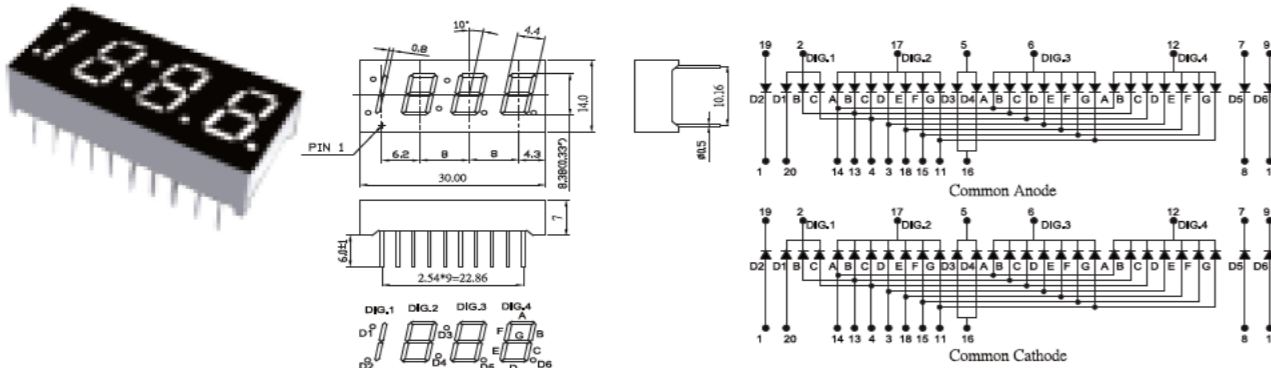
0.28" Four digits display



Part Number		Color	Wavelength(nm) λ D @ IF=20mA	V _F (V) @ IF=20mA	I _v (mcd) @ IF=20mA
Common Anode	Common Cathode				
PA40281-IB	PA40281-LB	Blue	465	3.1	50
PA40281-IG	PA40281-LG	Pure Green	525	3.1	200
PA40281-IYG	PA40281-LYG	Yellow Green	571	2.1	12
PA40281-IY	PA40281-LY	Yellow	590	2.1	60
PA40281 IO	PA40281 LO	Orange	605	2.1	70
PA40281-IR	PA40281-LR	Red	630	2.1	26
PA40281-IRA	PA40281-LRA	Super Bright Red	625	2.1	100

Package Dimension / Internal Circuit

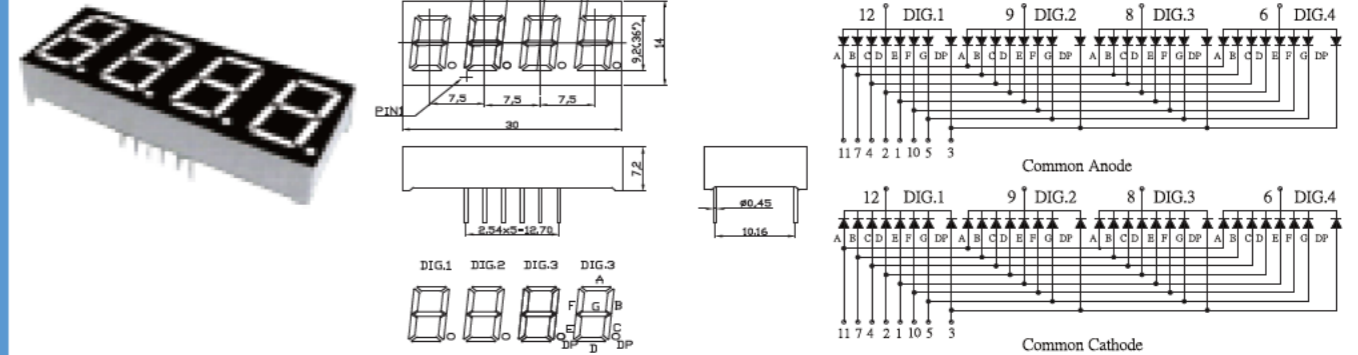
0.33" Four digits display



Part Number		Color	Wavelength(nm) λ D @ IF=20mA	V _F (V) @ IF=20mA	I _v (mcd) @ IF=20mA
Common Anode	Common Cathode				
PA40331-IW	PA40331-LW	White	10000K	3.1	65
PA40331-IB	PA40331-LB	Blue	465	3.1	50
PA40331-IG	PA40331-LG	Pure Green	525	3.1	200
PA40331-IYG	PA40331-LYG	Yellow Green	571	2.1	12
PA40331-IY	PA40331-LY	Yellow	590	2.1	60
PA40331 IO	PA40331 LO	Orange	605	2.1	70
PA40331-IR	PA40331-LR	Red	630	2.1	26
PA40331-IRA	PA40331-LRA	Super Bright Red	625	2.1	100

Package Dimension / Internal Circuit

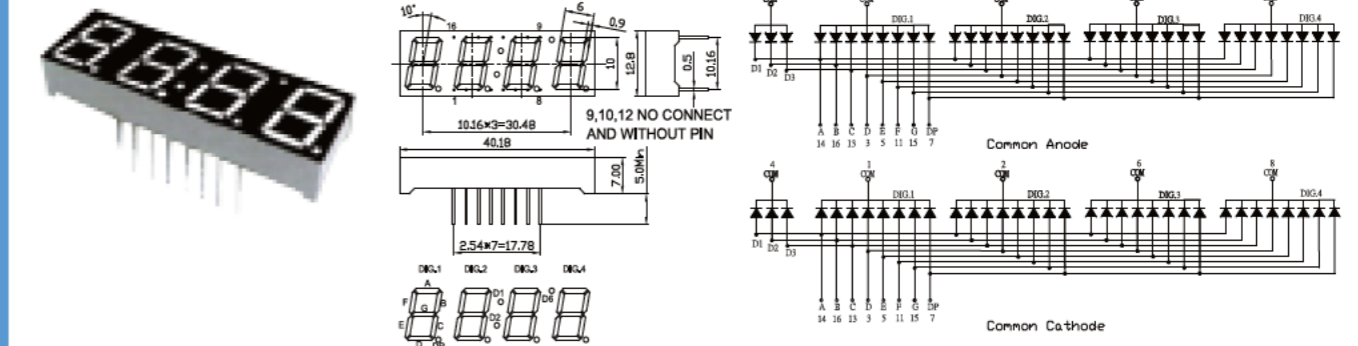
0.36" Four digits display



Part Number		Color	Wavelength(nm) λ D @ IF=20mA	V _F (V) @ IF=20mA	I _v (mcd) @ IF=20mA
Common Anode	Common Cathode				
PA40361-IW	PA40361-LW	White	10000K	3.1	65
PA40361-IB	PA40361-LB	Blue	465	3.1	50
PA40361-IG	PA40361-LG	Pure Green	525	3.1	200
PA40361-IYG	PA40361-LYG	Yellow Green	571	2.1	12
PA40361-IY	PA40361-LY	Yellow	590	2.1	60
PA40361-IO	PA40361-LO	Orange	605	2.1	70
PA40361-IR	PA40361-LR	Red	630	2.1	26
PA40361-IRA	PA40361-LRA	Super Bright Red	625	2.1	100

Package Dimension / Internal Circuit

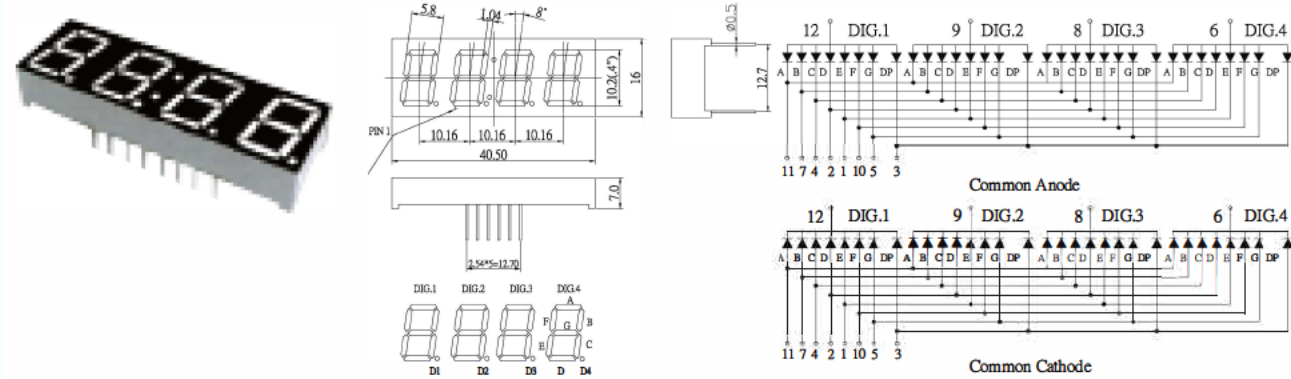
0.39" Four digits display



Part Number		Color	Wavelength(nm) λ D @ IF=20mA	V _F (V) @ IF=20mA	I _v (mcd) @ IF=20mA
Common Anode	Common Cathode				
PA40391-IW	PA40391-LW	White	10000K	3.1	65
PA40391-IB	PA40391-LB	Blue	465	3.1	50
PA40391-IG	PA40391-LG	Pure Green	525	3.1	200
PA40391-IYG	PA40391-LYG	Yellow Green	571	2.1	12
PA40391-IY	PA40391-LY	Yellow	590	2.1	60
PA40391-IO	PA40391-LO	Orange	605	2.1	70
PA40391-IR	PA40391-LR	Red	630	2.1	26
PA40391-IRA	PA40391-LRA	Super Bright Red	625	2.1	100

Package Dimension / Internal Circuit

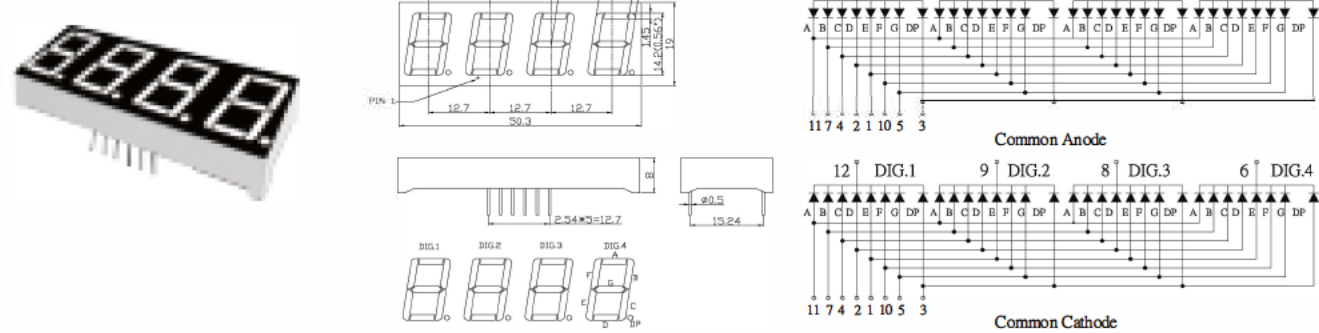
0.40" Four digits display



Part Number		Color	Wavelength(nm) λ D @ IF=20mA	V _F (V) @ IF=20mA	I _v (mcd) @ IF=20mA
Common Anode	Common Cathode				
PA40401-IW	PA40401-LW	White	10000K	3.1	65
PA40401-IB	PA40401-LB	Blue	465	3.1	50
PA40401-IG	PA40401-LG	Pure Green	525	3.1	200
PA40401-IYG	PA40401-LYG	Yellow Green	571	2.1	12
PA40401-IY	PA40401-LY	Yellow	590	2.1	60
PA40401 IO	PA40401 LO	Orange	605	2.1	70
PA40401-IR	PA40401-LR	Red	630	2.1	26
PA40401-IRA	PA40401-LRA	Super Bright Red	625	2.1	100

Package Dimension / Internal Circuit

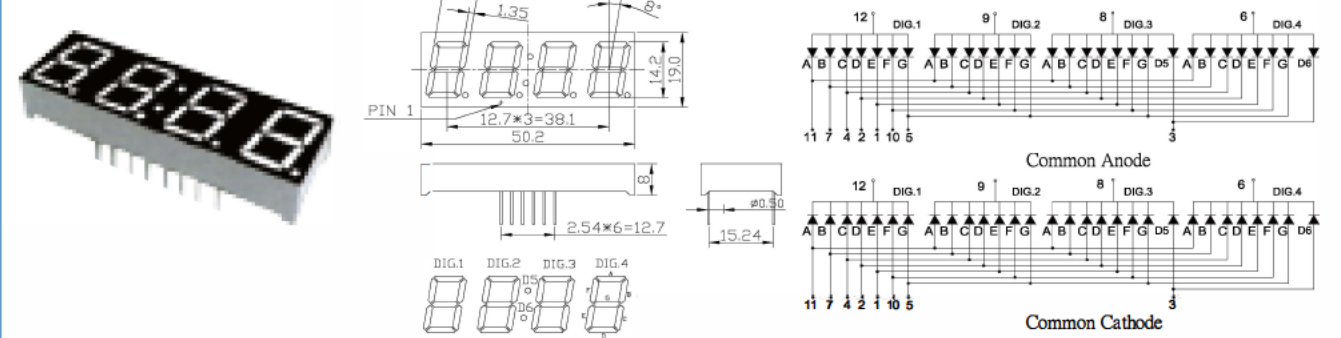
0.56" Four digits display



Part Number		Color	Wavelength(nm) λ D @ IF=20mA	V _F (V) @ IF=20mA	I _v (mcd) @ IF=20mA
Common Anode	Common Cathode				
PA40567-LW	PA40567-LW	White	10000K	3.1	65
PA40567-LB	PA40567-LB	Blue	465	3.1	50
PA40567-LG	PA40567-LG	Pure Green	525	3.1	200
PA40567-LYG	PA40567-LYG	Yellow Green	571	2.1	12
PA40567-LY	PA40567-LY	Yellow	590	2.1	60
PA40567 LO	PA40567 LO	Orange	605	2.1	70
PA40567-LR	PA40567-LR	Red	630	2.1	26
PA40567-LRA	PA40567-LRA	Super Bright Red	625	2.1	100

Package Dimension / Internal Circuit

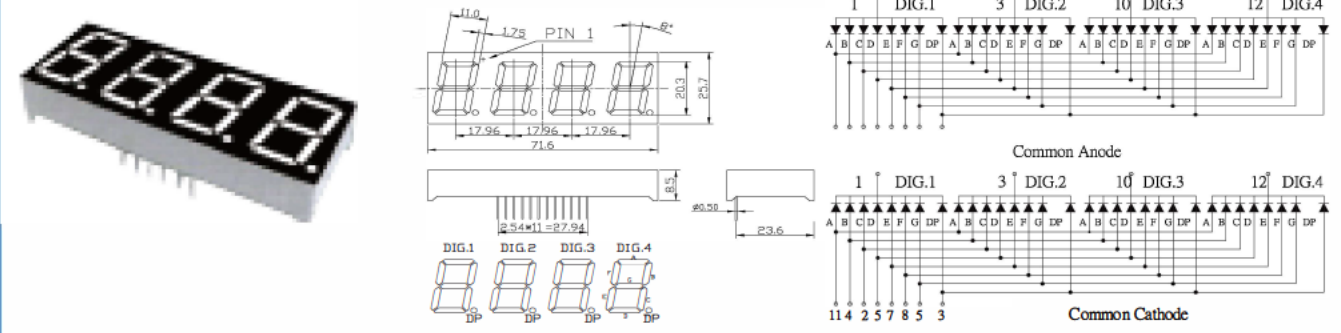
0.56" Four digits display



Part Number		Color	Wavelength(nm) λ D @ IF=20mA	V _F (V) @ IF=20mA	I _v (mcd) @ IF=20mA
Common Anode	Common Cathode				
PA40565-LW	PA40565-LW	White	10000K	3.1	65
PA40565-LB	PA40565-LB	Blue	465	3.1	50
PA40565-LG	PA40565 LG	Pure Green	525	3.1	200
PA40565-LYG	PA40565-LYG	Yellow Green	571	2.1	12
PA40565-LY	PA40565-LY	Yellow	590	2.1	60
PA40565 LO	PA40565 LO	Orange	605	2.1	70
PA40565-LR	PA40565-LR	Red	630	2.1	26
PA40565-LRA	PA40565-LRA	Super Bright Red	625	2.1	100

Package Dimension / Internal Circuit

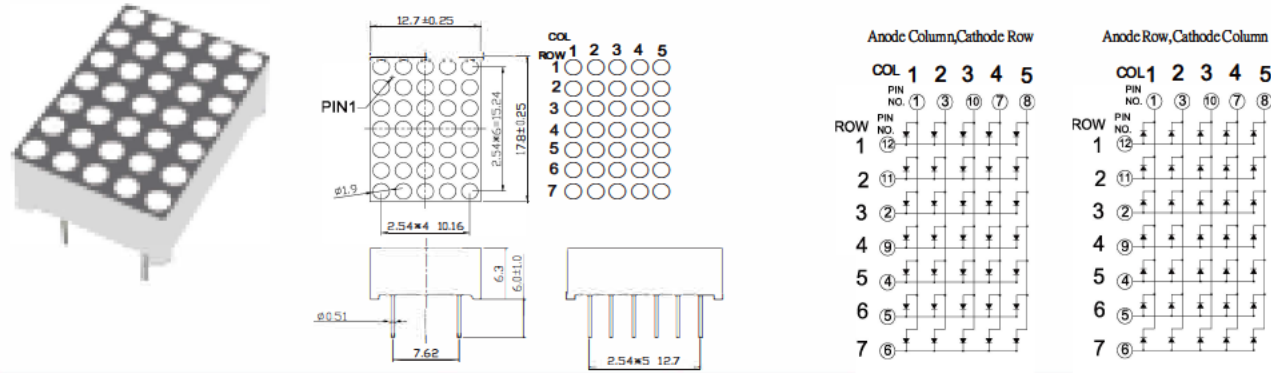
0.80" Four digits display



Part Number		Color	Wavelength(nm) λ D @ IF=20mA	V _F (V) @ IF=20mA	I _v (mcd) @ IF=20mA
Common Anode	Common Cathode				
PA40802-IW	PA40802-LW	White	10000K	3.1	65
PA40802-IB	PA40802-LB	Blue	465	3.1	50
PA40802 IG	PA40802 LG	Pure Green	525	3.1	200
PA40802-IYG	PA40802-LYG	Yellow Green	571	2.1	12
PA40802-IY	PA40802-LY	Yellow	590	2.1	60
PA40802 IO	PA40802 LO	Orange	605	2.1	70
PA40802-IR	PA40802-LR	Red	630	2.1	26
PA40802-IRA	PA40802-LRA	Super Bright Red	625	2.1	100

Package Dimension / Internal Circuit

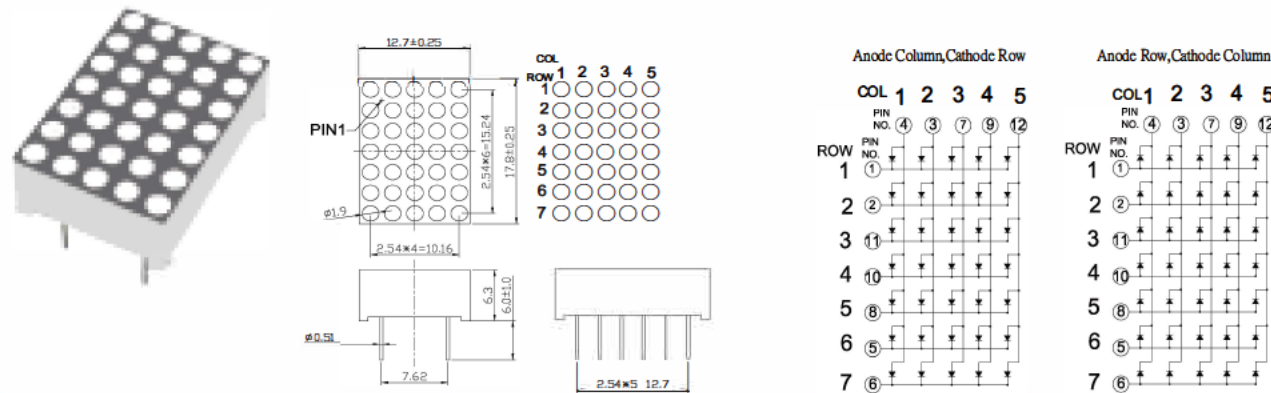
0.70" 5x7 dot matrix display



Part Number		Color	Wavelength(nm) λ D @ IF=20mA	V _r (V) @ IF=20mA	I _v (mcd) @ IF=20mA
Anode Column,Cathode Row	Anode Row,Cathode Column				
PA350701-AW	PA350701-BW	White	10000K	3.1	65
PA350701-AB	PA350701-BB	Blue	465	3.1	50
PA350701-AG	PA350701-BG	Pure Green	525	3.1	200
PA350701-AYG	PA350701-BYG	Yellow Green	571	2.1	12
PA350701-AY	PA350701-BY	Yellow	590	2.1	60
PA350701-AO	PA350701-BO	Orange	605	2.1	70
PA350701-AR	PA350701-BR	Red	630	2.1	26
PA350701-ARA	PA350701-BRA	Super Bright Red	625	2.1	100

Package Dimension / Internal Circuit

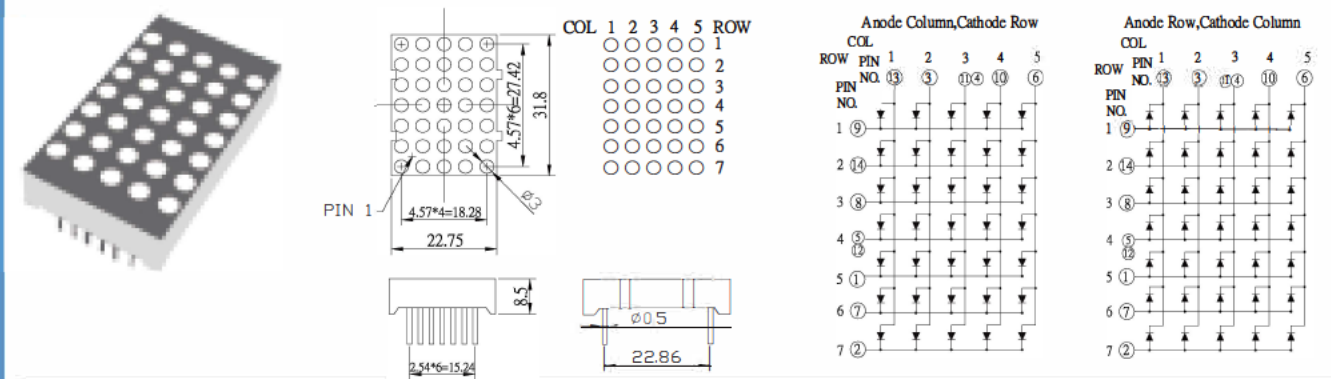
0.70" 5x7 dot matrix display



Part Number		Color	Wavelength(nm) λ D @ IF=20mA	V _r (V) @ IF=20mA	I _v (mcd) @ IF=20mA
Anode Column,Cathode Row	Anode Row,Cathode Column				
PA350702-AW	PA350702-BW	White	10000K	3.1	65
PA350702-AB	PA350702-BB	Blue	465	3.1	50
PA350702-AG	PA350702-BG	Pure Green	525	3.1	200
PA350702-AYG	PA350702-BYG	Yellow Green	571	2.1	12
PA350702-AY	PA350702-BY	Yellow	590	2.1	60
PA350702-AO	PA350702-BO	Orange	605	2.1	70
PA350702-AR	PA350702-BR	Red	630	2.1	26
PA350702-ARA	PA350702-BRA	Super Bright Red	625	2.1	100

Package Dimension / Internal Circuit

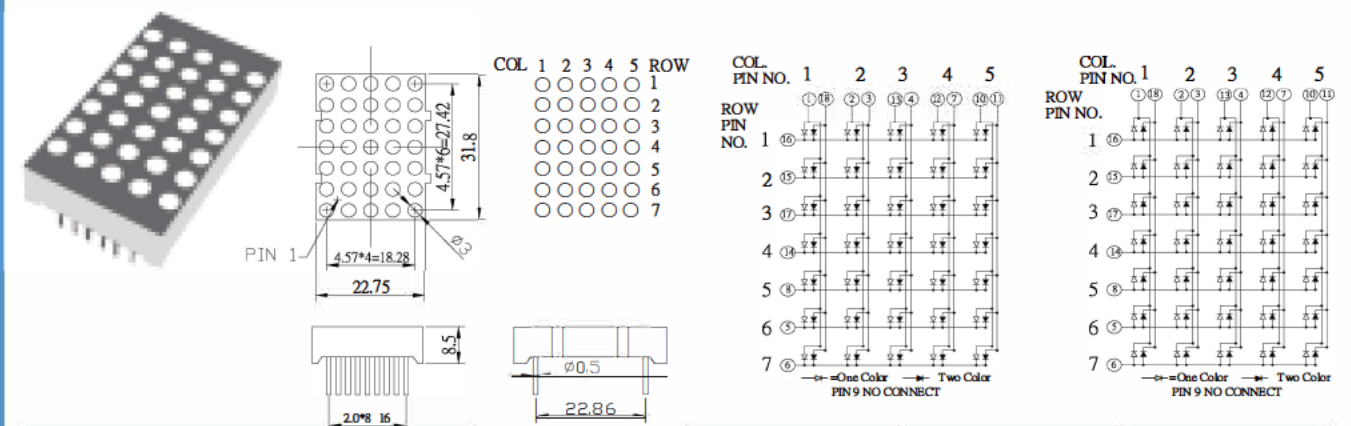
1.25" 5x7 dot matrix display



Part Number		Color	Wavelength(nm) λ D @ IF=20mA	V _r (V) @ IF=20mA	I _v (mcd) @ IF=20mA
Anode Column,Cathode Row	Anode Row,Cathode Column				
PA351251-AW	PA351251-BW	White	10000K	3.1	65
PA351251-AB	PA351251-BB	Blue	465	3.1	50
PA351251-AG	PA351251-BG	Pure Green	525	3.1	200
PA351251-AYG	PA351251-BYG	Yellow Green	571	2.1	12
PA351251-AY	PA351251-BY	Yellow	590	2.1	60
PA351251-AO	PA351251-BO	Orange	605	2.1	70
PA351251-AR	PA351251-BR	Red	630	2.1	26
PA351251-ARA	PA351251-BRA	Super Bright Red	625	2.1	100

Package Dimension / Internal Circuit

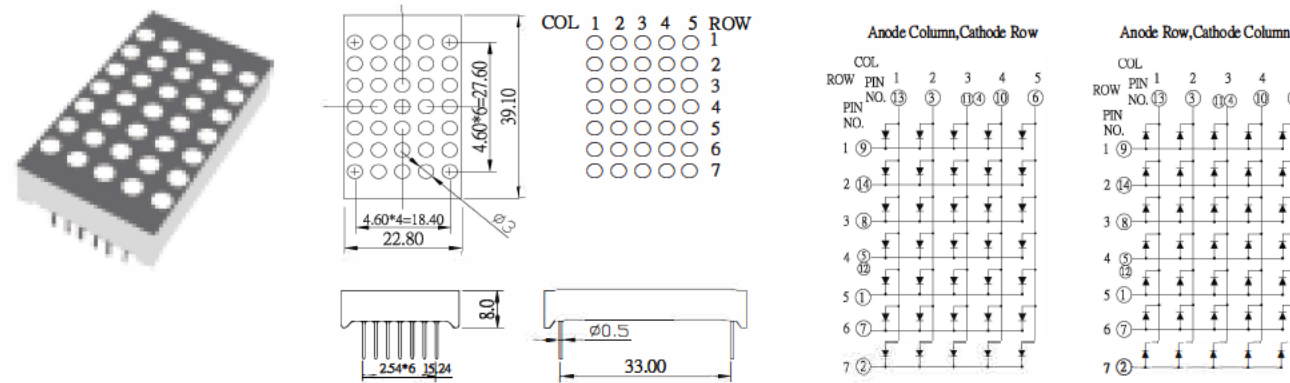
1.25" 5x7 bi-color dot matrix display



Part Number		Color	Wavelength(nm) λ D @ IF=20mA	V _r (V) @ IF=20mA	I _v (mcd) @ IF=20mA
Anode Column,Cathode Row	Anode Row,Cathode Column				
Any two of available colors can be combined		Blue	465	3.1	50
PA351252 AXX(X) PA351252 BXX(X)		Pure Green	525	3.1	200
		Yellow Green	571	2.1	12
		Yellow	590	2.1	60
		Orange	605	2.1	70
		Red	630	2.1	26
		Super Bright Red	625	2.1	100

Package Dimension / Internal Circuit

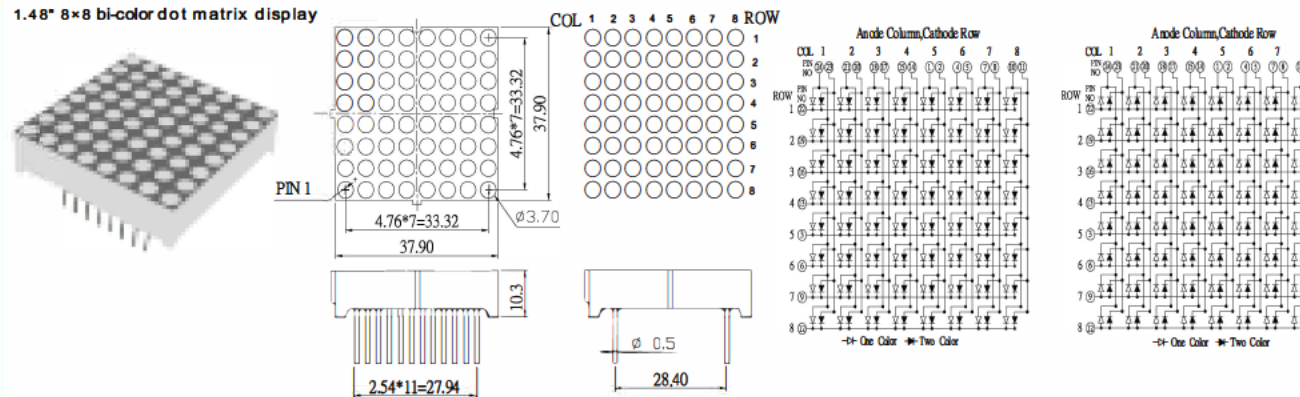
1.54" 5x7 dot matrix display



Part Number		Color	Wavelength(nm) $\lambda D @ IF=20mA$	$V_f(V) @ IF=20mA$	$I_v(mcd) @ IF=20mA$
Anode Column,Cathode Row	Anode Row,Cathode Column				
PA351541-AW	PA351541-BW	White	10000K	3.1	65
PA351541-AB	PA351541-BB	Blue	465	3.1	50
PA351541-AG	PA351541-BG	Pure Green	525	3.1	200
PA351541-AYG	PA351541-BYG	Yellow Green	571	2.1	12
PA351541-AY	PA351541-BY	Yellow	590	2.1	60
PA351541-AO	PA351541-BO	Orange	605	2.1	70
PA351541-AR	PA351541-BR	Red	630	2.1	26
PA351541-ARA	PA351541-BRA	Super Bright Red	625	2.1	100

Package Dimension / Internal Circuit

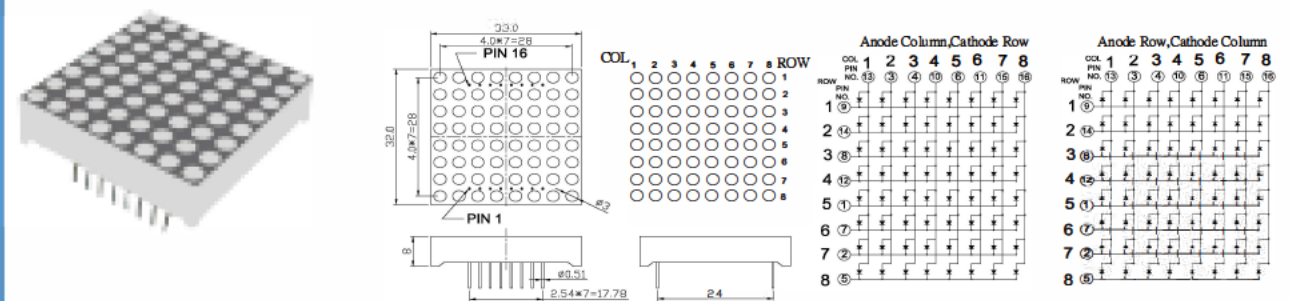
1.48" 8x8 bi-color dot matrix display



Part Number		Color	Wavelength(nm) $\lambda D @ IF=20mA$	$V_f(V) @ IF=20mA$	$I_v(mcd) @ IF=20mA$
Anode Column,Cathode Row	Anode Row,Cathode Column				
Any two of available colors can be combined		Blue	465	3.1	50
PA641507-AXX(X)	PA641507-BXX(X)	Pure Green	525	3.1	200
		Yellow Green	571	2.1	12
		Yellow	590	2.1	60
		Orange	605	2.1	70
		Red	630	2.1	26
		Super Bright Red	625	2.1	100

Package Dimension / Internal Circuit

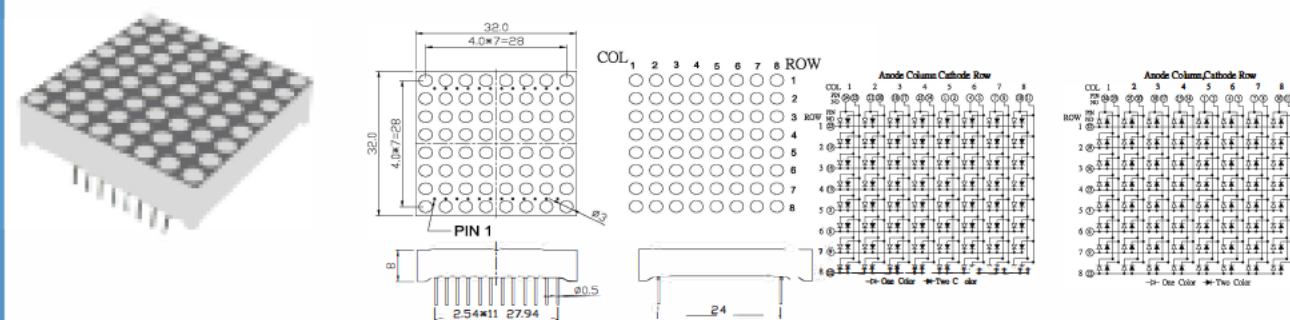
1.25" 8x8 dot matrix display



Part Number		Color	Wavelength(nm) $\lambda D @ IF=20mA$	$V_f(V) @ IF=20mA$	$I_v(mcd) @ IF=20mA$
Anode Column,Cathode Row	Anode Row,Cathode Column				
PA641252 AW	PA641252 BW	White	10000K	3.1	65
PA641252 AB	PA641252 BB	Blue	465	3.1	50
PA641252 AG	PA641252 BG	Pure Green	525	3.1	200
PA641252 AYG	PA641252 BYG	Yellow Green	571	2.1	12
PA641252 AY	PA641252 BY	Yellow	590	2.1	60
PA641252 AO	PA641252 BO	Orange	605	2.1	70
PA641252 AR	PA641252 BR	Red	630	2.1	26
PA641252 ARA	PA641252 BRA	Super Bright Red	625	2.1	100

Package Dimension / Internal Circuit

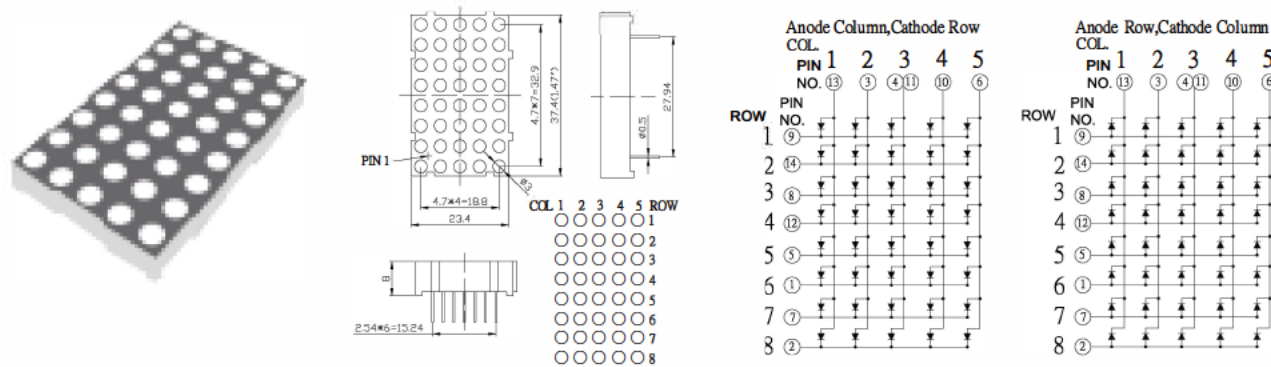
1.25" 8x8 bi-color dot matrix display



Part Number		Color	Wavelength(nm) $\lambda D @ IF=20mA$	$V_f(V) @ IF=20mA$	$I_v(mcd) @ IF=20mA$
Anode Column,Cathode Row	Anode Row,Cathode Column				
Any two of available colors can be combined		Blue	465	3.1	50
PA641256 AXX(X)	PA641256 BXX(X)	Pure Green	525	3.1	200
		Yellow Green	571	2.1	12
		Yellow	590	2.1	60
		Orange	605	2.1	70
		Red	630	2.1	26
		Super Bright Red	625	2.1	100

Package Dimension / Internal Circuit

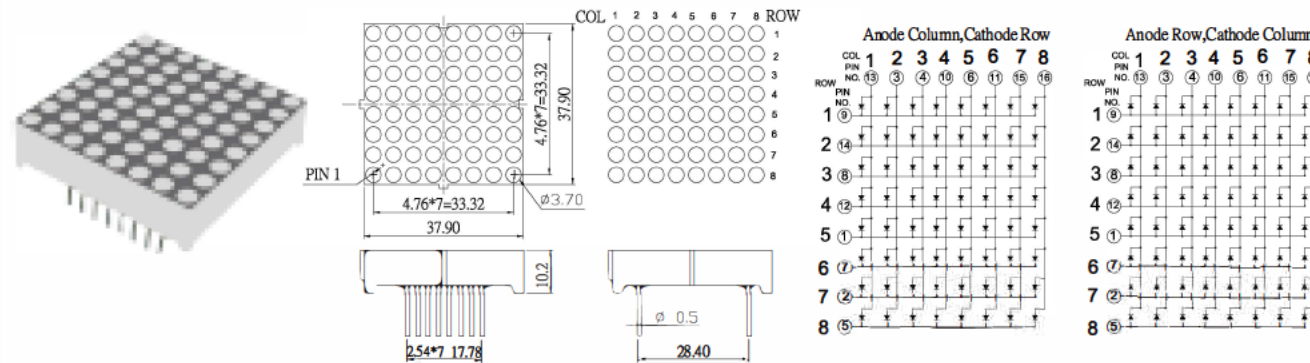
1.47" 5x8 dot matrix display



Part Number		Color	Wavelength(nm) λ D @ IF=20mA	V _f (V) @ IF=20mA	I _v (mcd) @ IF=20mA
Anode Column, Cathode Row	Anode Row, Cathode Column				
PA01471-AW	PA01471-BW	White	10000K	3.1	65
PA01471-AB	PA01471-BB	Blue	465	3.1	50
PA01471-AG	PA01471-BG	Pure Green	525	3.1	200
PA01471-AYG	PA01471-BYG	Yellow Green	571	2.1	12
PA01471-AY	PA01471-BY	Yellow	590	2.1	60
PA01471-AO	PA01471-BO	Orange	605	2.1	70
PA01471-AR	PA01471-BR	Red	630	2.1	26
PA01471-ARA	PA01471-BRA	Super Bright Red	625	2.1	100

Package Dimension / Internal Circuit

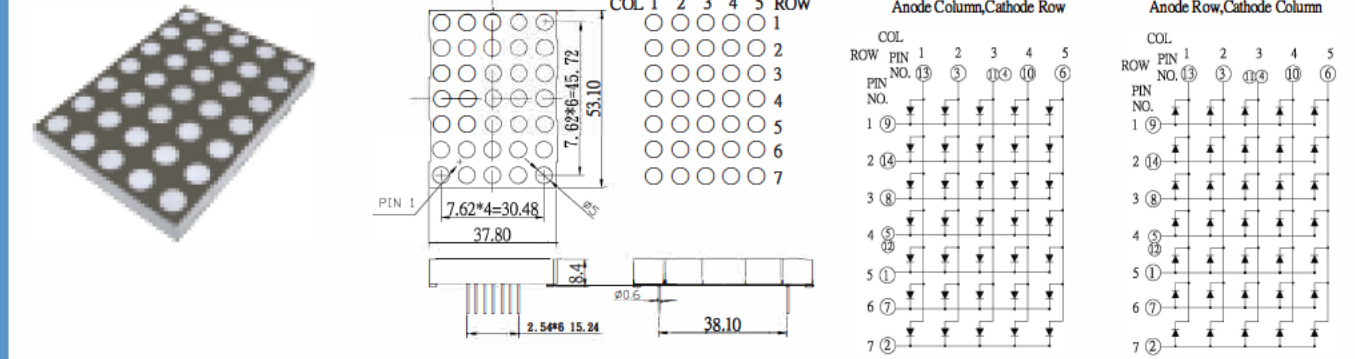
1.5" 8x8 dot matrix display



Part Number		Color	Wavelength(nm) λ D @ IF=20mA	V _f (V) @ IF=20mA	I _v (mcd) @ IF=20mA
Anode Column, Cathode Row	Anode Row, Cathode Column				
PA641501-AW	PA641501-BW	White	10000K	3.1	65
PA641501-AB	PA641501-BB	Blue	465	3.1	50
PA641501-AG	PA641501-BG	Pure Green	525	3.1	200
PA641501-AYG	PA641501-BYG	Yellow Green	571	2.1	12
PA641501-AY	PA641501-BY	Yellow	590	2.1	60
PA641501-AO	PA641501-BO	Orange	605	2.1	70
PA641501-AR	PA641501-BR	Red	630	2.1	26
PA641501-ARA	PA641501-BRA	Super Bright Red	625	2.1	100

Package Dimension / Internal Circuit

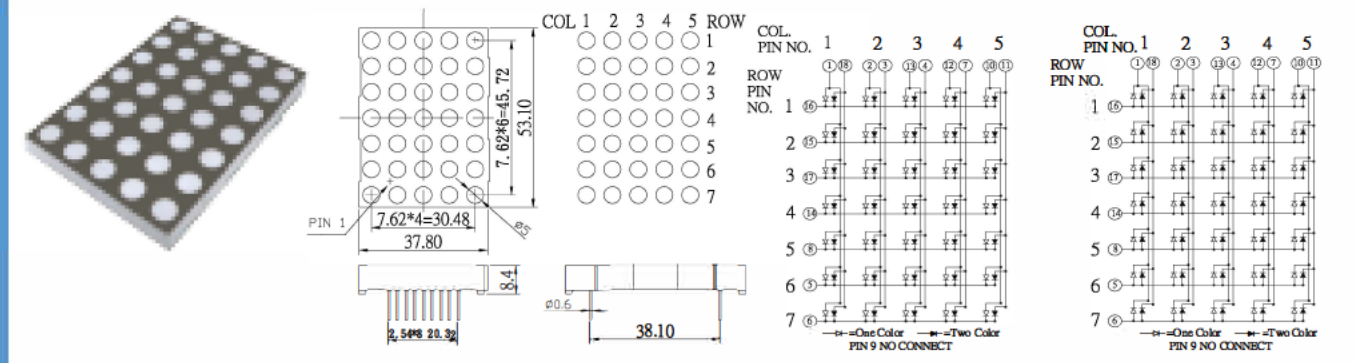
2.0" 5x7 dot matrix display



Part Number		Color	Wavelength(nm) λ D @ IF=20mA	V _f (V) @ IF=20mA	I _v (mcd) @ IF=20mA
Anode Column, Cathode Row	Anode Row, Cathode Column				
PA352002-AW	PA352002-BW	White	10000K	3.1	65
PA352002-AB	PA352002-BB	Blue	465	3.1	50
PA352002-AG	PA352002-BG	Pure Green	525	3.1	200
PA352002-AYG	PA352002-BYG	Yellow Green	571	2.1	12
PA352002-AY	PA352002-BY	Yellow	590	2.1	60
PA352002-AO	PA352002-BO	Orange	605	2.1	70
PA352002-AR	PA352002-BR	Red	630	2.1	26
PA352002-ARA	PA352002-BRA	Super Bright Red	625	2.1	100

Package Dimension / Internal Circuit

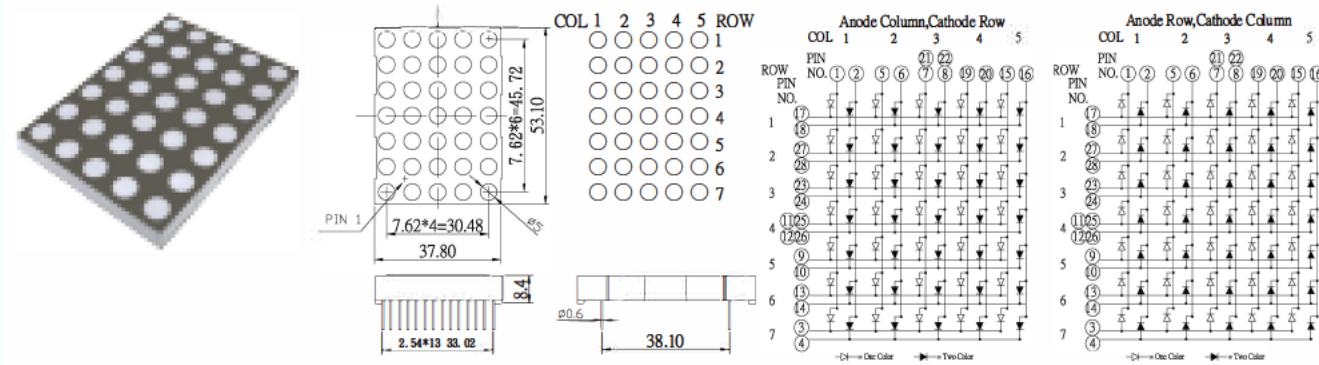
2.0" 5x7 bi-color dot matrix display



Part Number		Color	Wavelength(nm) λ D @ IF=20mA	V _f (V) @ IF=20mA	I _v (mcd) @ IF=20mA
Anode Column, Cathode Row	Anode Row, Cathode Column				
Any two of available colors can be combined		Blue	465	3.1	50
PA352003 AXX(X)	PA352003 BXX(X)	Pure Green	525	3.1	200
		Yellow Green	571	2.1	12
		Yellow	590	2.1	60
		Orange	605	2.1	70
		Red	630	2.1	26
		Super Bright Red	625	2.1	100

Package Dimension / Internal Circuit

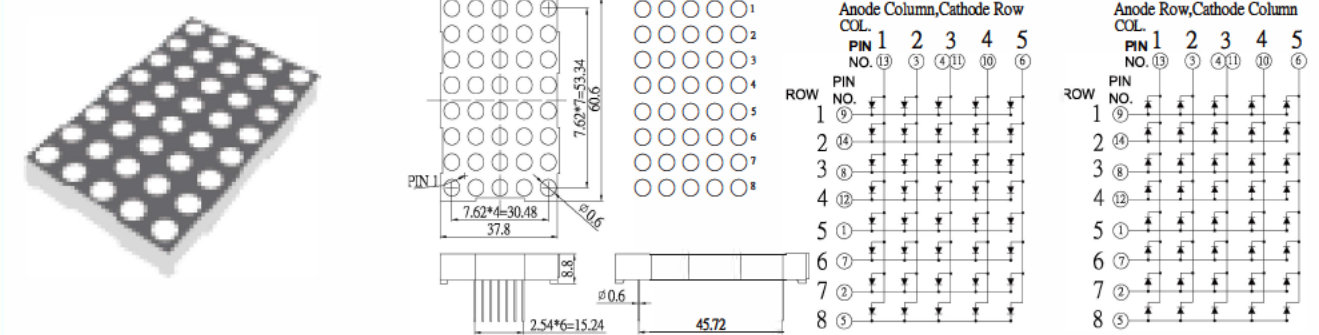
2.0* 5*7 bi-color dot matrix display



Part Number		Color	Wavelength(nm) λ D @ IF=20mA	V _F (V) @ IF=20mA	I _v (mcd) @ IF=20mA
Anode Column, Cathode Row	Anode Row, Cathode Column				
Any two of available colors can be combined		Blue	465	3.1	50
PA352004 AXX(X)	PA352004 BXX(X)	Pure Green	525	3.1	200
		Yellow Green	571	2.1	12
		Yellow	590	2.1	60
		Orange	605	2.1	70
		Red	630	2.1	26
		Super Bright Red	625	2.1	100

Package Dimension / Internal Circuit

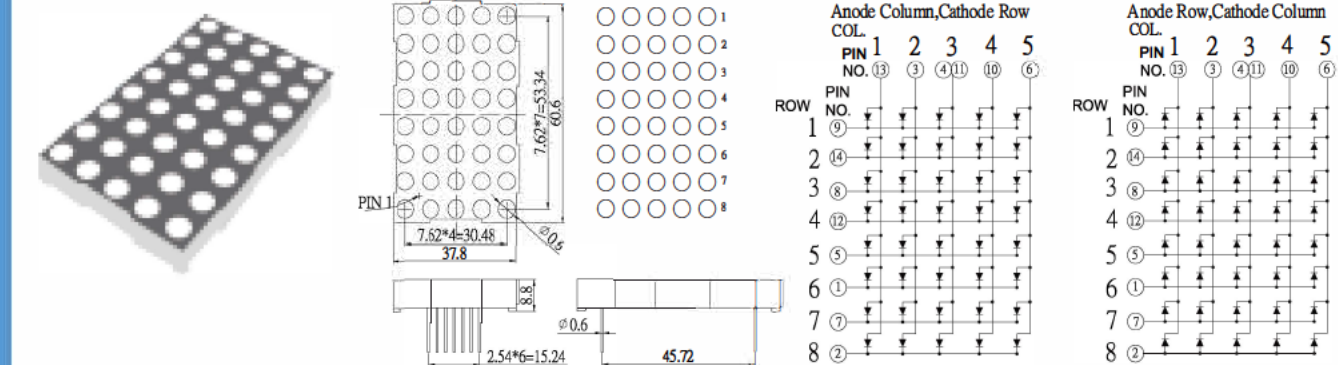
2.38* 5*8 dot matrix display



Part Number		Color	Wavelength(nm) λ D @ IF=20mA	V _F (V) @ IF=20mA	I _v (mcd) @ IF=20mA
Anode Column, Cathode Row	Anode Row, Cathode Column				
Any two of available colors can be combined		Blue	465	3.1	50
PA402382-AW	PA402382-BW	Pure Green	525	3.1	200
		Yellow Green	571	2.1	12
		Yellow	590	2.1	60
		Orange	605	2.1	70
		Red	630	2.1	26
		Super Bright Red	625	2.1	100

Package Dimension / Internal Circuit

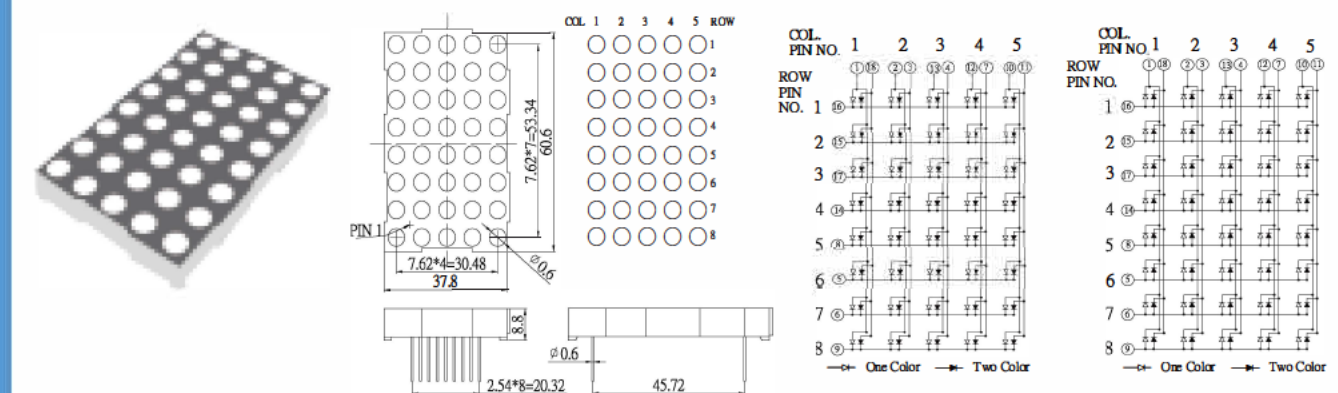
2.38* 5*8 dot matrix display



Part Number		Color	Wavelength(nm) λ D @ IF=20mA	V _F (V) @ IF=20mA	I _v (mcd) @ IF=20mA
Anode Column, Cathode Row	Anode Row, Cathode Column				
Any two of available colors can be combined		Blue	465	3.1	50
PA402381-AW	PA402381-BW	Pure Green	525	3.1	200
		Yellow Green	571	2.1	12
		Yellow	590	2.1	60
		Orange	605	2.1	70
		Red	630	2.1	26
		Super Bright Red	625	2.1	100

Package Dimension / Internal Circuit

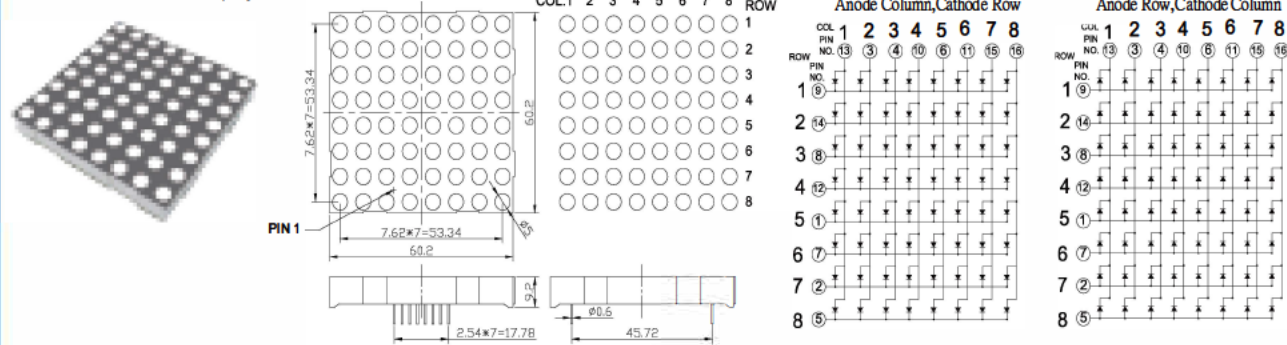
2.38* 5*8 bi-color dot matrix display



Part Number		Color	Wavelength(nm) λ D @ IF=20mA	V _F (V) @ IF=20mA	I _v (mcd) @ IF=20mA
Anode Column, Cathode Row	Anode Row, Cathode Column				
Any two of available colors can be combined		Blue	465	3.1	50
PA402383-AXX(X)	PA402383-BXX(X)	Pure Green	525	3.1	200
		Yellow Green	571	2.1	12
		Yellow	590	2.1	60
		Orange	605	2.1	70
		Red	630	2.1	26
		Super Bright Red	625	2.1	100

Package Dimension / Internal Circuit

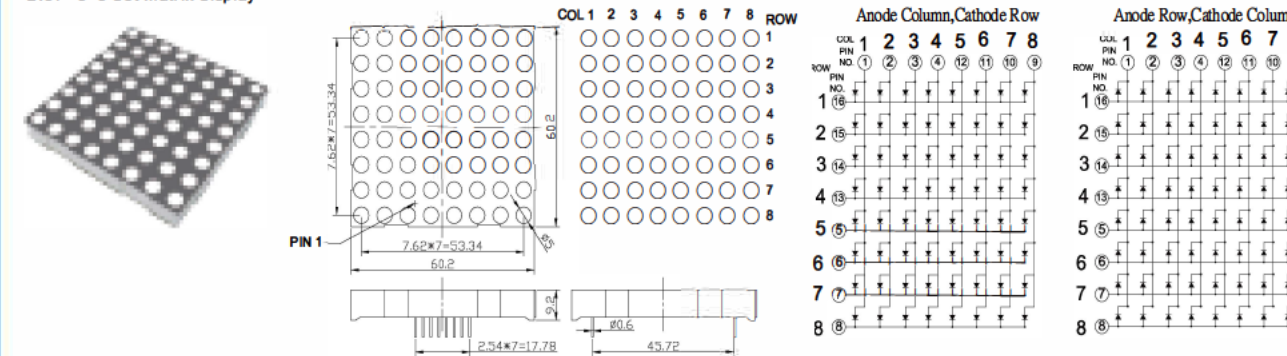
2.37" 8x8 dot matrix display



Part Number		Color	Wavelength(nm) λ D @ IF=20mA	V _F (V) @ IF=20mA	I _v (mcd) @ IF=20mA
Anode Column,Cathode Row	Anode Row,Cathode Column				
PA642371-AW	PA642371-BW	White	10000K	3.1	65
PA642371-AB	PA642371-BB	Blue	465	3.1	50
PA642371-AG	PA642371-BG	Pure Green	525	3.1	200
PA642371-AYG	PA642371-BYG	Yellow Green	571	2.1	12
PA642371-AY	PA642371-BY	Yellow	590	2.1	60
PA642371-AO	PA642371-BO	Orange	605	2.1	70
PA642371-AR	PA642371-BR	Red	630	2.1	26
PA642371-ARA	PA642371-BRA	Super Bright Red	625	2.1	100

Package Dimension / Internal Circuit

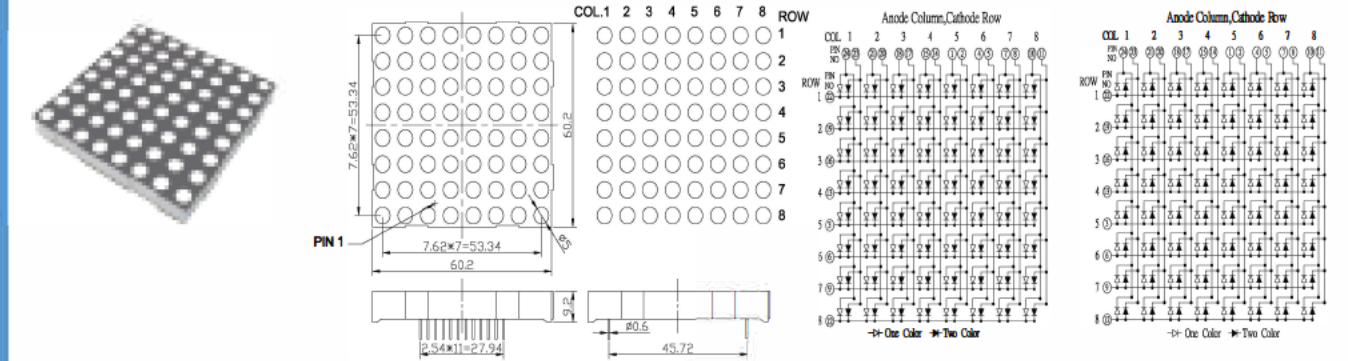
2.37" 8x8 dot matrix display



Part Number		Color	Wavelength(nm) λ D @ IF=20mA	V _F (V) @ IF=20mA	I _v (mcd) @ IF=20mA
Anode Column,Cathode Row	Anode Row,Cathode Column				
PA642374-AW	PA642374-BW	White	10000K	3.1	65
PA642374-AB	PA642374-BB	Blue	465	3.1	50
PA642374-AG	PA642374-BG	Pure Green	525	3.1	200
PA642374-AYG	PA642374-BYG	Yellow Green	571	2.1	12
PA642374-AY	PA642374-BY	Yellow	590	2.1	60
PA642374-AO	PA642374-BO	Orange	605	2.1	70
PA642374-AR	PA642374-BR	Red	630	2.1	26
PA642374-ARA	PA642374-BRA	Super Bright Red	625	2.1	100

Package Dimension / Internal Circuit

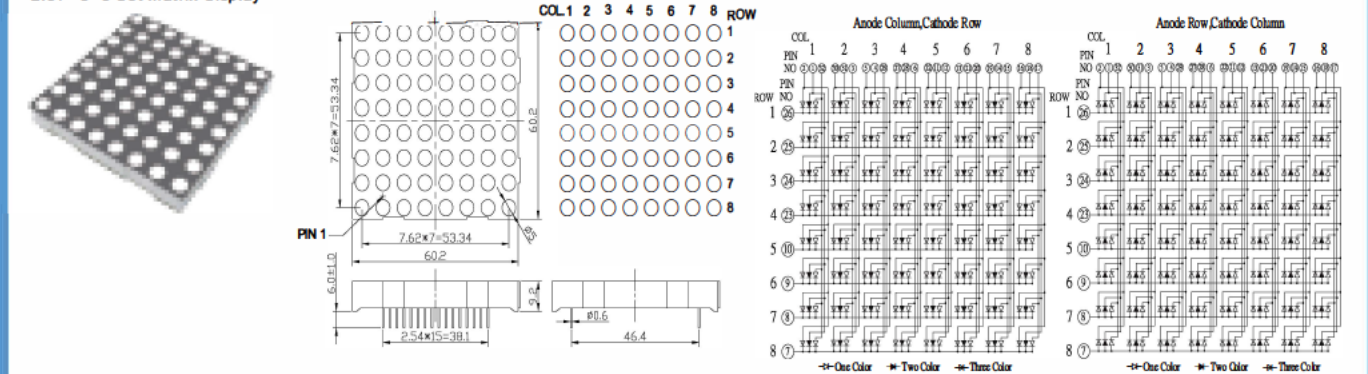
2.37" 8x8 bi-color dot matrix display



Part Number		Color	Wavelength(nm) λ D @ IF=20mA	V _F (V) @ IF=20mA	I _v (mcd) @ IF=20mA
Anode Column,Cathode Row	Anode Row,Cathode Column				
Any two of available colors can be combined		Blue	465	3.1	50
PA642375-AXX(X)	PA642375-BXX(X)	Pure Green	525	3.1	200
		Yellow Green	571	2.1	12
		Yellow	590	2.1	60
		Orange	605	2.1	70
		Red	630	2.1	26
		Super Bright Red	625	2.1	100

Package Dimension / Internal Circuit

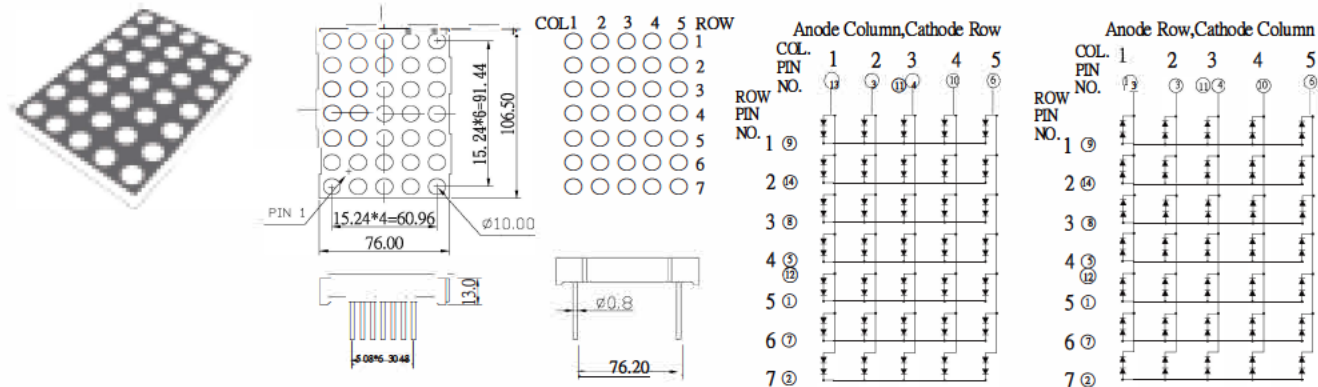
2.37" 8x8 dot matrix display



Part Number		Color	Wavelength(nm) λ D @ IF=20mA	V _F (V) @ IF=20mA	I _v (mcd) @ IF=20mA
Anode Column,Cathode Row	Anode Row,Cathode Column				
Any three of available colors can be combined		Blue	465	3.1	50
PA642372-AXXX(X)	PA642372-BXXX(X)	Pure Green	525	3.1	200
		Yellow Green	571	2.1	12
		Yellow	590	2.1	60
		Orange	605	2.1	70
		Red	630	2.1	26
		Super Bright Red	625	2.1	100

Package Dimension / Internal Circuit

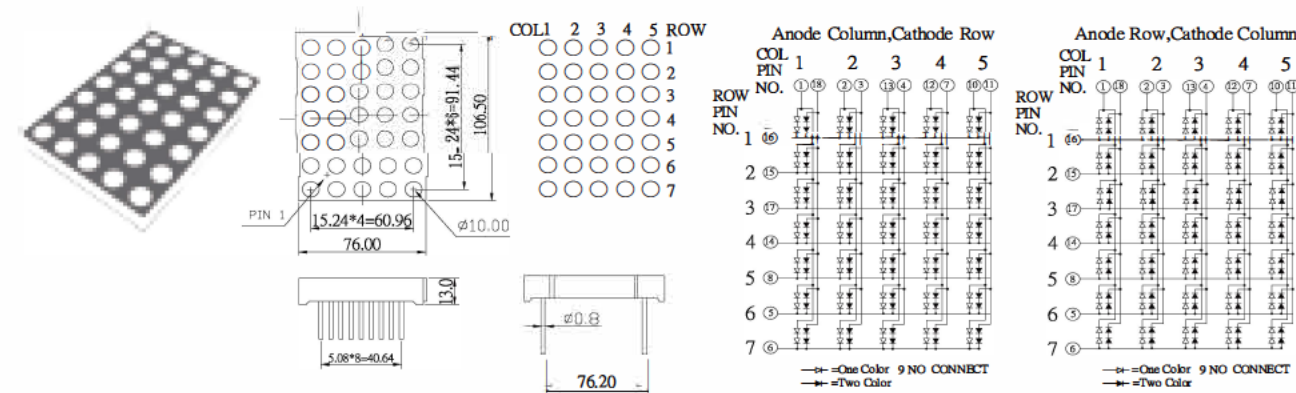
4.2" 5x7 dot matrix display



Part Number		Color	Wavelength(nm) λ D @ IF=20mA	V _F (V) @ IF=20mA	I _v (mcd) @ IF=20mA
Anode Column,Cathode Row	Anode Row,Cathode Column				
PA354202-AW	PA354202-BW	White	10000K	6.2	65
PA354202-AB	PA354202-BB	Blue	465	6.2	50
PA354202-AG	PA354202-BG	Pure Green	525	6.2	200
PA354202-AYG	PA354202-BYG	Yellow Green	571	4.2	12
PA354202-AY	PA354202-BY	Yellow	590	4.2	60
PA354202-AO	PA354202-BO	Orange	605	4.2	70
PA354202-AR	PA354202-BR	Red	630	4.2	26
PA354202-ARA	PA354202-BRA	Super Bright Red	625	4.2	100

Package Dimension / Internal Circuit

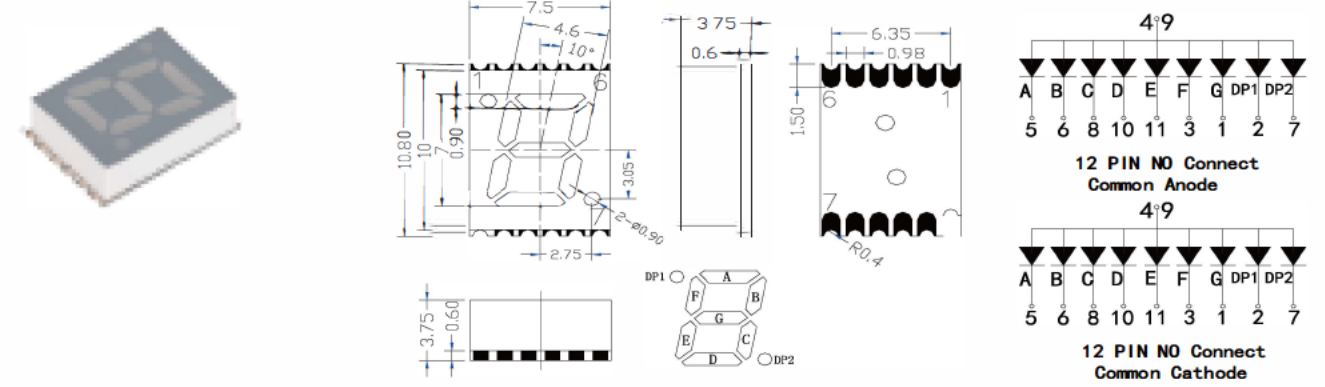
4.2" 5x7 bi-color dot matrix display



Part Number		Color	Wavelength(nm) λ D @ IF=20mA	V _F (V) @ IF=20mA	I _v (mcd) @ IF=20mA
Anode Column,Cathode Row	Anode Row,Cathode Column				
Any two of available colors can be combined		White	10000K	6.2	65
PA354201-AXX(X)	PA354201-BXX(X)	Blue	465	6.2	50
		Pure Green	525	6.2	200
		Yellow Green	571	4.2	12
		Yellow	590	4.2	60
		Orange	605	4.2	70
		Red	630	4.2	26
		Super Bright Red	625	4.2	100

Package Dimension / Internal Circuit

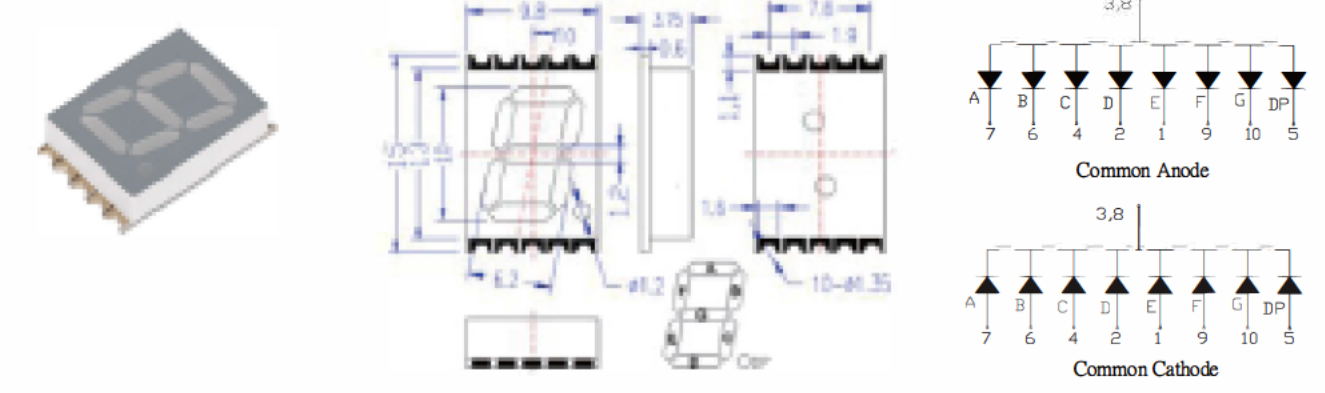
0.28" Single digit SMD display



Part Number		Color	Wavelength(nm) λ D @ IF=20mA	V _F (V) @ IF=20mA	I _v (mcd) @ IF=10mA
Common Anode	Common Cathode				
PA1028A-IB	PA1028A-LB	Blue	470	3.1	9
PA1028A-IG	PA1028A-LG	Pure Green	520	3.1	10
PA1028A-IYG	PA1028A-LYG	Yellow Green	570	2.1	6
PA1028A-IY	PA1028A-LY	Yellow	590	2.1	6
PA1028A-IO	PA1028A-LO	Orange	605	2.1	6
PA1028A-IR	PA1028A-LR	Red	630	2.1	6

Package Dimension / Internal Circuit

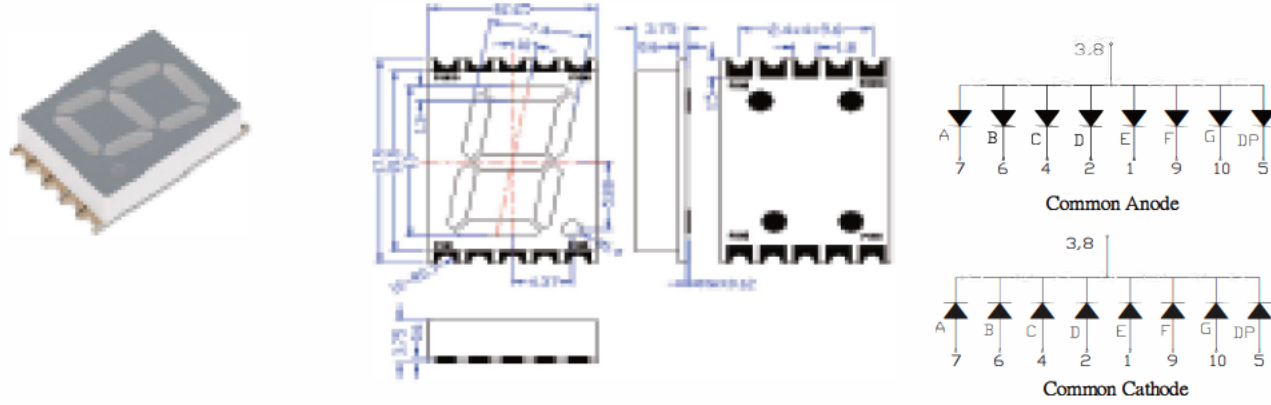
0.39" Single digit SMD display



Part Number		Color	Wavelength(nm) λ D @ IF=20mA	V _F (V) @ IF=20mA	I _v (mcd) @ IF=10mA
Common Anode	Common Cathode				
PA1039A-IW	PA1039A-LW	White	8000K	3.1	50
PA1039A-IB	PA1039A-LB	Blue	470	3.1	10
PA1039A-IG	PA1039A-LG	Pure Green	520	3.1	15
PA1039A-IYG	PA1039A-LYG	Yellow Green	570	2.1	9
PA1039A-IY	PA1039A-LY	Yellow	590	2.1	10
PA1039A-IO	PA1039A-LO	Orange	605	2.1	10
PA1039A-IR	PA1039A-LR	Red	630	2.1	9

Package Dimension / Internal Circuit

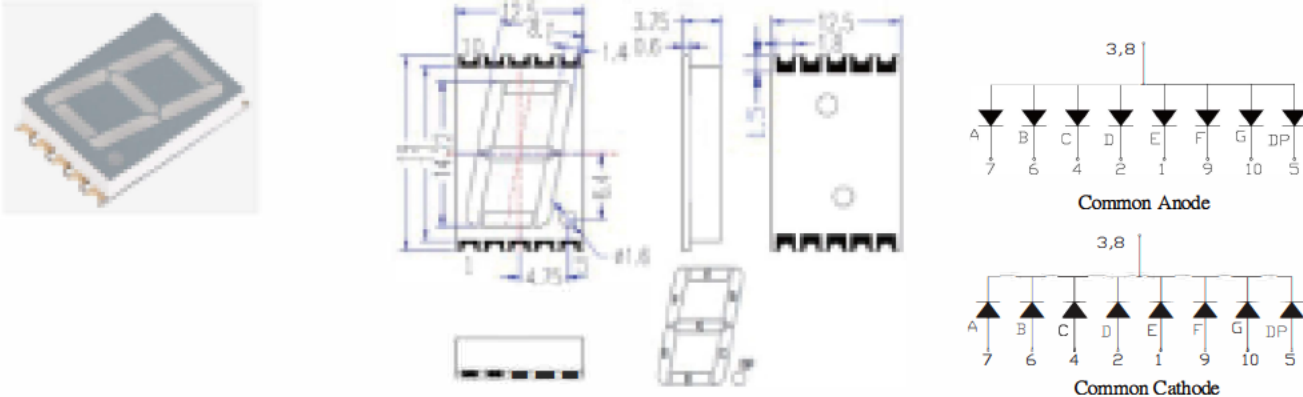
0.51" Single digit SMD display



Part Number		Color	Wavelength(nm) λ D @ IF=20mA	V _r (V) @ IF=20mA	I _v (mcd) @ IF=10mA
Common Anode	Common Cathode				
PA1051A-IW	PA1051A-LW	White	8000K	3.1	60
PA1051A-IB	PA1051A-LB	Blue	470	3.1	12
PA1051A-IG	PA1051A-LG	Pure Green	520	3.1	24
PA1051A-IYG	PA1051A-LYG	Yellow Green	570	2.1	6
PA1051A-IY	PA1051A-LY	Yellow	590	2.1	9
PA1051A-IO	PA1051A-LO	Orange	605	2.1	9
PA1051A-IR	PA1051A-LR	Red	630	2.1	9

Package Dimension / Internal Circuit

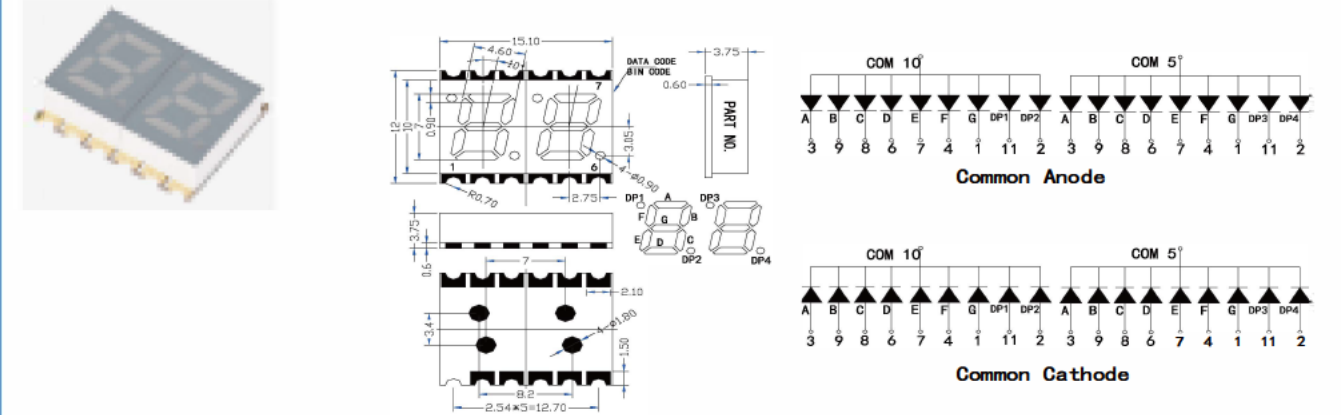
0.56" Single digit SMD display



Part Number		Color	Wavelength(nm) λ D @ IF=20mA	V _r (V) @ IF=20mA	I _v (mcd) @ IF=10mA
Common Anode	Common Cathode				
PA1056A-IW	PA1056A-LW	White	8000K	3.1	65
PA1056A-IB	PA1056A-LB	Blue	470	3.1	16
PA1056A-IG	PA1056A-LG	Pure Green	520	3.1	24
PA1056A-IYG	PA1056A-LYG	Yellow Green	570	2.1	13
PA1056A-IY	PA1056A-LY	Yellow	590	2.1	16
PA1056A-IO	PA1056A-LO	Orange	605	2.1	16
PA1056A-IR	PA1056A-LR	Red	630	2.1	13

Package Dimension / Internal Circuit

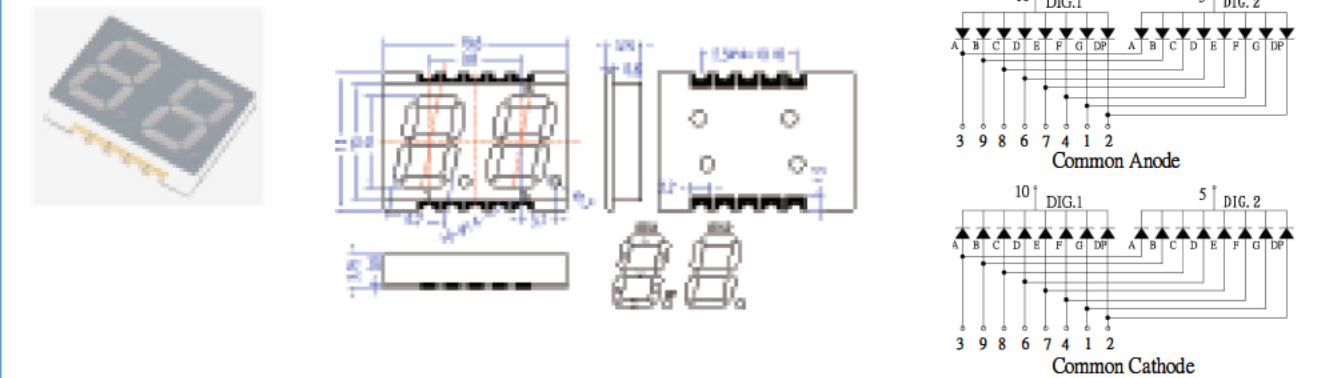
0.28" Dual digits SMD display



Part Number		Color	Wavelength(nm) λ D @ IF=20mA	V _r (V) @ IF=20mA	I _v (mcd) @ IF=10mA
Common Anode	Common Cathode				
PA2028A-IB	PA2028A-LB	Blue	470	3.1	9
PA2028A-IG	PA2028A-LG	Pure Green	520	3.1	10
PA2028A-IYG	PA2028A-LYG	Yellow Green	570	2.1	6
PA2028A-IY	PA2028A-LY	Yellow	590	2.1	6
PA2028A-IO	PA2028A-LO	Orange	605	2.1	6
PA2028A-IR	PA2028A-LR	Red	630	2.1	6

Package Dimension / Internal Circuit

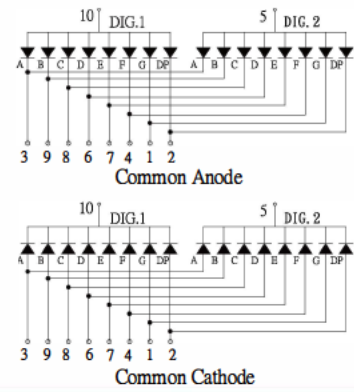
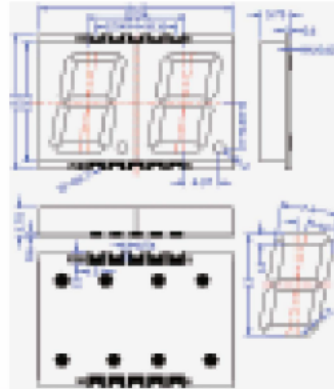
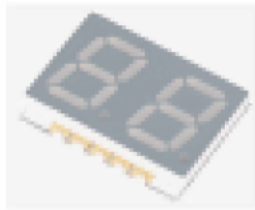
0.39" Dual digits SMD display



Part Number		Color	Wavelength(nm) λ D @ IF=20mA	V _r (V) @ IF=20mA	I _v (mcd) @ IF=10mA
Common Anode	Common Cathode				
PA2039A-IW	PA2039A-LW	White	8000K	3.1	50
PA2039A-IB	PA2039A-LB	Blue	470	3.1	10
PA2039A-IG	PA2039A-LG	Pure Green	520	3.1	15
PA2039A-IYG	PA2039A-LYG	Yellow Green	570	2.1	9
PA2039A-IY	PA2039A-LY	Yellow	590	2.1	10
PA2039A-IO	PA2039A-LO	Orange	605	2.1	10
PA2039A-IR	PA2039A-LR	Red	630	2.1	9

Package Dimension / Internal Circuit

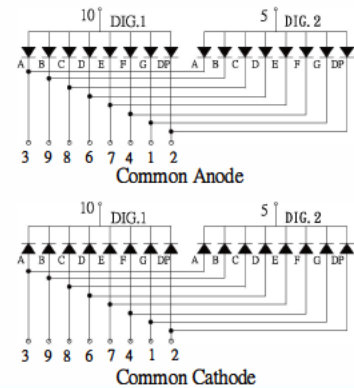
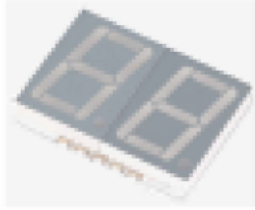
0.51" Dual digits SMD display



Part Number		Color	Wavelength(nm) λ D @ IF=20mA	V _F (V) @ IF=20mA	I _v (mcd) @ IF=10mA
Common Anode	Common Cathode				
PA2051A-IW	PA2051A-LW	White	8000K	3.1	60
PA2051A-IB	PA2051A-LB	Blue	470	3.1	12
PA2051A-IG	PA2051A-LG	Pure Green	520	3.1	24
PA2051A-IYG	PA2051A-LYG	Yellow Green	570	2.1	6
PA2051A-IY	PA2051A-LY	Yellow	590	2.1	9
PA2051A-IO	PA2051A-LO	Orange	605	2.1	9
PA2051A-IR	PA2051A-LR	Red	630	2.1	9

Package Dimension / Internal Circuit

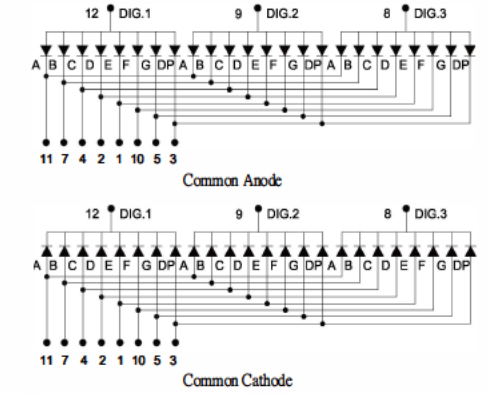
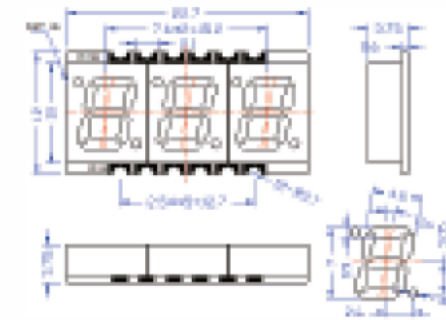
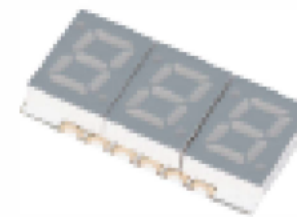
0.56" Dual digits SMD display



Part Number		Color	Wavelength(nm) λ D @ IF=20mA	V _F (V) @ IF=20mA	I _v (mcd) @ IF=10mA
Common Anode	Common Cathode				
PA2056A-IW	PA2056A-LW	White	8000K	3.1	65
PA2056A-IB	PA2056A-LB	Blue	470	3.1	16
PA2056A-IG	PA2056A-LG	Pure Green	520	3.1	24
PA2056A-IYG	PA2056A-LYG	Yellow Green	570	2.1	13
PA2056A-IY	PA2056A-LY	Yellow	590	2.1	16
PA2056A-IO	PA2056A-LO	Orange	605	2.1	16
PA2056A-IR	PA2056A-LR	Red	630	2.1	13

Package Dimension / Internal Circuit

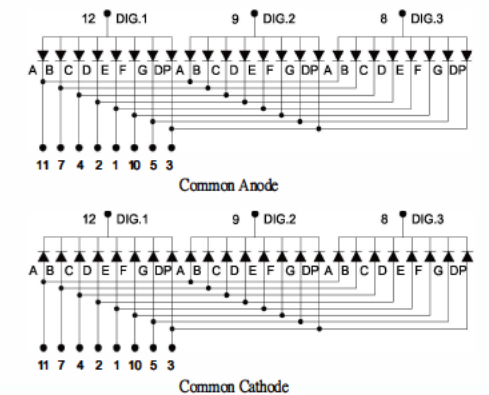
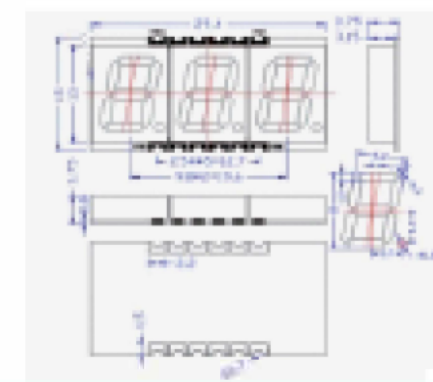
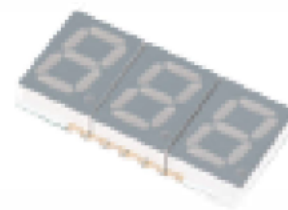
0.28" Three digits SMD display



Part Number		Color	Wavelength(nm) λ D @ IF=20mA	V _F (V) @ IF=20mA	I _v (mcd) @ IF=10mA
Common Anode	Common Cathode				
PA3028A-IB	PA3028A-LB	Blue	470	3.1	9
PA3028A-IG	PA3028A-LG	Pure Green	520	3.1	10
PA3028A-IYG	PA3028A-LYG	Yellow Green	570	2.1	6
PA3028A-IY	PA3028A-LY	Yellow	590	2.1	6
PA3028A-IO	PA3028A-LO	Orange	605	2.1	6
PA3028A-IR	PA3028A-LR	Red	630	2.1	6

Package Dimension / Internal Circuit

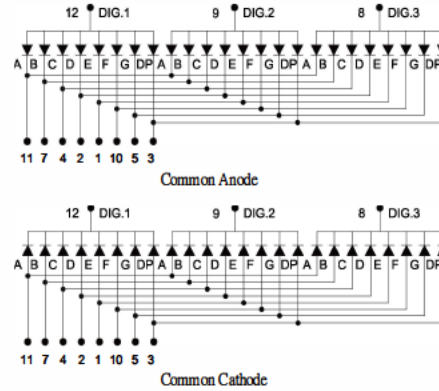
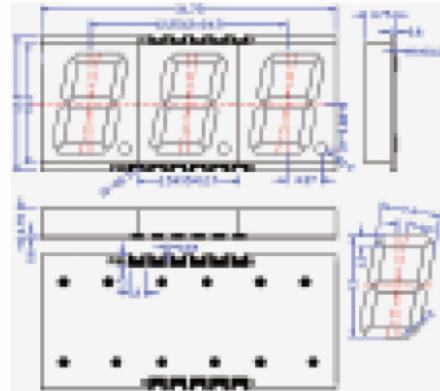
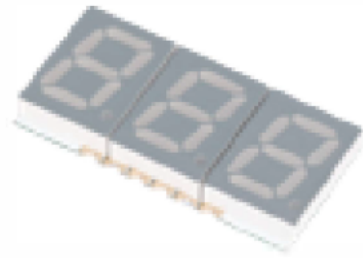
0.39" Three digits SMD display



Part Number		Color	Wavelength(nm) λ D @ IF=20mA	V _F (V) @ IF=20mA	I _v (mcd) @ IF=10mA
Common Anode	Common Cathode				
PA3039A-IW	PA3039A-LW	White	8000K	3.1	50
PA3039A-IB	PA3039A-LB	Blue	470	3.1	10
PA3039A-IG	PA3039A-LG	Pure Green	520	3.1	15
PA3039A-IYG	PA3039A-LYG	Yellow Green	570	2.1	9
PA3039A-IY	PA3039A-LY	Yellow	590	2.1	10
PA3039A-IO	PA3039A-LO	Orange	605	2.1	10
PA3039A-IR	PA3039A-LR	Red	630	2.1	9

Package Dimension / Internal Circuit

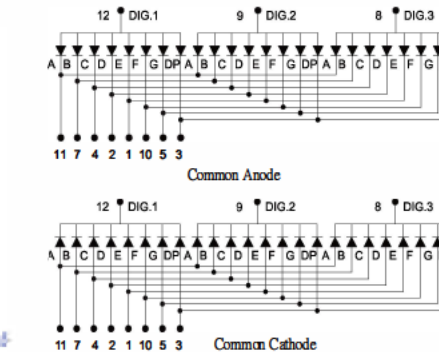
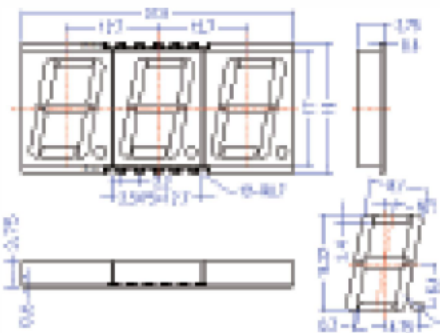
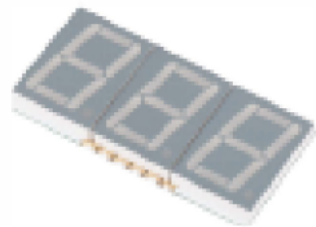
0.51" Three digits SMD display



Part Number		Color	Wavelength(nm) λ D @ IF=20mA	V _F (V) @ IF=20mA	I _v (mcd) @ IF=10mA
Common Anode	Common Cathode				
PA3051A-IW	PA3051A-LW	White	8000K	3.1	60
PA3051A-IB	PA3051A-LB	Blue	470	3.1	12
PA3051A-IG	PA3051A-LG	Pure Green	520	3.1	24
PA3051A-IYG	PA3051A-LYG	Yellow Green	570	2.1	6
PA3051A-IY	PA3051A-LY	Yellow	590	2.1	9
PA3051A-IO	PA3051A-LO	Orange	605	2.1	9
PA3051A-IR	PA3051A-LR	Red	630	2.1	9

Package Dimension / Internal Circuit

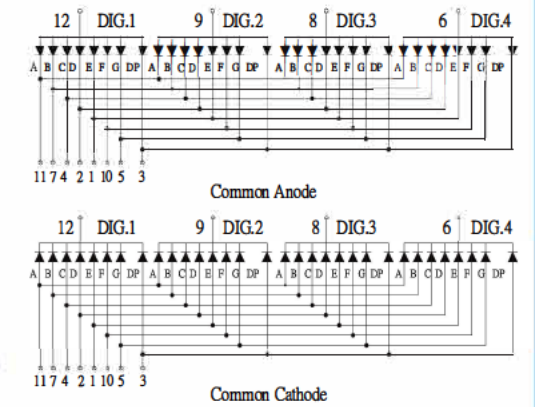
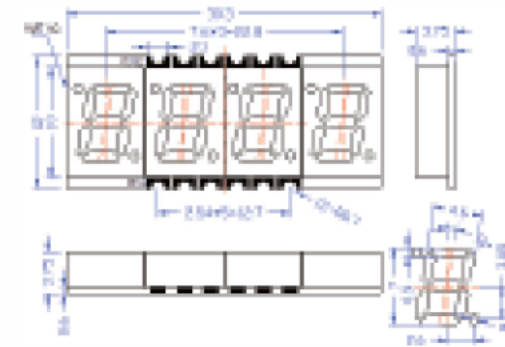
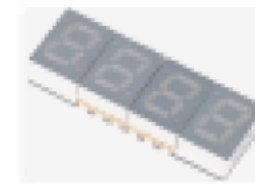
0.56" Three digits SMD display



Part Number		Color	Wavelength(nm) λ D @ IF=20mA	V _F (V) @ IF=20mA	I _v (mcd) @ IF=10mA
Common Anode	Common Cathode				
PA3056A-IW	PA3056A-LW	White	8000K	3.1	65
PA3056A-IB	PA3056A-LB	Blue	470	3.1	16
PA3056A-IG	PA3056A-LG	Pure Green	520	3.1	24
PA3056A-IYG	PA3056A-LYG	Yellow Green	570	2.1	13
PA3056A-IY	PA3056A-LY	Yellow	590	2.1	16
PA3056A-IO	PA3056A-LO	Orange	605	2.1	16
PA3056A-IR	PA3056A-LR	Red	630	2.1	13

Package Dimension / Internal Circuit

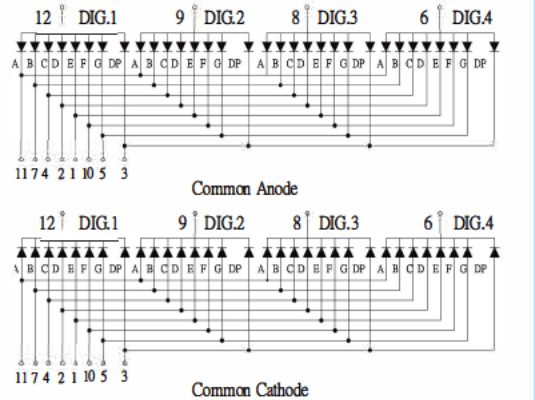
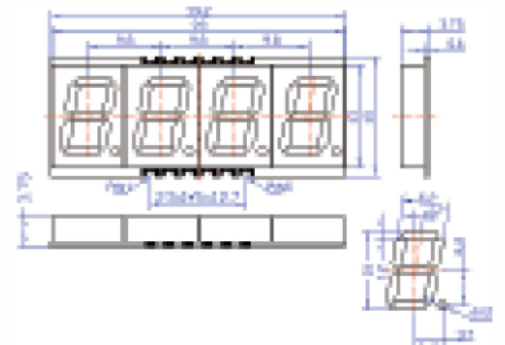
0.28" Four digits SMD display



Part Number		Color	Wavelength(nm) λ D @ IF=20mA	V _F (V) @ IF=20mA	I _v (mcd) @ IF=10mA
Common Anode	Common Cathode				
PA4028A-IB	PA4028A-LB	Blue	470	3.1	9
PA4028A-IG	PA4028A-LG	Pure Green	520	3.1	10
PA4028A-IYG	PA4028A-LYG	Yellow Green	570	2.1	6
PA4028A-IY	PA4028A-LY	Yellow	590	2.1	6
PA4028A-IO	PA4028A-LO	Orange	605	2.1	6
PA4028A-IR	PA4028A-LR	Red	630	2.1	6

Package Dimension / Internal Circuit

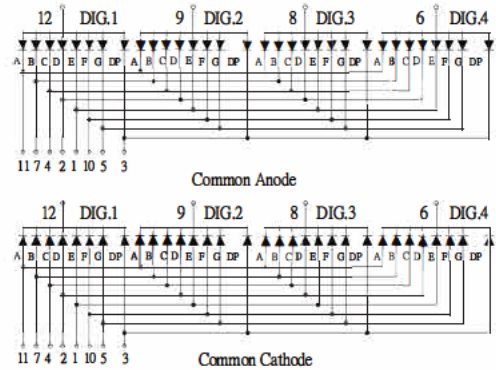
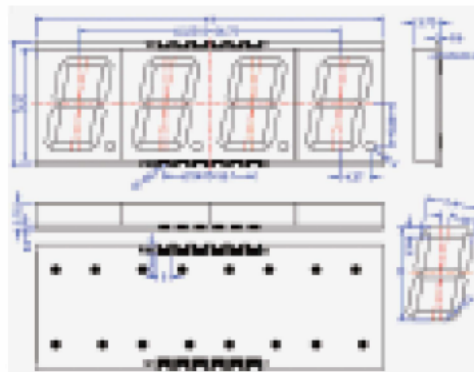
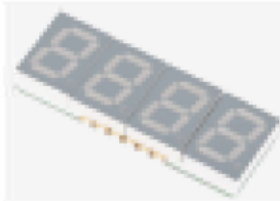
0.39" Four digits SMD display



Part Number		Color	Wavelength(nm) λ D @ IF=20mA	V _F (V) @ IF=20mA	I _v (mcd) @ IF=10mA
Common Anode	Common Cathode				
PA4039A-IW	PA4039A-LW	White	8000K	3.1	50
PA4039A-IB	PA4039A-LB	Blue	470	3.1	10
PA4039A-IG	PA4039A-LG	Pure Green	520	3.1	15
PA4039A-IYG	PA4039A-LYG	Yellow Green	570	2.1	9
PA4039A-IY	PA4039A-LY	Yellow	590	2.1	10
PA4039A-IO	PA4039A-LO	Orange	605	2.1	10
PA4039A-IR	PA4039A-LR	Red	630	2.1	9

Package Dimension / Internal Circuit

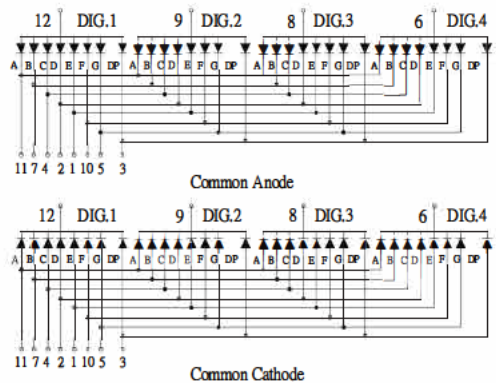
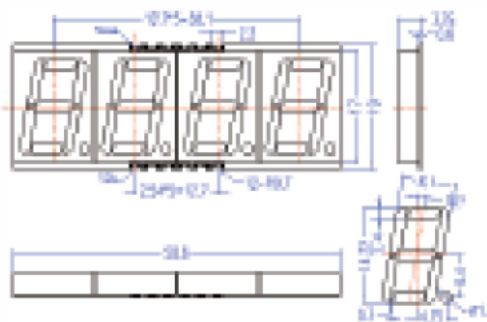
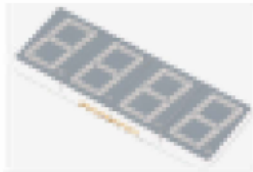
0.51" Four digits SMD display



Part Number		Color	Wavelength(nm) $\lambda D @ IF=20mA$	$V_F(V) @ IF=20mA$	$I_v(mcd) @ IF=10mA$
Common Anode	Common Cathode				
PA4051A-IW	PA4051A-LW	White	8000K	3.1	60
PA4051A-IB	PA4051A-LB	Blue	470	3.1	12
PA4051A-IG	PA4051A-LG	Pure Green	520	3.1	24
PA4051A-IYG	PA4051A-LYG	Yellow Green	570	2.1	6
PA4051A-IY	PA4051A-LY	Yellow	590	2.1	9
PA4051A-IO	PA4051A-LO	Orange	605	2.1	9
PA4051A-IR	PA4051A-LR	Red	630	2.1	9

Package Dimension / Internal Circuit

0.56" Four digits SMD display



Part Number		Color	Wavelength(nm) $\lambda D @ IF=20mA$	$V_F(V) @ IF=20mA$	$I_v(mcd) @ IF=10mA$
Common Anode	Common Cathode				
PA4056A-IW	PA4056A-LW	White	8000K	3.1	65
PA4056A-IB	PA4056A-LB	Blue	470	3.1	16
PA4056A-IG	PA4056A-LG	Pure Green	520	3.1	24
PA4056A-IYG	PA4056A-LYG	Yellow Green	570	2.1	13
PA4056A-IY	PA4056A-LY	Yellow	590	2.1	16
PA4056A-IO	PA4056A-LO	Orange	605	2.1	16
PA4056A-IR	PA4056A-LR	Red	630	2.1	13