

DESCRIPTION:

350W Wide input AC/DC switching power supply

The rated output power of PPC/LR-350-XS series is 350W, input voltage range 90-264VAC, output voltage : 12V,24V. High reliability, precision,efficiency ,no external heat sink required, stable output voltage and etc, with short circuit, over-load,over-voltage protection, Widely used in telecommunications, industrial control, instrument, data acquisition, signal control , New Energy, Security,and other electronic systems.

FEATURES

AC input 90~132VAC / 180~264VAC	100% full load burn-in test	short circuit, over-load,over-voltage protection
Operating temperature -25°C~70°C	RoHS complaint	All using 105°C long life electrolytic capacitors
Altitude up to 5000m	High efficiency, long life and high reliability	/

SELECTION GUIDE

Part Number	Input		Output					Efficiency @25°C, (Typ) %
	Volatge (VAC)		Voltage (VDC)	Pre-set voltage @25°C(V)	Rated current (A)	Current range(A)	Rated power(W)	
	Rated	Range values						
PPC/LR-350-12S	220	90-132 / 180-264	12	12.00-12.10	29.17	0-29.17	350	≥85
PPC/LR-350-24S	220	90-132 / 180-264	24	24.00-24.10	14.58	0-14.58	350	≥87

All specifications typical at TA=25°C, nominal input voltage and rated output current unless otherwise specified.

OUTPUT CHARACTERISTICS

Conditions	Conditions	Parameter
Ripple and noise,Ta is ambient 0<Ta≤70°C	12V 24V output voltage	≤150mVp-p
Ripple and noise,Ta is ambient -25<Ta≤0°C	12V 24V output voltage	≤300mVp-p
Dynamic load characteristics, -25<Ta≤70°C	12V output voltage	2.917A-29.17A: <±1200mV 2.917 A-14.585A: <±600mV 14.585 A-29.17A: <±600mV
	24V output voltage	1.458A-14.58A: <±2400mV 1.458A-7.29A: <±1200mV 7.29A-14.58A: <±1200mV
Output adjustment range @25°C	12V output voltage	10.2V~13.8V
	24V output voltage	21.6V-28.8V
Voltage regulation@-25~70°C		±1.5% @12V, ±1.0% @24V
Line regulation@-25~70°C		±0.5%
Load regulation@-25~70°C		±1.0%@12V ±0.5% @24V
Temp. coefficient@-25~70°C		±0.03%/°C
Set-up time@25°C		≤2.3S / 50mS(230Vac/115Vac input, @12V 29.17A load) ≤2.3S / 50mS(230Vac/115Vac input, @24V 14.58A load)
Hold-up time@25°C		≥16mS(230Vac input, @14.58A load) ≥12mS(115Vac input, @14.58A load)
Overshoot&Undershoot@-25~70°C		<5.0%

INPUT CHARACTERISTICS

Conditions	Parameter
Input voltage range	90Vac~132Vac 180Vac~264Vac switching
Rated input voltage range	100Vac~120Vac 200-240Vac
Frequency Range	47Hz~63Hz
Set-up voltage@-25~70°C	90/180Vac (90/180VAC 30% load set-up, 100/200VAC 60% load set-up @25°C)
Input current@25°C	≤6.8A@115Vac / ≤3.4A@230Vac
Inrush current @25°C	≤60A@115/230Vac Cold start

PROTECTION @-25~70°C

Conditions	Parameter
Over-power	Power:367.5-525W, Hiccup mode, auto recovery
Over-voltage	Output voltage 13.8V~16.2V@12V,28.8V~33.6V@24V, constant voltage, auto recovery
Over-load	Current:30.63A~43.75A@12V,15.31A~21.88A@24V Hiccup mode, auto recovery
Output short circuit protection	Long-term mode, Auto recovery

ENVIRONMENT CHARACTERISTICS

Conditions	Parameter
Operating amb. Temp.&Humi.	-25°C~70°C; 20%~90%RH No condensing (refer to the derating curve)
Storage Temp. & Humi.	-40°C~85°C; 10%~95%RH No condensing
Vibration	10 ~ 500Hz, 5G 10min./1cycle, period for60min. each along X,Y, Z axes
Pulse	20G/11mS pulse ,3 times at each X,Y,Z axes
Altitude	5000m

SAFETY&EMC STANDARDS @25°C

Conditions	Parameter
Safety Standards	GB4943 / EN60950 for reference
Withstand Voltage	I/P-O/P:3.0kVac/10mA; I/P-FG:2kVac/10mA; O/P-FG:0.5kVdc/10mA test time:1min.
Grounding test	Test condition: 40A / 2min.; Grounding resistance: <0.1 ohms.
Leakage Current	I/P-Grounding≤2.0mA; I/P-O/P ≤0.25mA 240Vac
Isolation resistance	I/P-O/P: 10M ohms; I/P-FG : 10M ohms; O/P-FG : 10M ohms
EMC emission	EN55032 Class B/FCC Part15 Class B
EMC immunity	EN61000-4-2,3,4,5,6,8,11

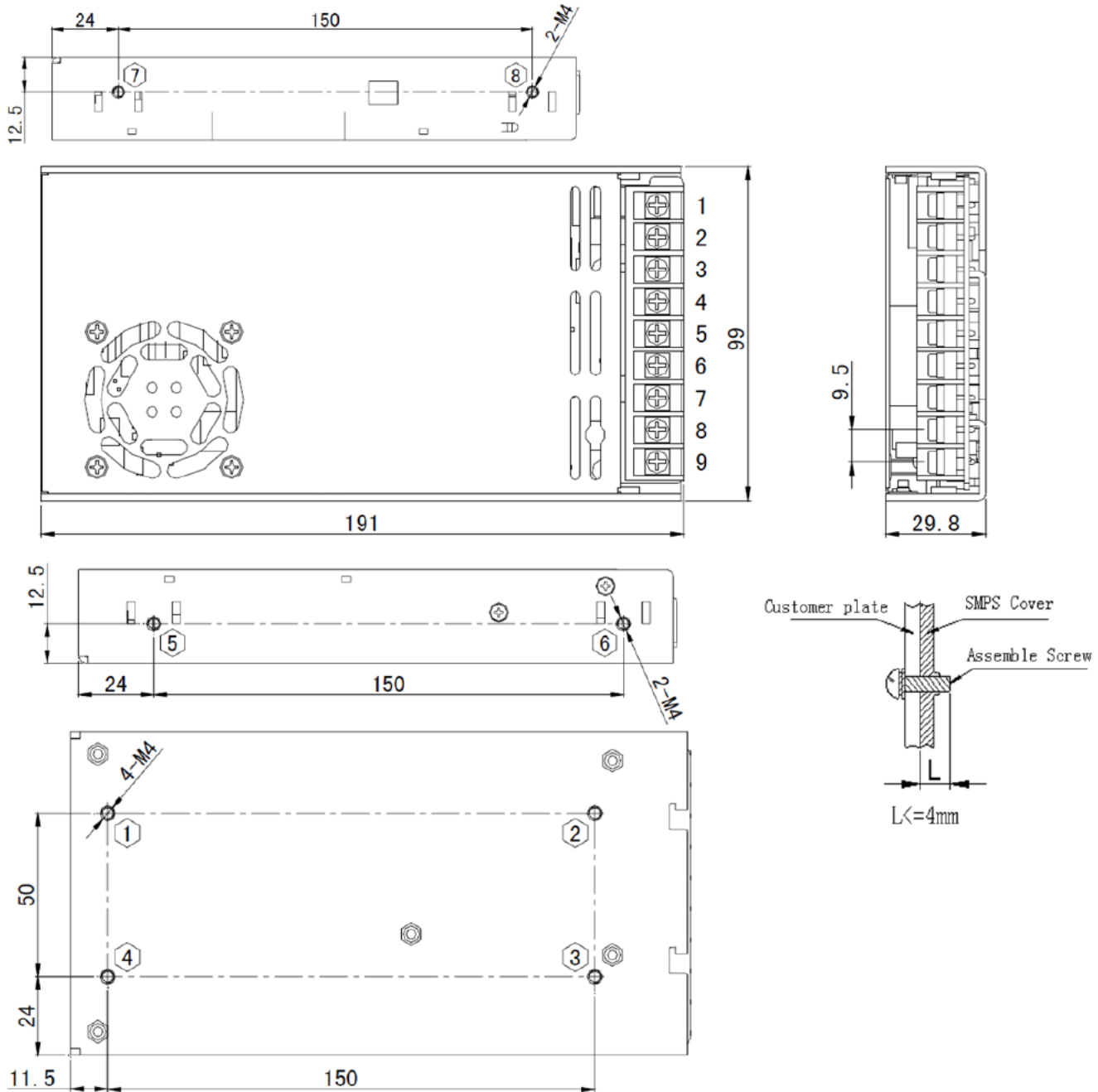
OTHERS

Conditions	Parameter
Cooling method	Cooling by free air flow
Dimension (L*W*H)	190*99*30mm
Net Weight	0.57kg

RELIABILITY CHARACTERISTICS

Conditions	Parameter
MTBF	100,000Hrs AT 25°C, MIL-217 Method 2 Components Stress Method
Design electrolytic capacitor life-time	>2years AT 50°C 230VAC input 80% output

MECHANICAL DIMENSIONS



1. Mounting Way

Mounting position	Mounting type	Mounting position No.	Screw Type	L max	Mounting Torque(max)
Bottom mounting	Fixing by Screw	①-④	M4	4mm	12Kgf.cm
Side mounting		⑤-⑧	M4	4mm	

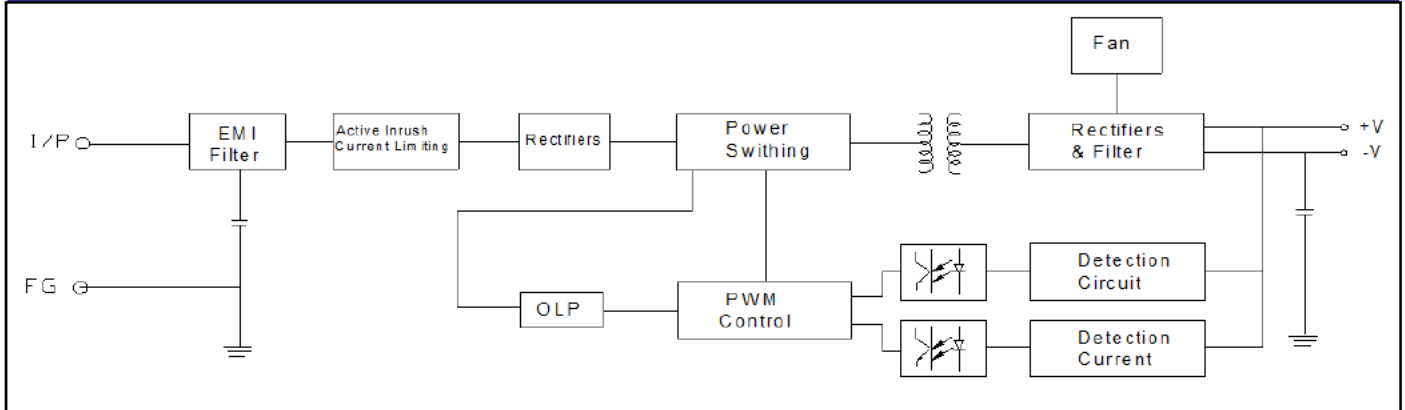
2. Instruction of AC output Connector

Part No.	Function	Connector	Requirement	Torque(max)
1	AC-L	95 Terminal Block	22-12AWG	11Kgf.cm
2	AC-N			
3	⊕			

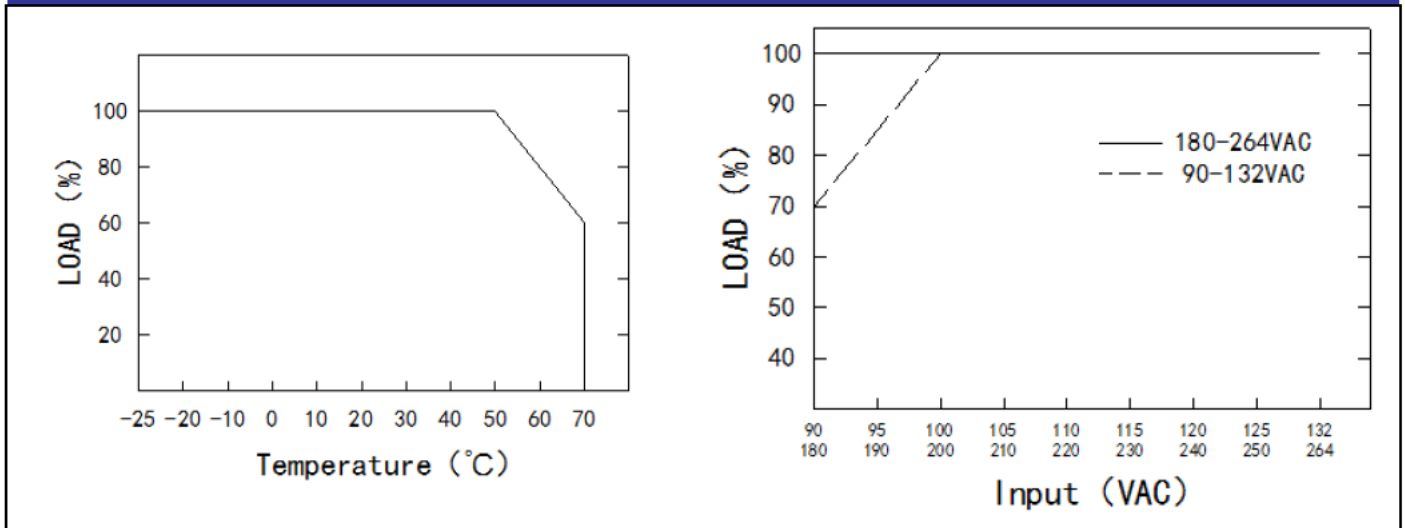
3. Instruction of DC output Connector

Part No.	Function	Connector	Requirement	Torque(max)
4/5/6	-V	95 Terminal Block	22-12AWG	11Kgf.cm
7/8/9	+V			

BLOCK DIAGRAM



DERATING CURVE



MODEL SELECTION

