



DESCRIPTION: 3W 3KVAC Isolation Wide Input AC/DC Converters

The rated output power of PP03AA series is 3W with wide input voltage range, for both AC input and DC input application. High reliability, precision, large power density, ultra-small size, no external heat sink required, stable output voltage and etc, with over current protection, EMI filter circuit, the rectifier filter circuit, 3000V isolation voltage, short circuit, overload, internal thermal protection, Widely used in telecommunications, industrial control, instrument, data acquisition, signal control and other electronic systems.

FEATURES

Universal input voltage range	Both for AC and DC input voltage	Wide input voltage:2:1 and 4:1
Fixed switching frequency	Overheat protection	Over current protection
Short circuit protection	RoHS compliant	Operating temperature : -40℃ to 70℃

SELECTION GUIDE

Part Number	Input Voltage		Output		Efficiency (Typ.) %	Recommend output external capacitor		
	Rated	Range values (VAC)	Voltage (VDC)	Current (A)		C1	C2	C3
PP03AA220S05	220(2:1)	165-265	5	0.5	71	0.1uF/50V	330uF/16V	/
PP03AA220S12	220(2:1)	165-265	12	0.22	76	0.1uF/50V	220uF/25V	/
PP03AA220S15	220(2:1)	165-265	15	0.17	77	0.1uF/50V	220uF/25V	/
PP03AA220S24	220(2:1)	165-265	24	0.11	77	0.1uF/50V	100uF/35V	/
PP03AA220D05	220(2:1)	165-265	±5	±0.25	71	0.1uF/50V	220uF/16V	/
PP03AA220D12	220(2:1)	165-265	±12	±0.11	76	0.1uF/50V	100uF/25V	/
PP03AA220D15	220(2:1)	165-265	±15	±0.09	78	0.1uF/50V	100uF/25V	/
PP03AA220D05P05	220(2:1)	165-265	+5/+5	0.4/0.1	71	0.1uF/50V	330uF/16V	220uF/16V
PP03AA220D05P12	220(2:1)	165-265	+5/+12	0.3/0.1	73	0.1uF/50V	330uF/16V	100uF/25V
PP03AA220D05P15	220(2:1)	165-265	+5/+15	0.3/0.08	73	0.1uF/50V	330uF/16V	100uF/25V
PP03AA220D05P24	220(2:1)	165-265	+5/+24	0.25/0.06	73	0.1uF/50V	330uF/16V	47uF/35V
PP03AA220S03W	220(4:1)	85-265	3.3	0.7	71	0.1uF/50V	330uF/16V	/
PP03AA220S05W	220(4:1)	85-265	5	0.5	71	0.1uF/50V	330uF/16V	/
PP03AA220S12W	220(4:1)	85-265	12	0.22	76	0.1uF/50V	220uF/25V	/
PP03AA220S15W	220(4:1)	85-265	15	0.17	77	0.1uF/50V	220uF/25V	/
PP03AA220S24W	220(4:1)	85-265	24	0.11	77	0.1uF/50V	100uF/35V	/
PP03AA220D05W	220(4:1)	85-265	±5	±0.25	71	0.1uF/50V	220uF/16V	/
PP03AA220D12W	220(4:1)	85-265	±12	±0.11	76	0.1uF/50V	100uF/25V	/
PP03AA220D15W	220(4:1)	85-265	±15	±0.09	78	0.1uF/50V	100uF/25V	/
PP03AA220D05P03W	220(4:1)	85-265	+5/+3.3	0.4/0.1	70	0.1uF/50V	330uF/16V	220uF/16V
PP03AA220D05P05W	220(4:1)	85-265	+5/+5	0.4/0.1	71	0.1uF/50V	330uF/16V	220uF/16V
PP03AA220D05P12W	220(4:1)	85-265	+5/+12	0.3/0.1	73	0.1uF/50V	330uF/16V	100uF/25V
PP03AA220D05P15W	220(4:1)	85-265	+5/+15	0.3/0.08	73	0.1uF/50V	330uF/16V	100uF/25V
PP03AA220D05P24W	220(4:1)	85-265	+5/+24	0.25/0.06	73	0.1uF/50V	330uF/16V	47uF/35V

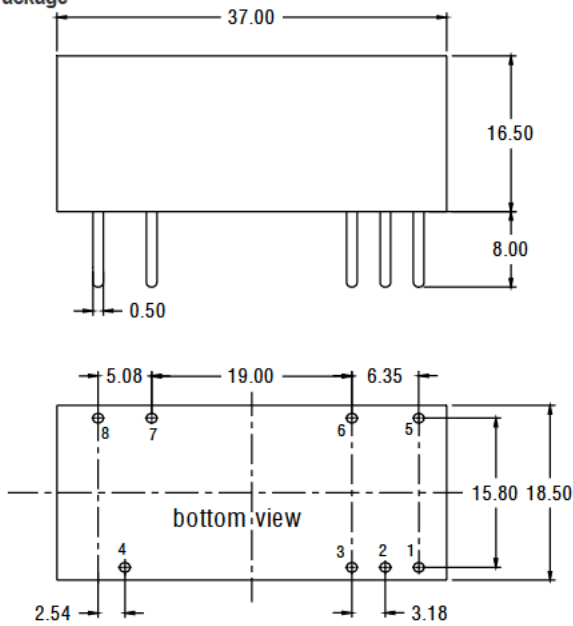
All specifications typical at TA=25°C, nominal input voltage and rated output current unless otherwise specified.

GENERAL CHARACTERISTICS					
Parameter	Conditions	Min.	Typ.	Max.	Units
Isolation voltage	Input / Output 1 minute, leakage current 2mA		3000		VAC
Seismic	10-55Hz	5	5		G
Over current protection	Full input range		Auto recovery		
Cooling	Free air convection				
Case material	Flame-retardant plastic				
INPUT CHARACTERISTICS					
Parameter	Conditions	Min.	Typ.	Max.	Units
Startup voltage	220VAC In module(165V-265V)	165	220	265	VAC
Startup voltage	220VAC In module(85V-265V)	85	220	265	VAC
Start rising time	Non-capacitive load	20			ms
OUTPUT CHARACTERISTICS					
Parameter	Conditions	Min.	Typ.	Max.	Units
Voltage accuracy	$I_o=0.1 \dots 1.0 \times I_{onom}$ $V_i=V_i$ rated			±3	%
				±5	%
Line regulation	$V_{imin} \leq V_i \leq V_{imax}$		±0.5		%
Load regulation	$I_o=0.1 \dots 1.0 \times I_{onom}$ $V_{imin} \leq V_i \leq V_{imax}$		±1		%
Auxiliary voltage accuracy	Main Load and auxiliary load differ 25%,the auxiliary circuit of the load with at least 25%			±3	%
Ripple and noise	20MHz bandwidth			±1	%
Over-current protection	$V_{imin} \leq V_i \leq V_{imax}$	120			%
Switch frequency	$V_{imin} \leq V_i \leq V_{imax}$		100K		Hz
ENVIRONMENT CHARACTERISTICS					
Parameter	Conditions	Min.	Typ.	Max.	Units
Operating temperature	industrial-class	-40		+70	°C
Maximum case temperature	industrial-class			+95	°C
Storage temperature	Industry-class	-30		+105	°C
Relative humidity	No condensation	25		90	RH(%)
Temperature coefficient			±0.02		%/°C

- Case temperature shall not exceed the maximum case temperature.

MECHANICAL DIMENSIONS

DIP Package



* Pin not fitted on single output variants

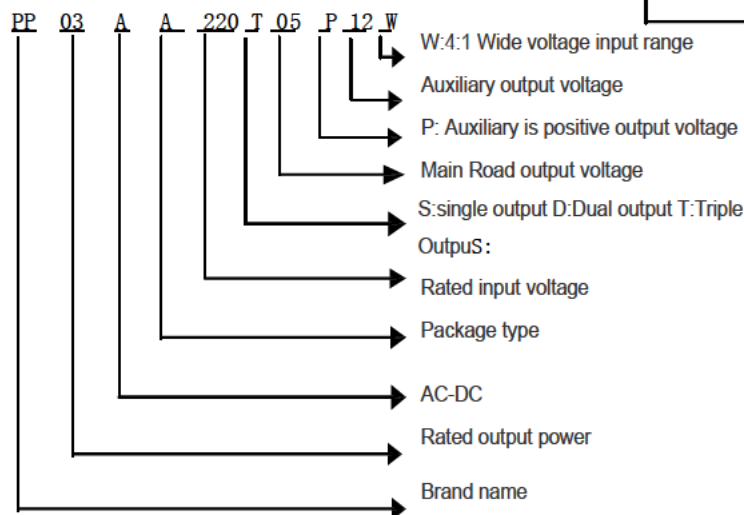
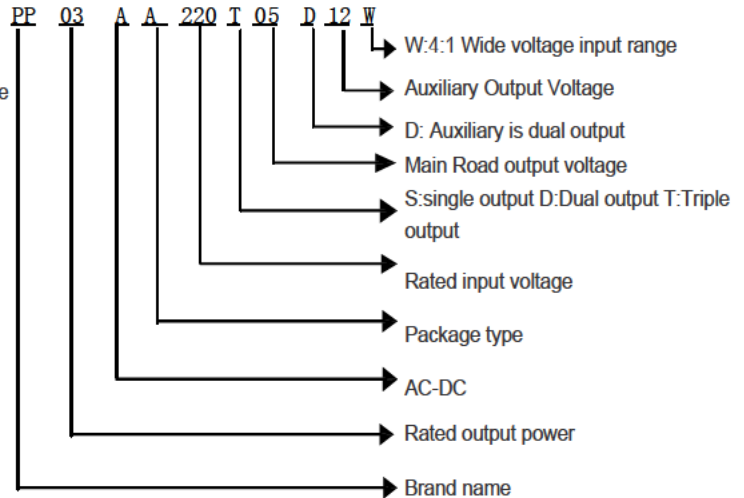
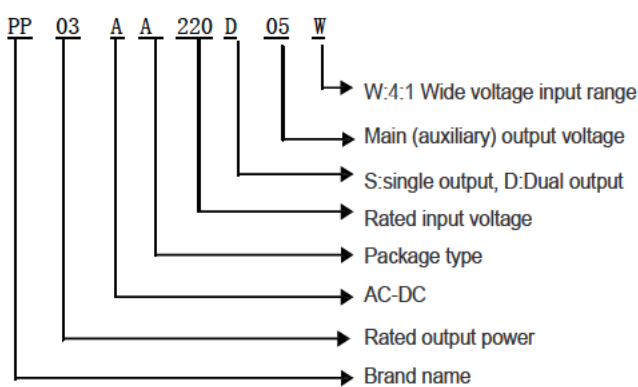
Units:mm

Tolerance:±0.2mm

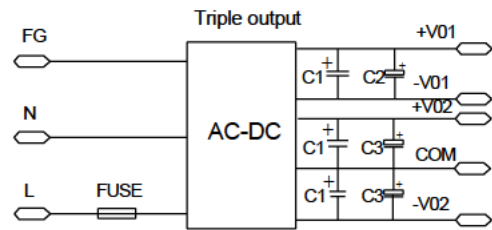
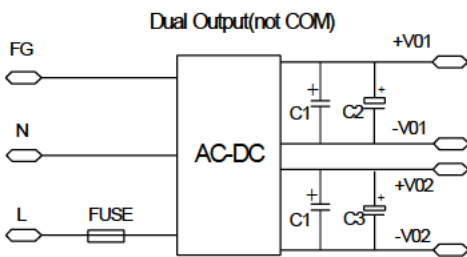
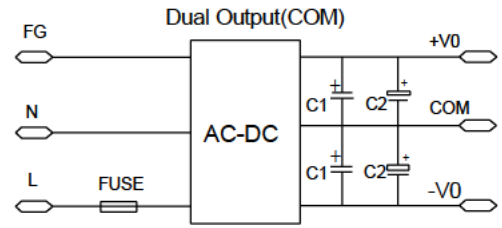
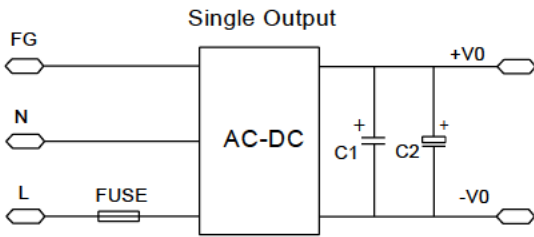
PIN CONNECTIONS

Pin	Single output	Dual output (Com)	Dual output (NC)
1	Vo	Vo1	+Vo1
2	NC	NC	NC
3	GND	GND	-Vo1
4	P	P	P
5	NC	Vo2	+Vo2
6	GND	GND	-Vo2
7	N	N	N
8	L	L	L

MODEL SELECTION



RECOMMEND CIRCUIT



- Notes: 1. The value of C1, C2, C3 should refer to the output external capacitor table at page one
2. Fuse : 1A/250VAC slow-break type , must be connected

USING ATTENTIONS

- Module will cause irreversible damage when it in the long-term overload state.
- Module will cause irreversible damage when it out of the state maximum input voltage range