

Patron

Passive Elektronik

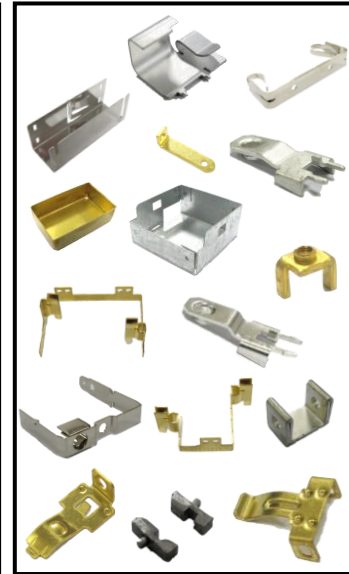
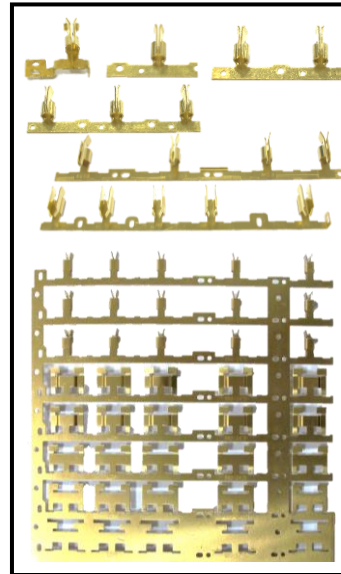
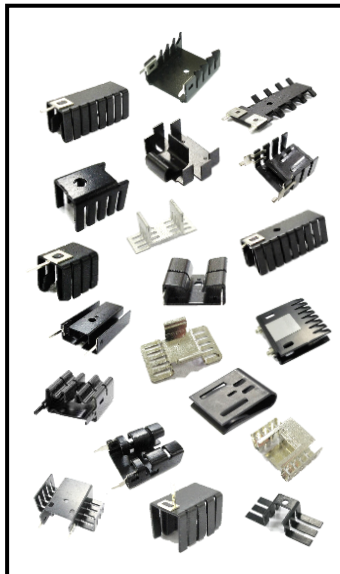
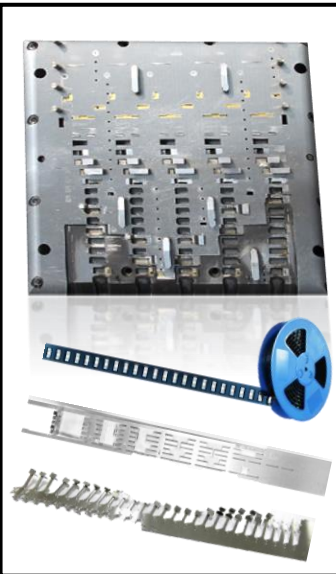
Progressive Tooling

**Design &
Fabrication**

**Board Level
Heat Sinks**

**Copper
Bussbar**

**Other
Stamping**

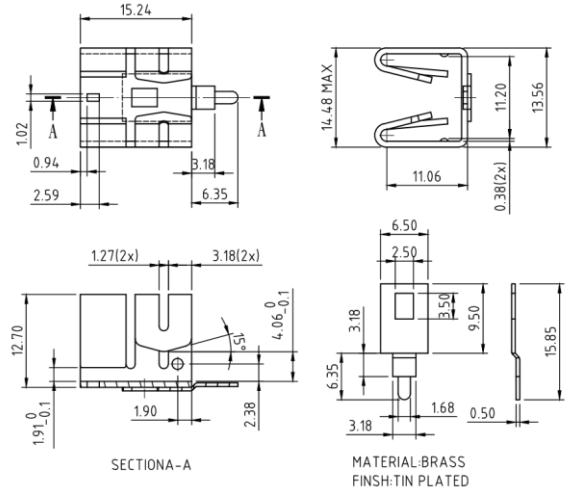


Custom and Standard Stamping Products

PAT-001A-0301 (AL5052 T=0.8 mm Black Anodized)



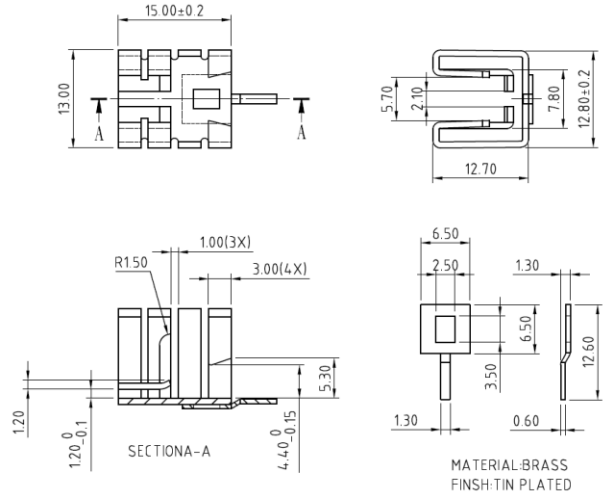
Thermal Resistance 36
Package Cooled TO-220
 TO-262



PAT-001A-0401 (AL5052 T=0.8 mm Black Anodized)



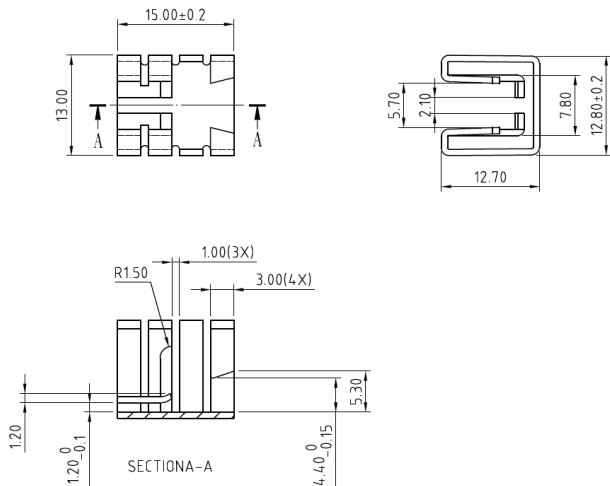
Thermal Resistance 35
Package Cooled TO-220
 TO-262



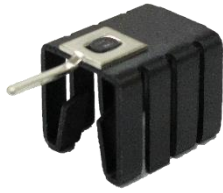
PAT-001A-0403 (AL5052 T=0.8 mm Black Anodized)



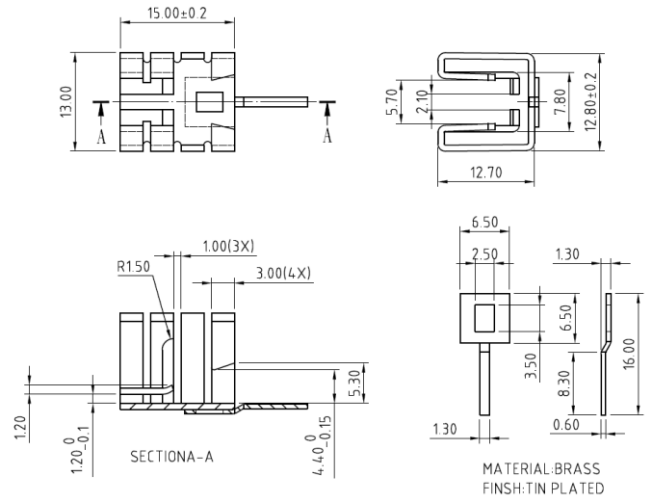
Thermal Resistance 35
Package Cooled TO-220
 TO-262



PAT-001A-0404 (AL5052 T=0.8 mm Black Anodized)



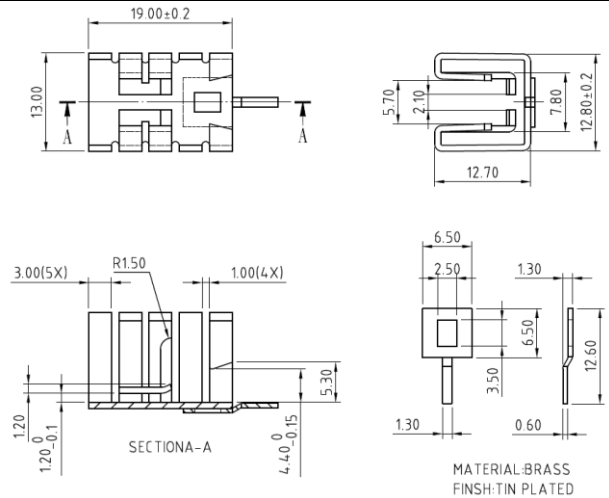
Thermal Resistance 35
Package Cooled TO-220
 TO-262



PAT-001A-0501 (AL5052 T=0.8 mm Black Anodized)



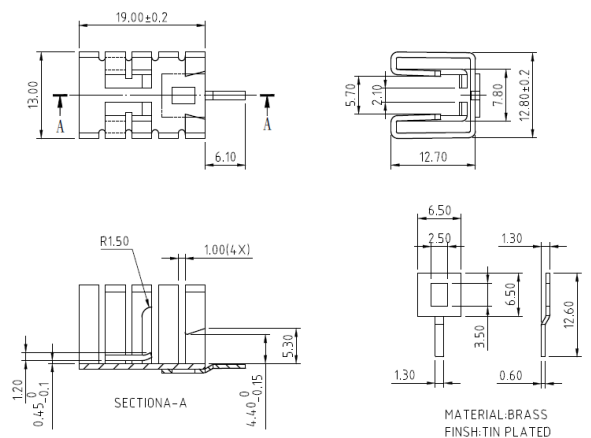
Thermal Resistance 27.3
Package Cooled TO-220
 TO-262



PAT-001A-0501-1 (AL5052 T=0.8 mm Black Anodized)



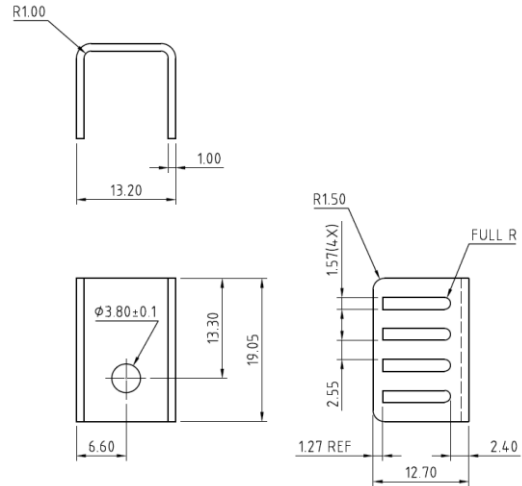
Thermal Resistance 27.3
Package Cooled TO-220
 TO-262



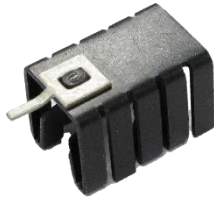
PAT-001A-0501-A (AL5052 T=0.8 mm Black Anodized)



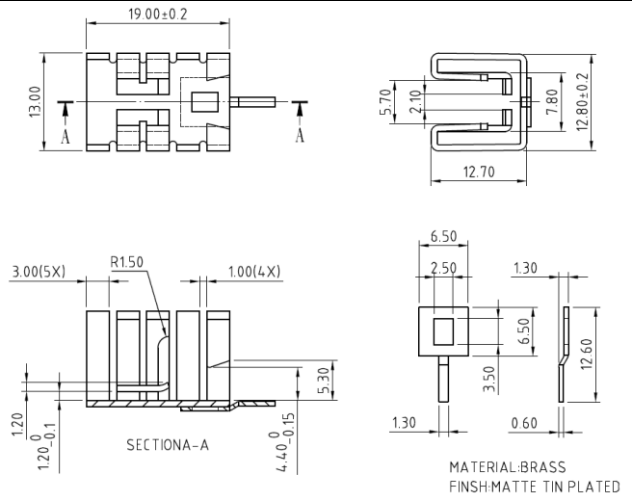
Thermal Resistance 27.3
Package Cooled TO-220
 TO-262



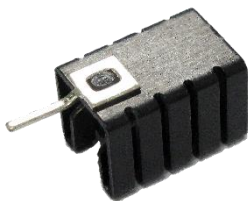
PAT-001A-0501-PM (AL5052 T=0.8 mm Black Anodized)



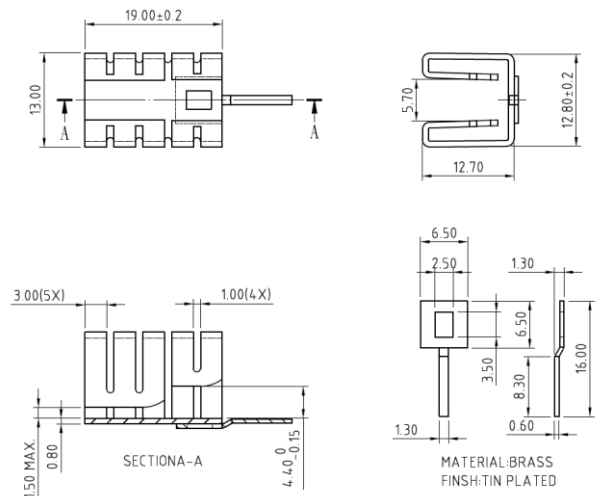
Thermal Resistance 27.3
Package Cooled TO-220
 TO-262



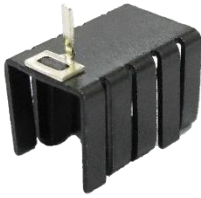
PAT-001A-0501-S (AL5052 T=0.8 mm Black Anodized)



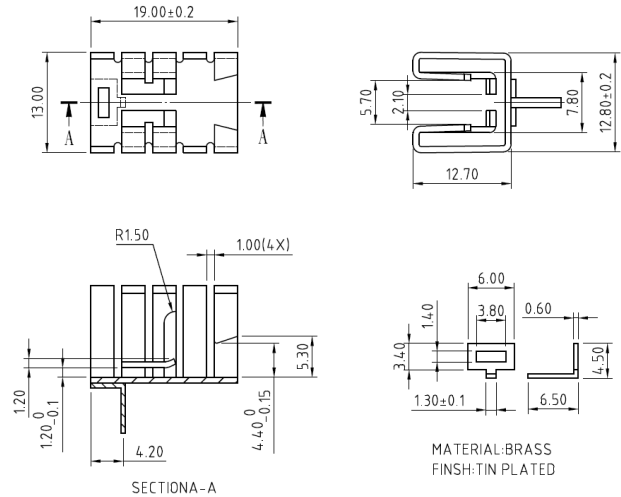
Thermal Resistance 27.3
Package Cooled TO-220
 TO-262



PAT-001A-0502 (AL5052 T=0.8 mm Black Anodized)



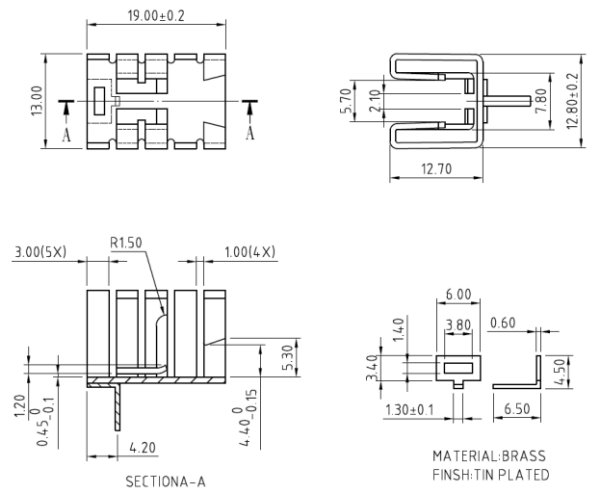
Thermal Resistance 27.3
Package Cooled TO-220
 TO-262



PAT-001A-0502-1 (AL5052 T=0.8 mm Black Anodized)



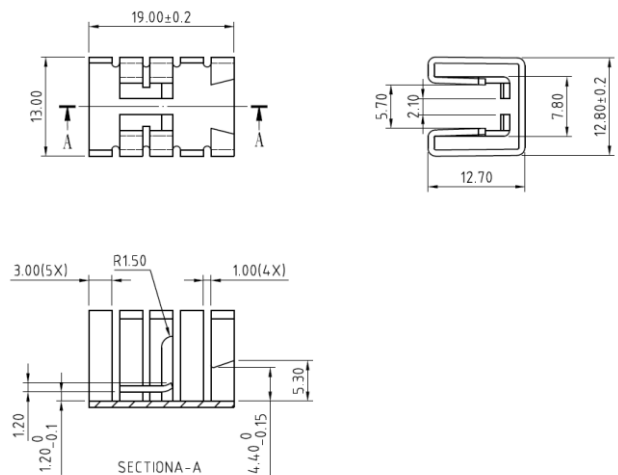
Thermal Resistance 27.3
Package Cooled TO-220
 TO-262



PAT-001A-0503 (AL5052 T=0.8 mm Black Anodized)



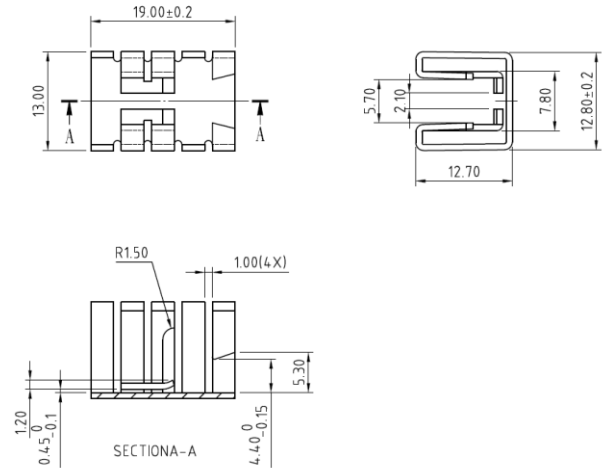
Thermal Resistance 27.3
Package Cooled TO-220
 TO-262



PAT-001A-0503-1 (AL5052 T=0.8 mm Black Anodized)



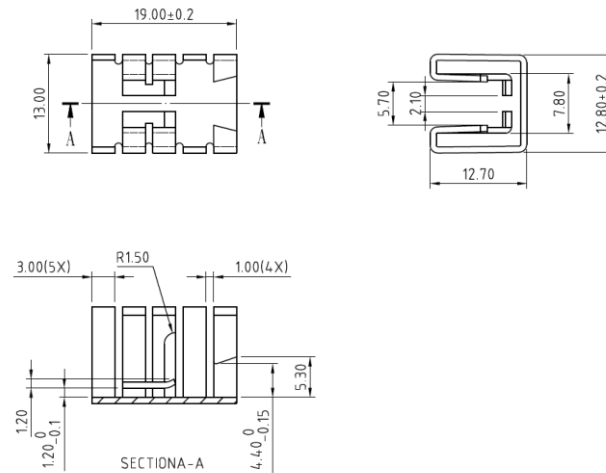
Thermal Resistance 27.3
Package Cooled TO-220
 TO-262



PAT-001A-0503-C (AL5052 T=0.8 mm Clean Only)



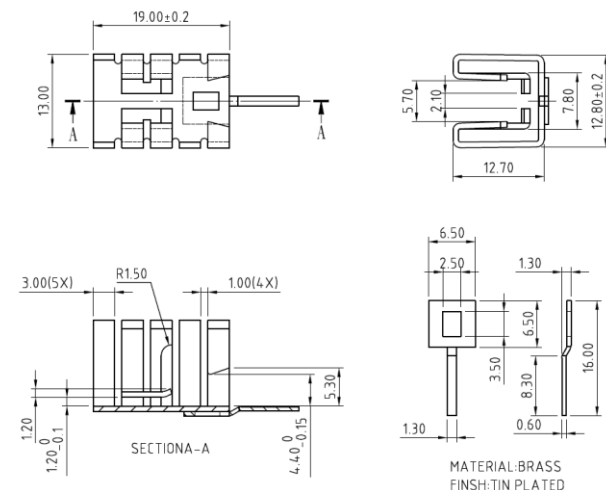
Thermal Resistance 27.3
Package Cooled TO-220
 TO-262



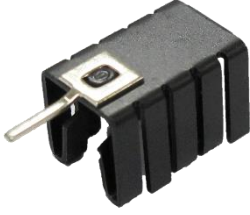
PAT-001A-0504 (AL5052 T=0.8 mm Black Anodized)



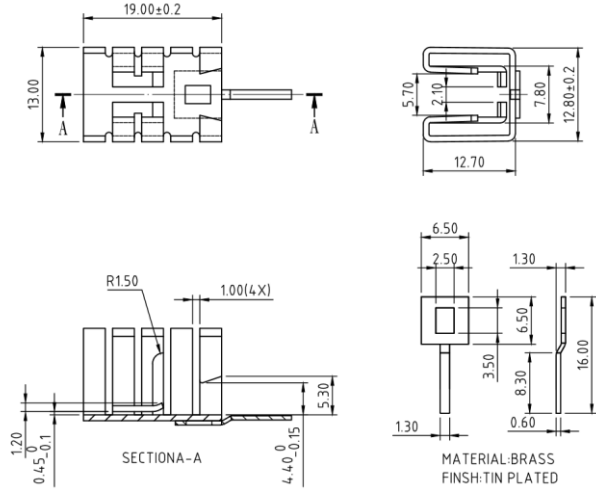
Thermal Resistance 27.3
Package Cooled TO-220
 TO-262



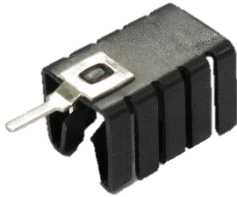
PAT-001A-0504-1 (AL5052 T=0.8 mm Black Anodized)



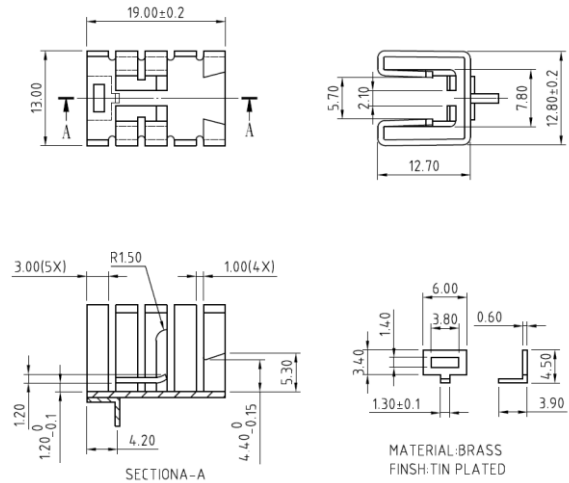
Thermal Resistance 27.3
Package Cooled TO-220
 TO-262



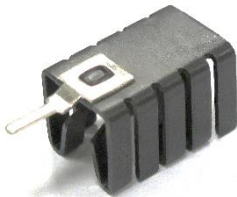
PAT-001A-0505 (AL5052 T=0.8 mm Black Anodized)



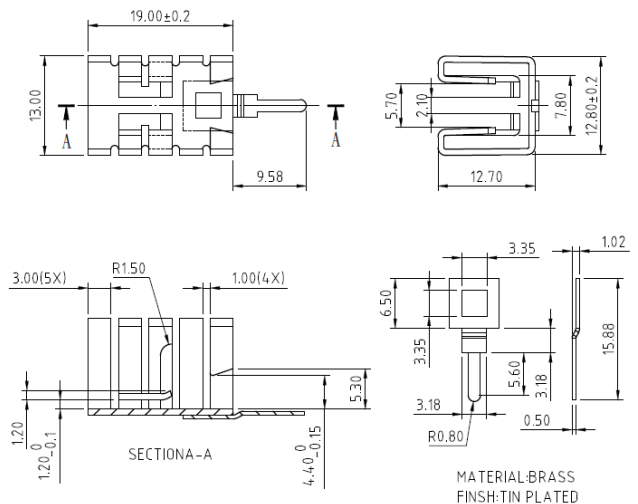
Thermal Resistance 27.3
Package Cooled TO-220
 TO-262



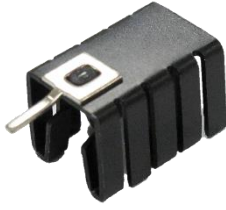
PAT-001A-0506 (AL5052 T=0.8 mm Black Anodized)



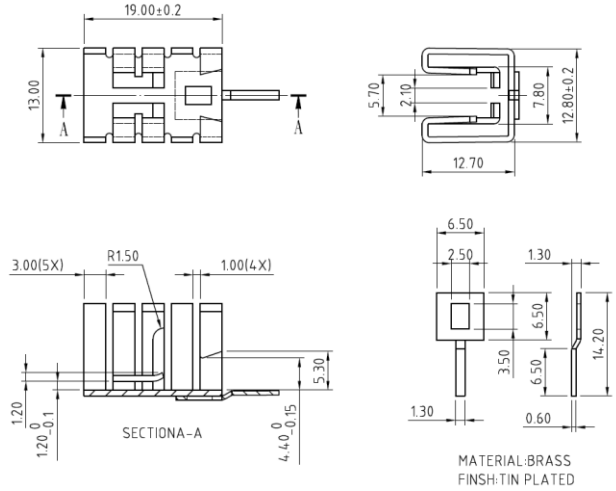
Thermal Resistance 27.3
Package Cooled TO-220
 TO-262



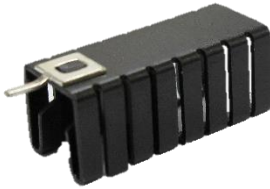
PAT-001A-0508 (AL5052 T=0.8 mm Black Anodized)



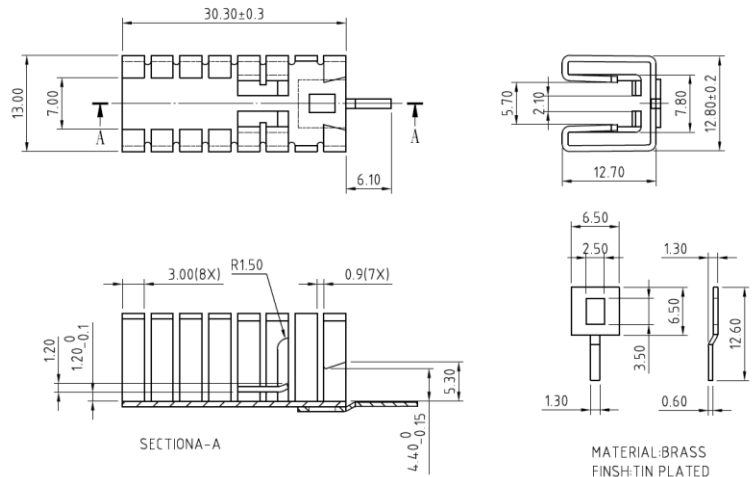
Thermal Resistance 27.3
Package Cooled TO-220
 TO-262



PAT-001A-0801 (AL5052 T=0.8 mm Black Anodized)



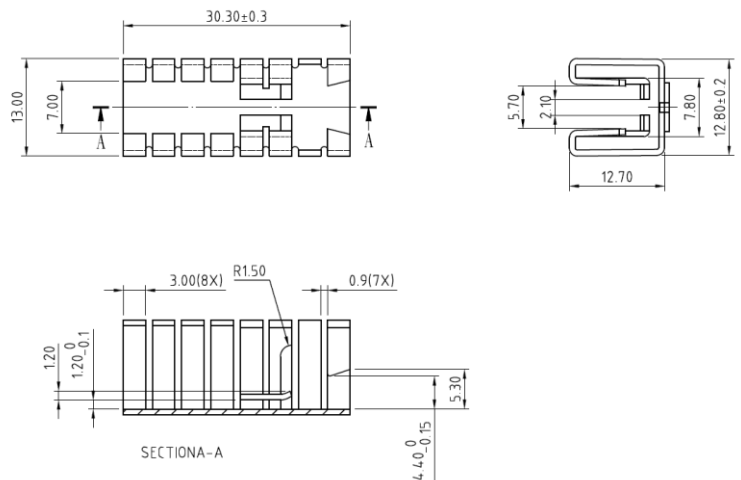
Thermal Resistance 19
Package Cooled TO-220
 TO-262



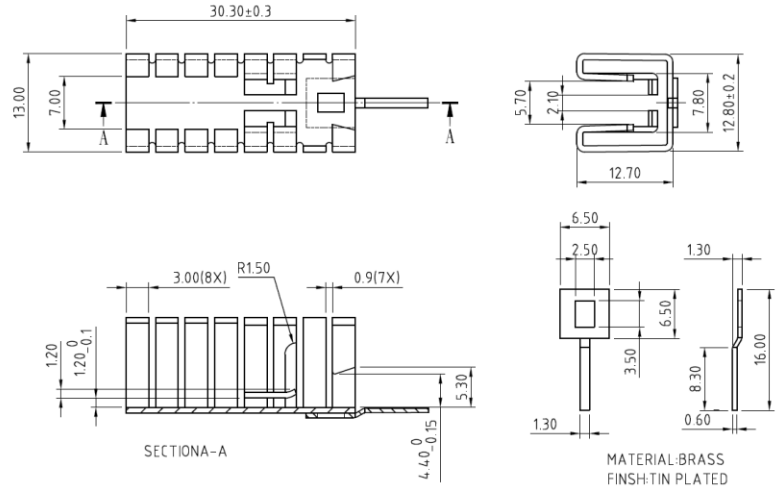
PAT-001A-0803-C (AL5052 T=0.8 mm Clean Only)



Thermal Resistance 19
Package Cooled TO-220
 TO-262

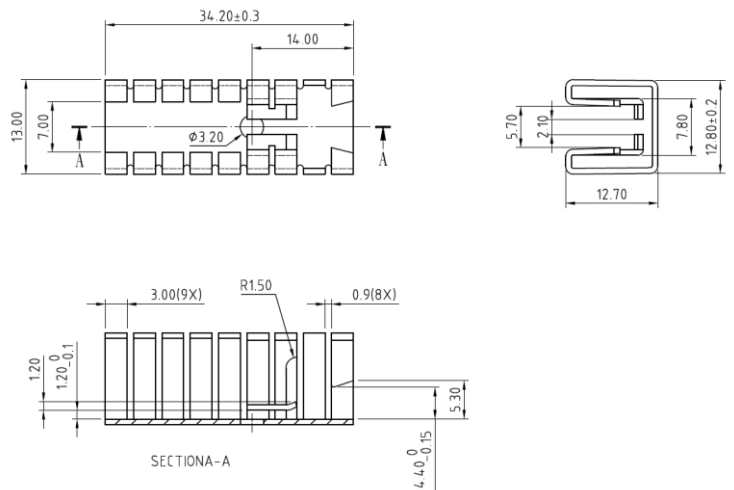


PAT-001A-0804 (AL5052 T=0.8 mm Black Anodized)



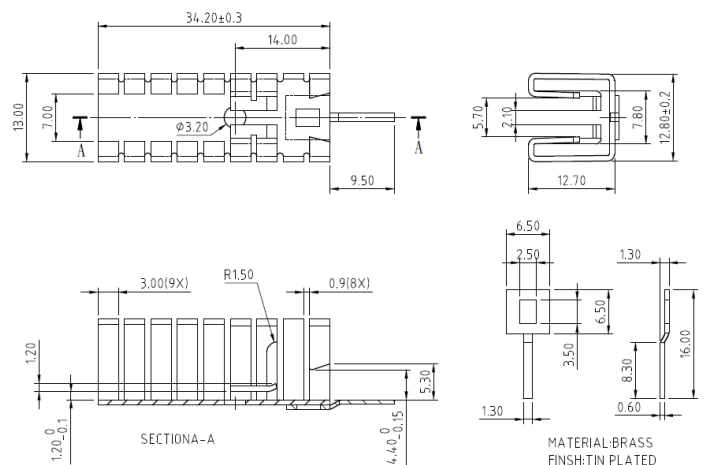
Thermal Resistance 19
Package Cooled TO-220
 TO-262

PAT-001A-0903-A (AL5052 T=0.8 mm Black Anodized)



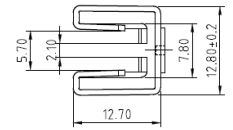
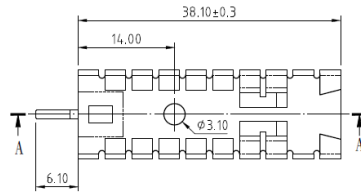
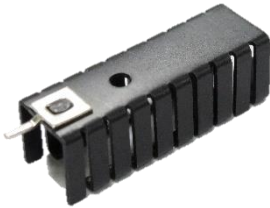
Thermal Resistance 20
Package Cooled TO-220
 TO-262

PAT-001A-0904-A (AL5052 T=0.8 mm Black Anodized)

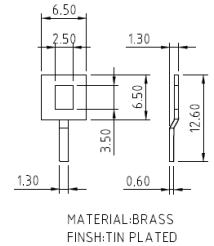
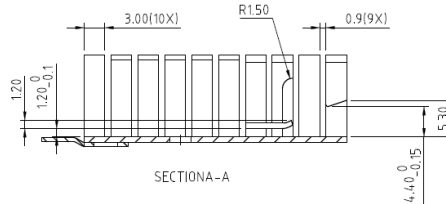


Thermal Resistance 20
Package Cooled TO-220
 TO-262

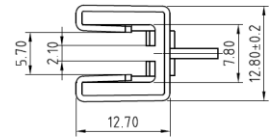
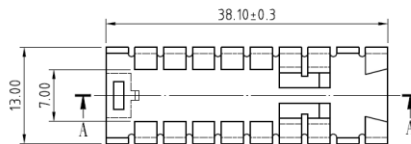
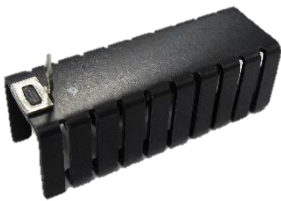
PAT-001A-1001-A (AL5052 T=0.8 mm Black Anodized)



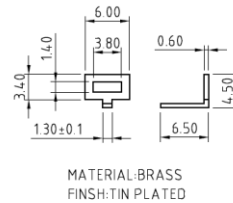
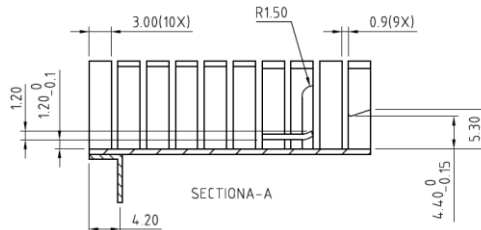
Thermal Resistance 19
Package Cooled TO-220
 TO-262



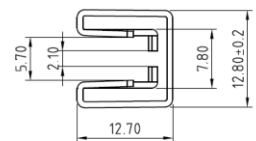
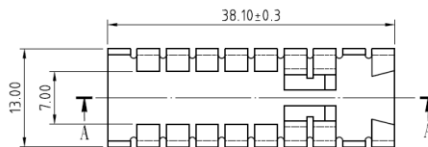
PAT-001A-1002 (AL5052 T=0.8 mm Black Anodized)



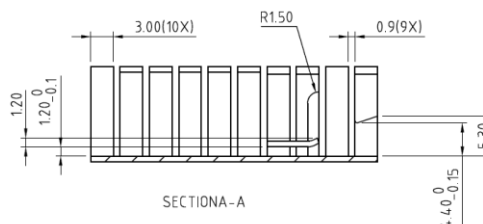
Thermal Resistance 19
Package Cooled TO-220
 TO-262



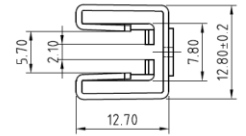
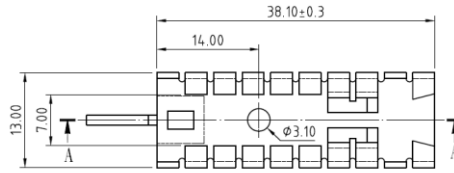
PAT-001A-1003 (AL5052 T=0.8 mm Black Anodized)



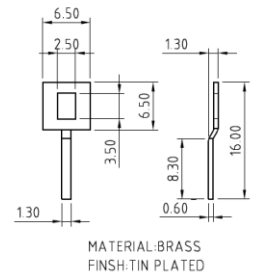
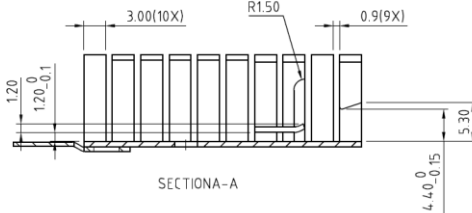
Thermal Resistance 19
Package Cooled TO-220
 TO-262



PAT-001A-1004 (AL5052 T=0.8 mm Black Anodized)

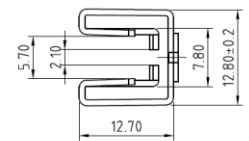


Thermal Resistance 19
Package Cooled TO-220
 TO-262

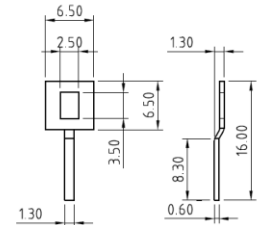
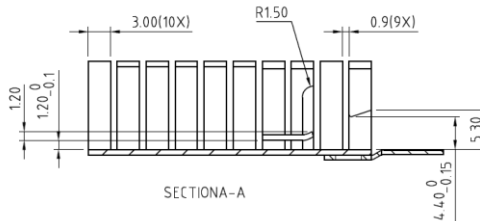


MATERIAL:BRASS
FINSH:TIN PLATED

PAT-001A-1005 (AL5052 T=0.8 mm Black Anodized)

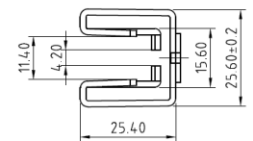


Thermal Resistance 19
Package Cooled TO-220
 TO-262

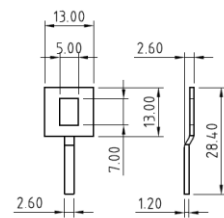
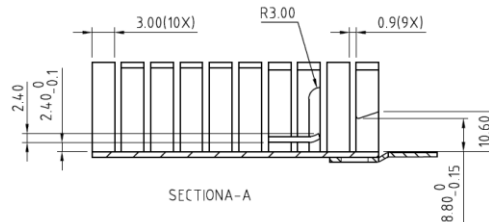


MATERIAL:BRASS
FINSH:TIN PLATED

PAT-001A-1006 (AL5052 T=0.8 mm Black Anodized)

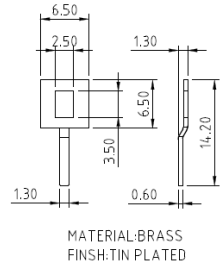
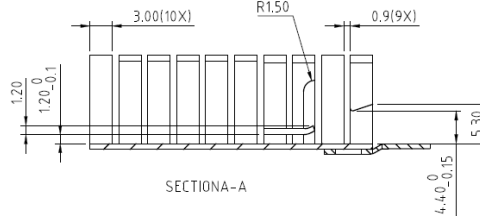
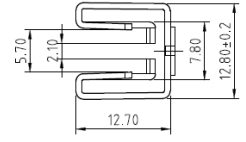
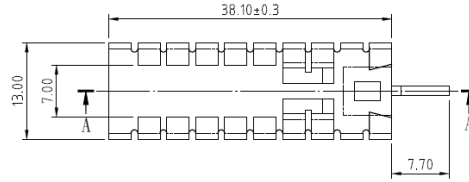


Thermal Resistance 19
Package Cooled TO-220
 TO-262



MATERIAL:BRASS
FINSH:TIN PLATED

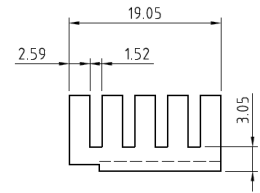
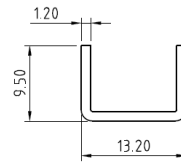
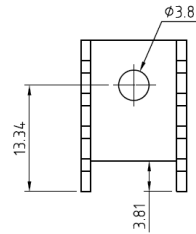
PAT-001A-1008 (AL5052 T=0.8 mm Black Anodized)



MATERIAL: BRASS
FINISH: TIN PLATED

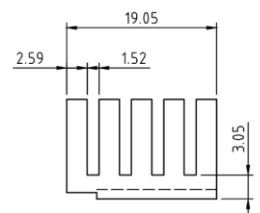
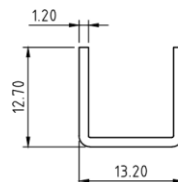
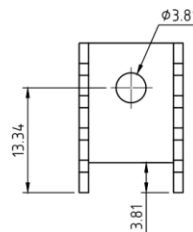
Thermal Resistance 19
Package Cooled TO-220
TO-262

PAT-001A-2811-A (AL5052 T=1.2 mm Black Anodized)



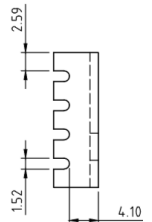
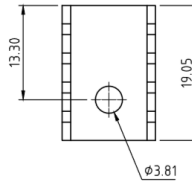
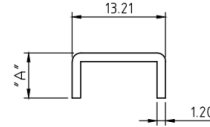
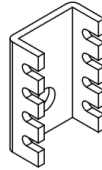
Thermal Resistance 24.7
Package Cooled TO-220

PAT-001A-7236 (AL1050 T=1.2 mm Black Anodized)



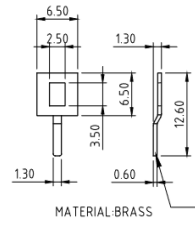
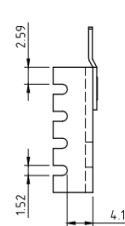
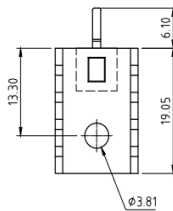
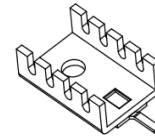
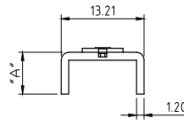
Thermal Resistance 24.7
Package Cooled TO-220

PAT-0013A-3771A (AL1050 T=1.2 mm Black Anodized)



Thermal Resistance 24.7
Package Cooled TO-220
A
 1PP 6.35
 2PP 9.52
 3PP 12.7

PAT-0013A-3771AP (AL1050 T=1.2 mm Black Anodized)

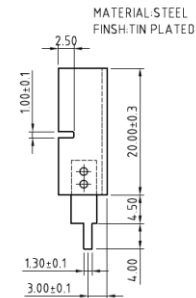
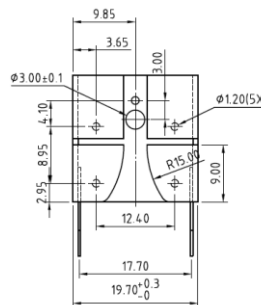
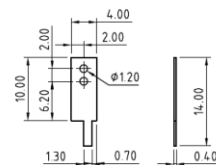
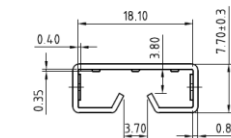


HEAT DISSIPATOR	
	"A"
1PP	6.35
2PP	9.52
3PP	12.7

Thermal Resistance 24.7
Package Cooled TO-220
A
 1PP 6.35
 2PP 9.52
 3PP 12.7

MATERIAL: BRASS
 PIN: Tin plated With ROHS Compliance

PAT-002A-0017 (AL5052 T=0.8 mm Black Anodized)



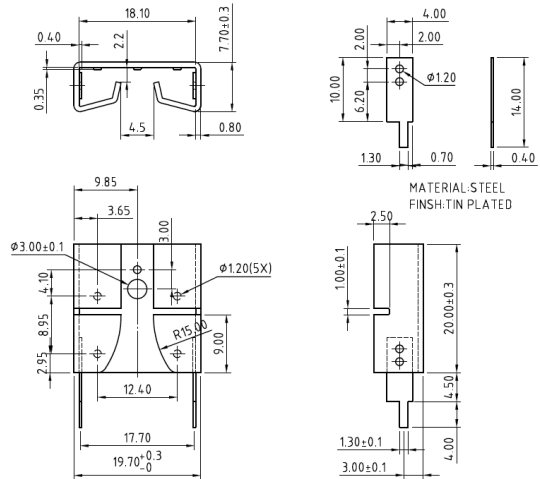
MATERIAL: STEEL
 FINISH: TIN PLATED

Thermal Resistance 29
Package Cooled TO-220

PAT-002A-0017-1 (AL5052 T=0.8 mm Black Anodized)



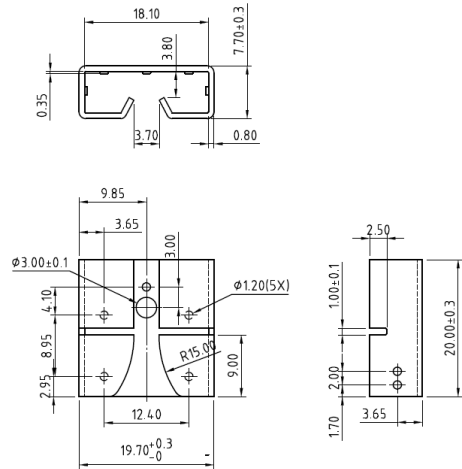
Thermal Resistance 29
Package Cooled TO-220



PAT-002A-0018 (AL5052 T=0.8 mm Black Anodized)



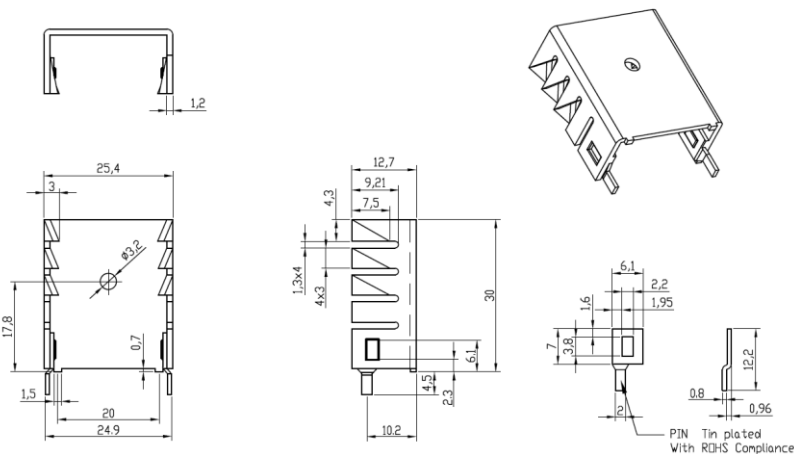
Thermal Resistance 29
Package Cooled TO-220



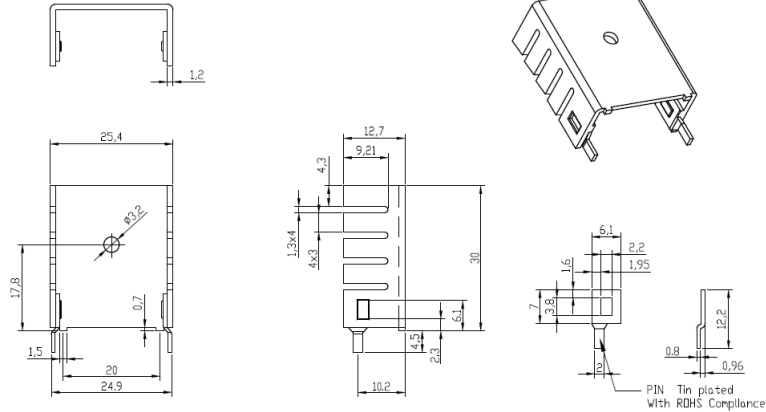
PAT-003A-0030-Z (AL1050 T=1.2 mm Black Anodized)



Thermal Resistance 13.4
Package Cooled TO-220

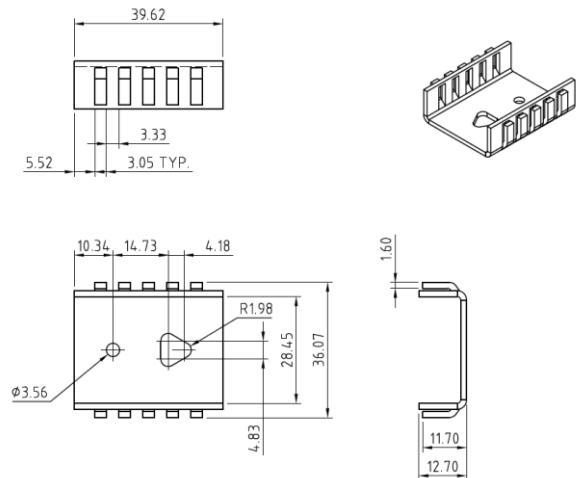


PAT-003A-0042 (AL1050 T=1.2 mm Black Anodized)



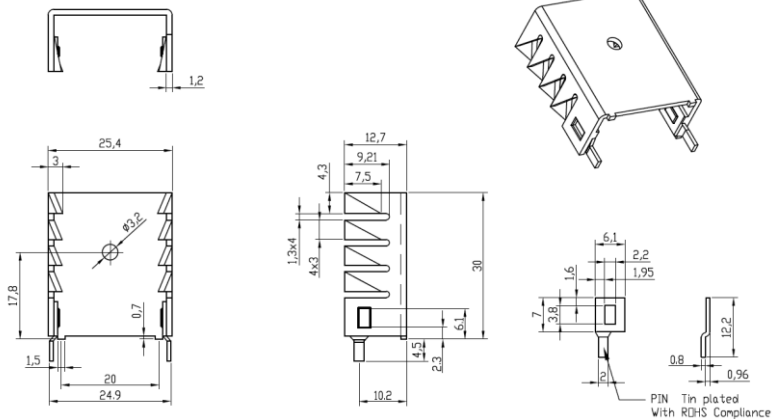
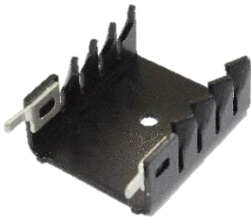
Thermal Resistance 13.4
Package Cooled TO-220

PAT-003A-0606 (AL1050 T=1.6 mm Black Anodized)



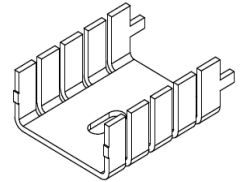
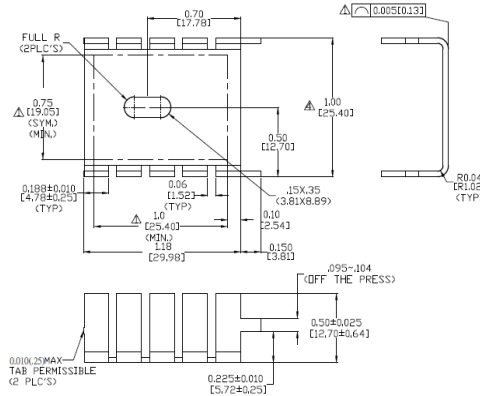
Thermal Resistance 10
Package Cooled TO-220

PAT-003A-1822 (AL1050 T=1.2 mm Black Anodized)



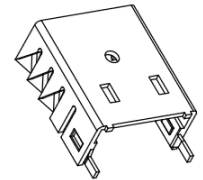
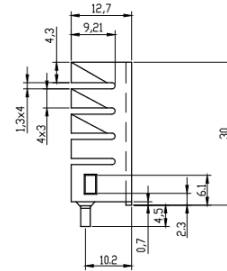
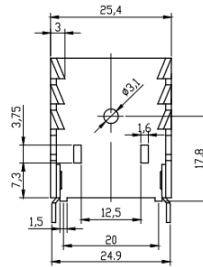
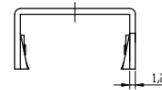
Thermal Resistance 13.4
Package Cooled TO-220

PAT-003A-24018 (AL5052 T=1.0 mm Black Anodized)

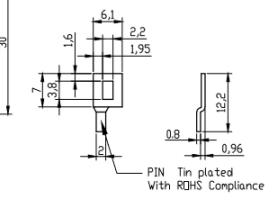


Thermal Resistance 13
Package Cooled TO-220

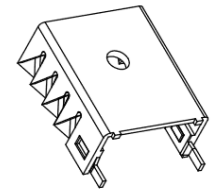
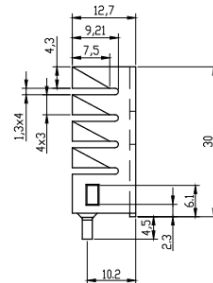
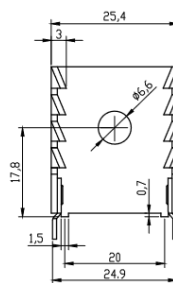
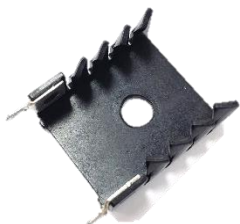
PAT-003A-0030-CTS (AL1050 T=1.2 mm Black Anodized)



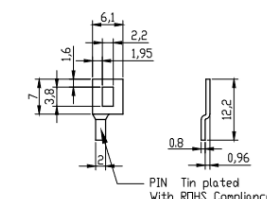
Thermal Resistance 13.4
Package Cooled TO-220



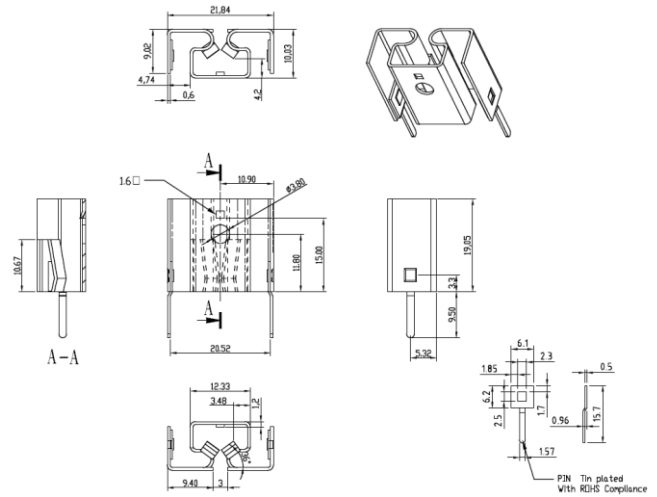
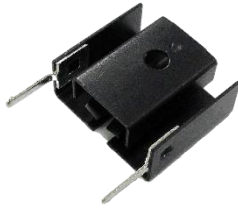
PAT-003A-003A-1823 (AL1050 T=1.2 mm Black Anodized)



Thermal Resistance 13.4
Package Cooled TO-220

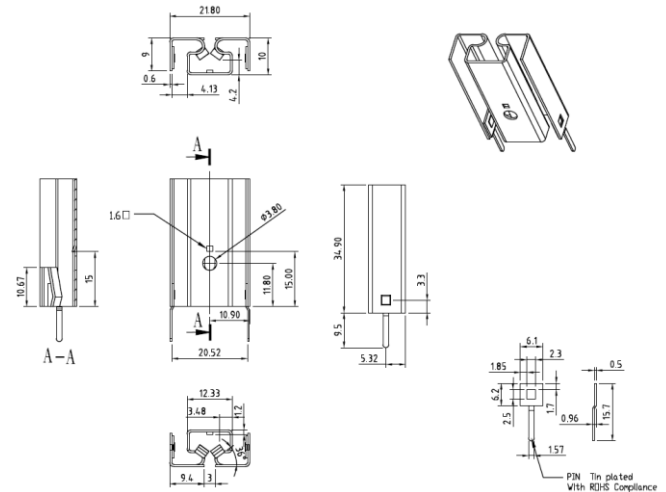


PAT-004A-0003 (AL5052 T=0.6 mm Black Anodized)



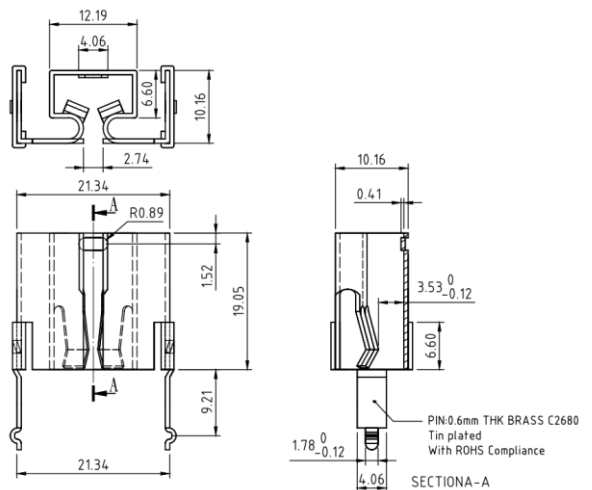
Thermal Resistance 23
Package Cooled TO-220

PAT-004A-0004-Z (AL5052 T=0.6 mm Black Anodized)



Thermal Resistance 16
Package Cooled TO-220

PAT-004A-0019-Z (AL5052 T=0.8 mm Black Anodized)

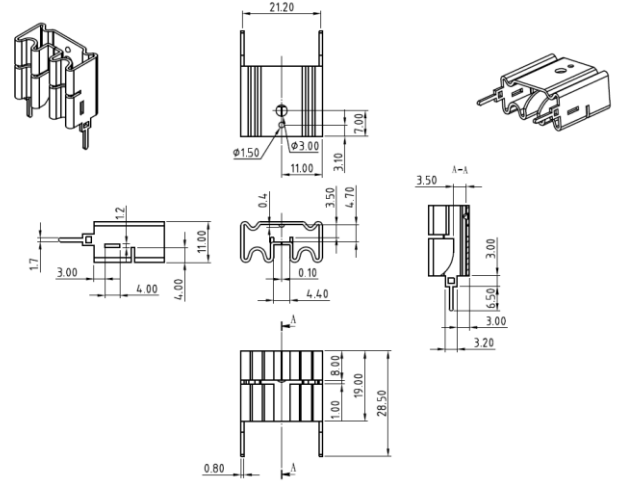


Thermal Resistance 23.2
Package Cooled TO-220

PAT-005A-2801-A (AL5052 T=0.8 mm Black Anodized)



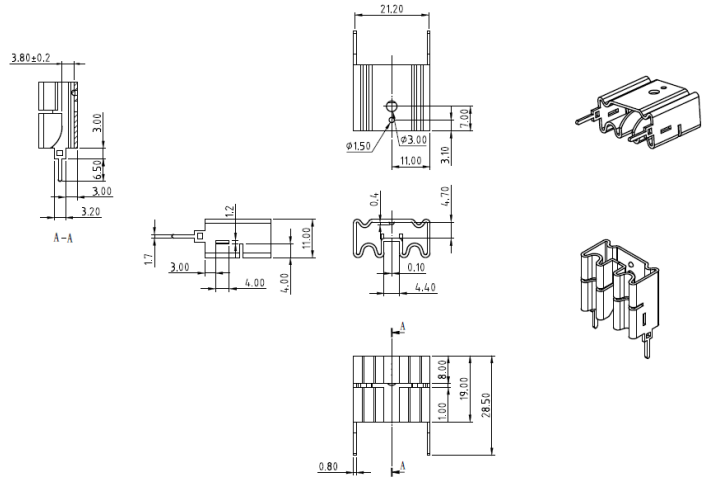
Thermal Resistance 21
Package Cooled TO-220
 TO-216



PAT-005A-2801-AB (AL5052 T=0.8 mm Black Anodized)



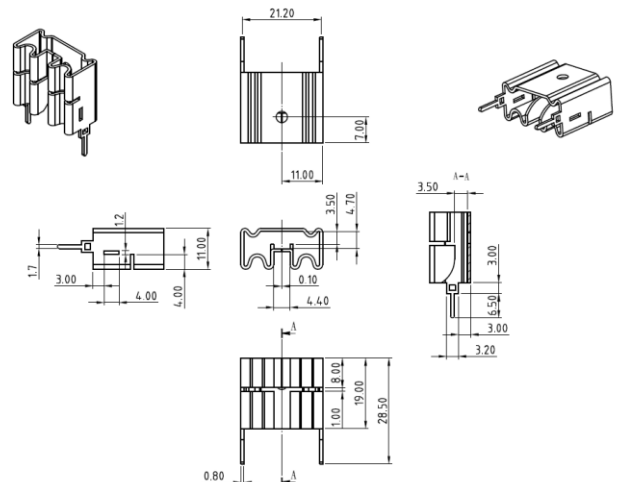
Thermal Resistance 21
Package Cooled TO-220
 TO-216



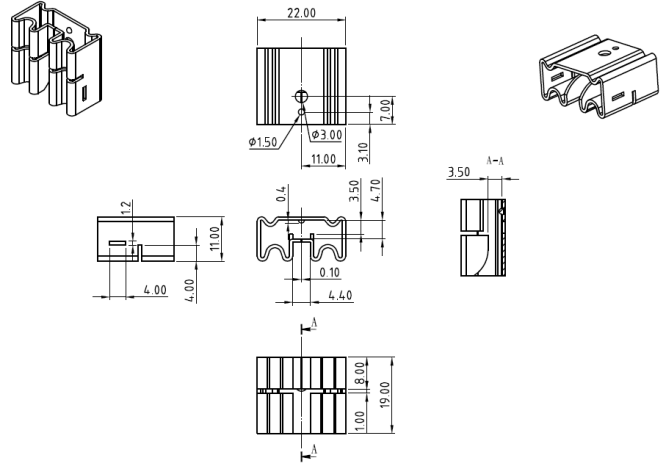
PAT-005A-2801-M (AL5052 T=0.8 mm Matte Tin Plated)



Thermal Resistance 20.3
Package Cooled TO-220
 TO-216

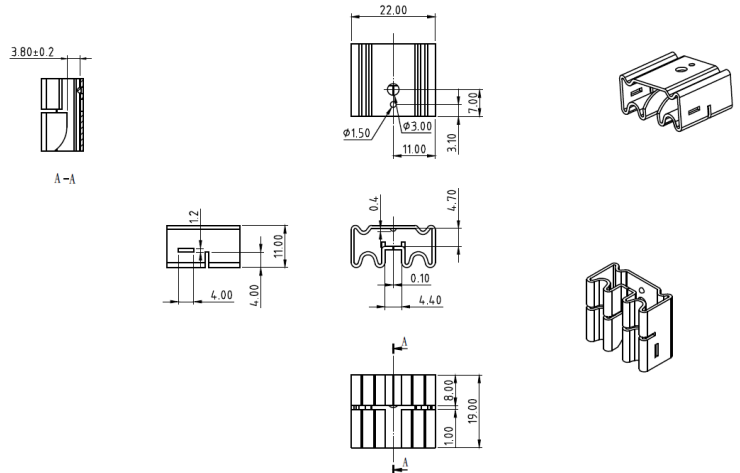


PAT-005A-2901-A (AL5052 T=0.8 mm Black Anodized)



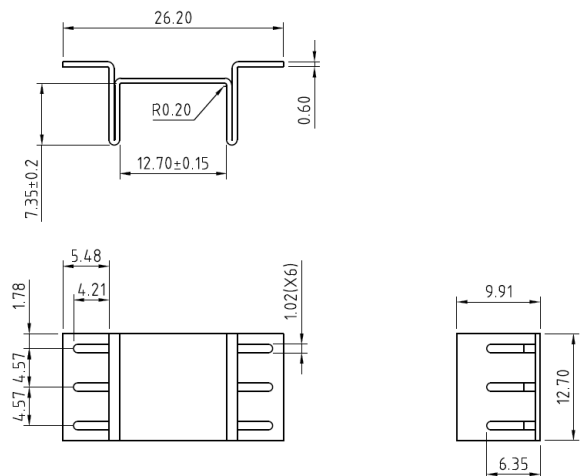
Thermal Resistance 21
Package Cooled TO-220

PAT-005A-2901-AB (AL5052 T=0.8 mm Black Anodized)



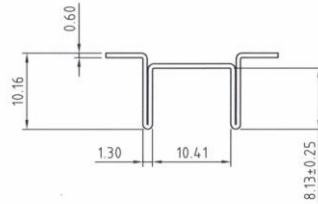
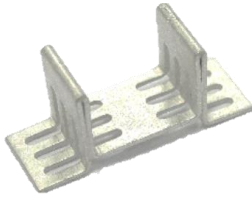
Thermal Resistance 21
Package Cooled TO-220

PAT-006C-0013-T (C1100 T=0.6 mm Tin Plated)

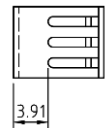
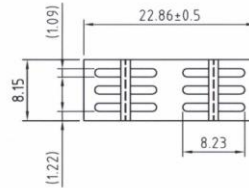


Thermal Resistance 18
Package Cooled D³PAK (TO-268)

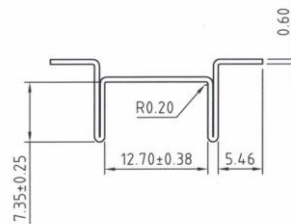
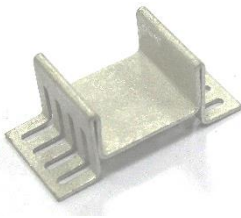
PAT-006C-CTE3-M (C1100 T=0.6 mm Matte Tin)



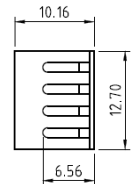
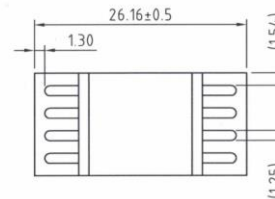
Thermal Resistance 31
Package Cooled D PAK
 (TO-252)



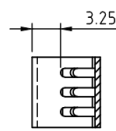
PAT-006C-CTE5-M (C1100 T=0.6 mm Matte Tin)



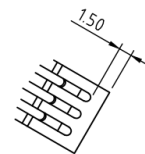
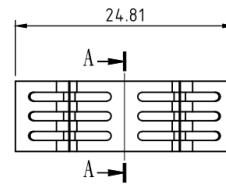
Thermal Resistance 31
Package Cooled D³PAK
 (TO-268)



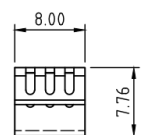
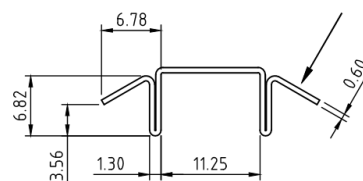
PAT-006C-1524 (C1100 T=0.6 mm Matte Tin Plated)



SECTION A-A



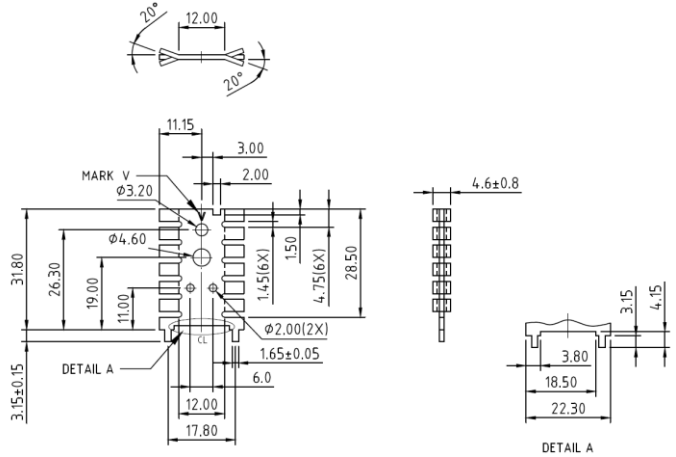
Thermal Resistance 28
Package Cooled TO-252



PAT-007C-0008 (C1100 T=1.2 mm Matte Tin)



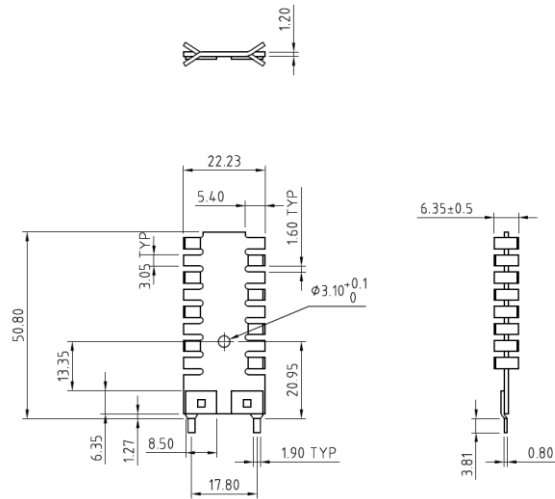
Thermal Resistance 24
Package Cooled TO-220



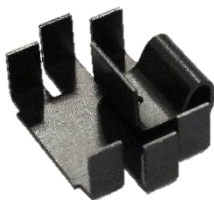
PAT-007A-0404-A (AL1050 T=1.2 mm Black Anodized)



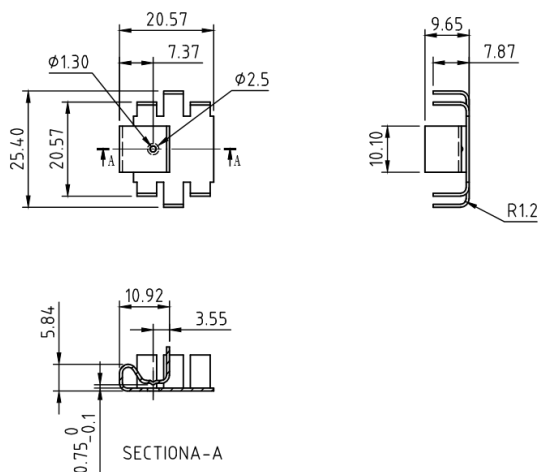
Thermal Resistance 20
Package Cooled TO-220
 TO-202



PAT-008A-0641 (AL5052 T=0.6 mm Black Anodized)



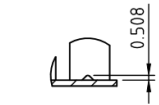
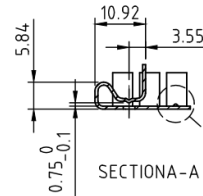
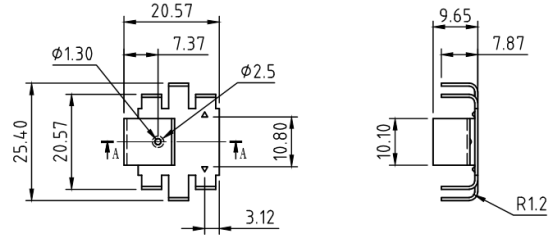
Thermal Resistance 41.7
Package Cooled TO-220



PAT-008A-0657 (AL5052 T=0.6 mm Black Anodized)



Thermal Resistance 41.7
Package Cooled TO-220

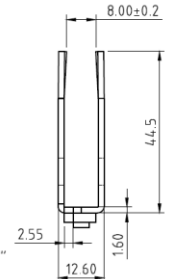
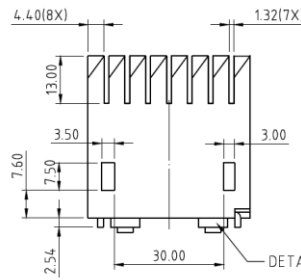
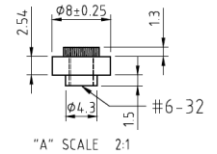
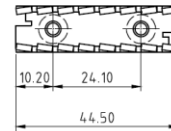


DETAIL B
SCALE 4:1

PAT-009A-2187-1 (AL1050 T=1.6 mm Black Anodized)



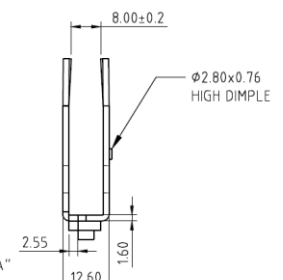
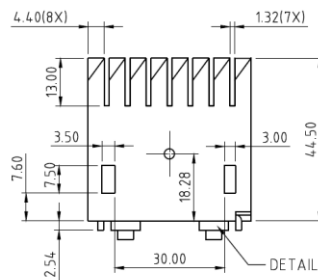
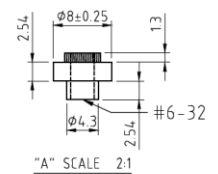
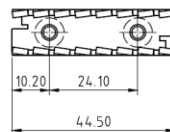
Thermal Resistance 4.4
Package Cooled TO-220
 TO-218
 TO-247



PAT-009A-2187-2 (AL1050 T=1.6 mm Black Anodized)



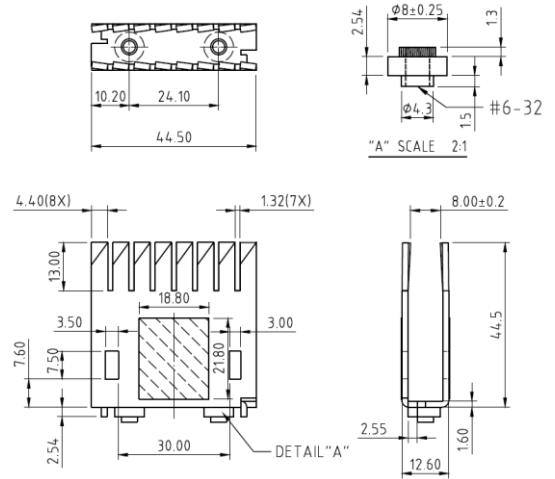
Thermal Resistance 4.4
Package Cooled TO-220
 TO-218
 TO-247



PAT-009A-2187G1-1 (AL1050 T=1.6 mm Black Anodized)



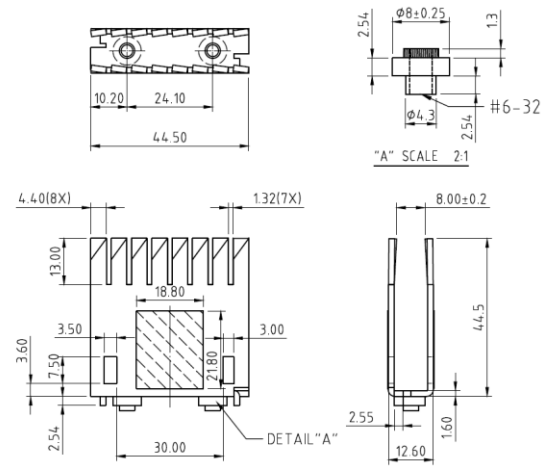
Thermal Resistance 4.4
Package Cooled TO-220
 TO-218
 TO-247



PAT-009A-2187G1-2A (AL1050 T=1.6 mm Black Anodized)



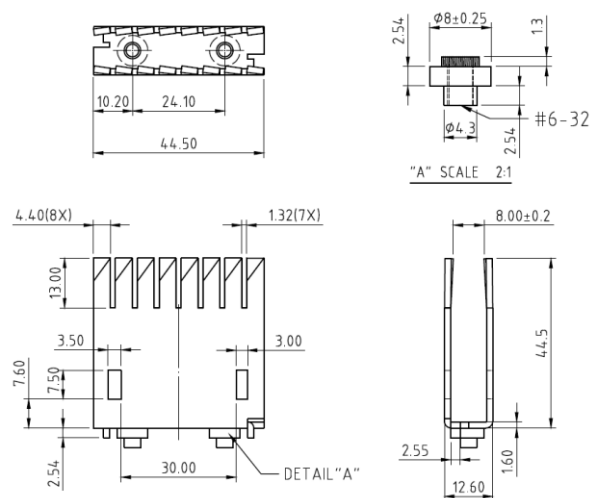
Thermal Resistance 4.4
Package Cooled TO-220
 TO-218
 TO-247



PAT-009A-2187G2 (AL1050 T=1.6 mm Gold Anodized)



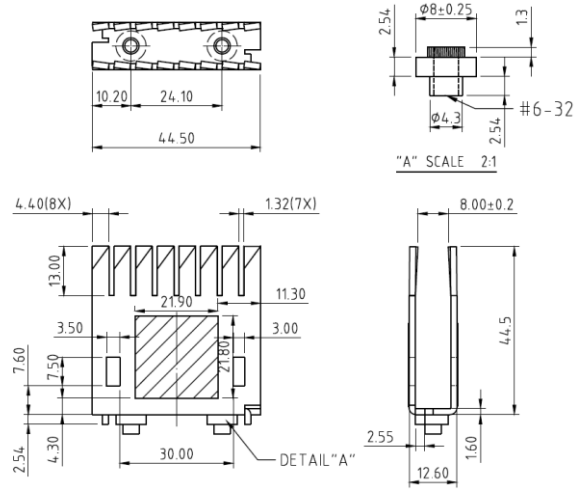
Thermal Resistance 4.4
Package Cooled TO-220
 TO-218
 TO-247



PAT-009A-2187G2-2 (AL1050 T=1.6 mm Black Anodized)



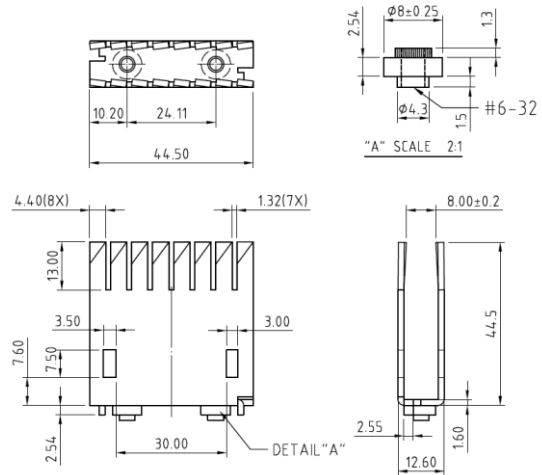
Thermal Resistance 4.4
Package Cooled TO-220
 TO-218
 TO-247



PAT-009A-2187-05 (AL1050 T=1.6 mm Gold Anodized)



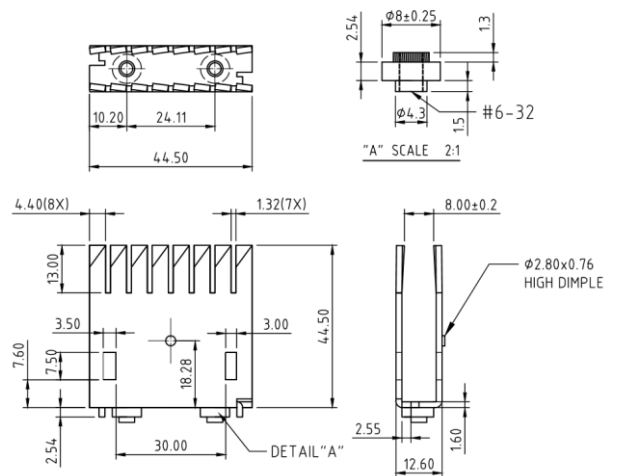
Thermal Resistance 4.4
Package Cooled TO-220
 TO-218
 TO-247



PAT-009A-2187-5 (AL1050 T=1.6 mm Black Anodized)



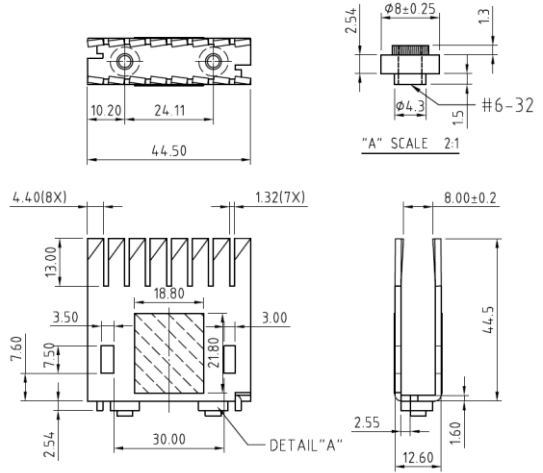
Thermal Resistance 4.4
Package Cooled TO-220
 TO-218
 TO-247



PAT-009A-2187-M (AL1050 T=1.6 mm Black Anodized)



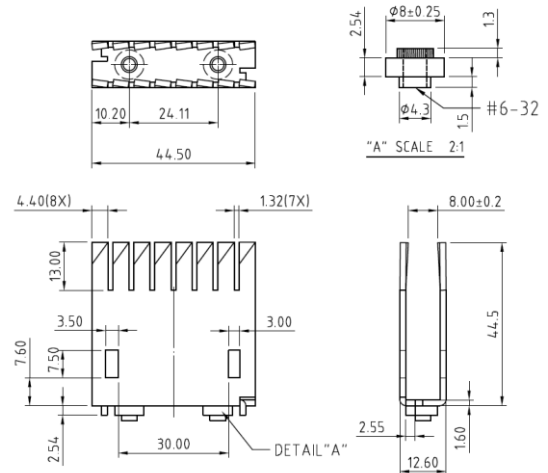
Thermal Resistance 4.4
Package Cooled TO-220
 TO-218
 TO-247



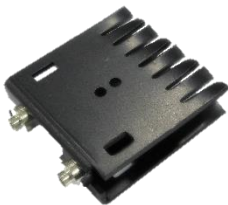
PAT-009A-2187-M2 (AL1050 T=1.6 mm Black Anodized)



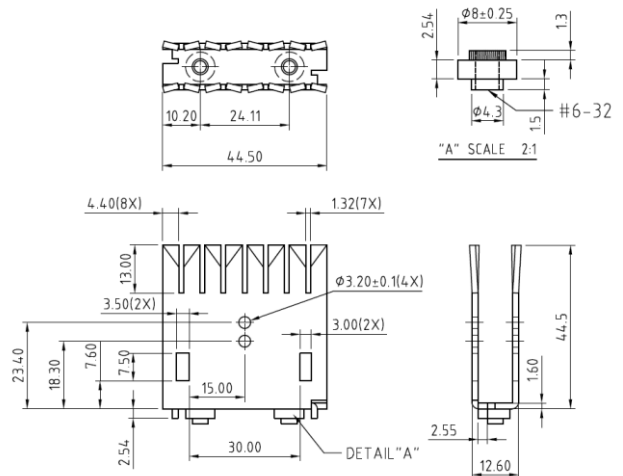
Thermal Resistance 4.4
Package Cooled TO-220
 TO-218
 TO-247



PAT-009A-2189 (AL1050 T=1.6 mm Black Anodized)



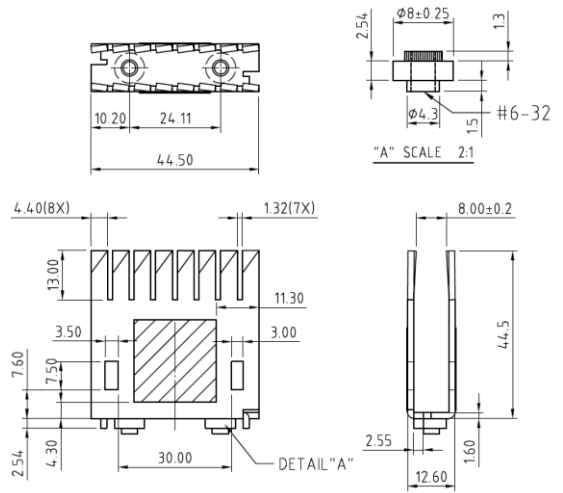
Thermal Resistance 4.4
Package Cooled TO-220
 TO-218
 TO-247



PAT-009A-2189-T (AL1050 T=1.6 mm Black Anodized)



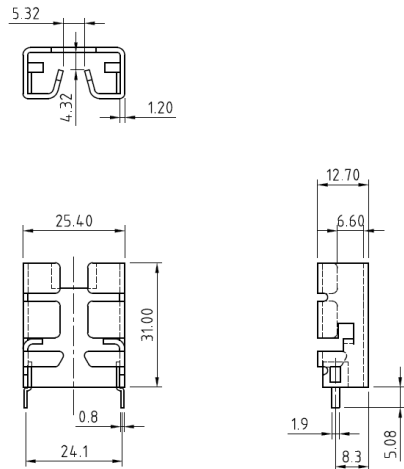
Thermal Resistance 4.4
Package Cooled TO-220
 TO-218
 TO-247



PAT-010A-2209 (AL5052 T=1.2 mm Black Anodized)



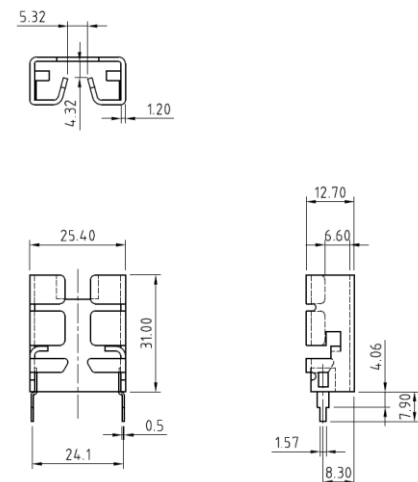
Thermal Resistance 12.5
Package Cooled Multiwatt



PAT-010A-2225 (AL5052 T=1.2 mm Black Anodized)



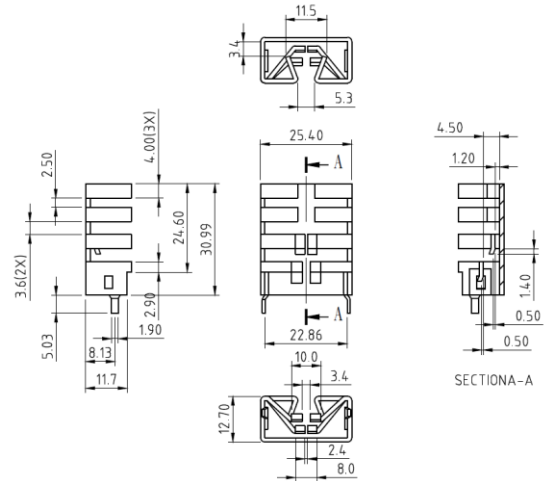
Thermal Resistance 12.5
Package Cooled Multiwatt



PAT-010A-2531 (AL5052 T=1.2 mm Black Anodized)



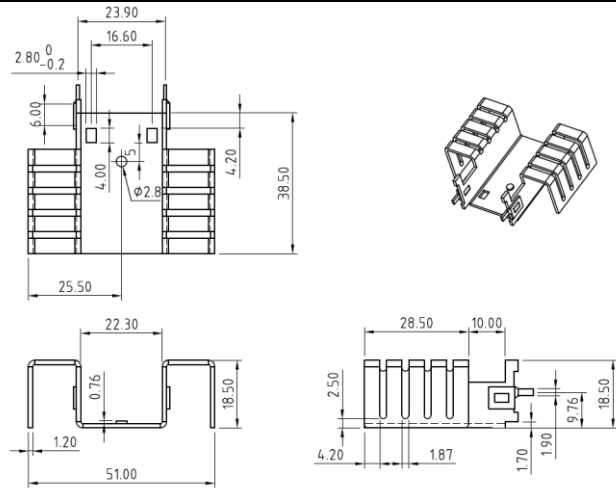
Thermal Resistance 11.5
Package Cooled SIPS
 (Plug in style heatsink)



PAT-011A-0052 (AL1050 T=1.2 mm Black Anodized)



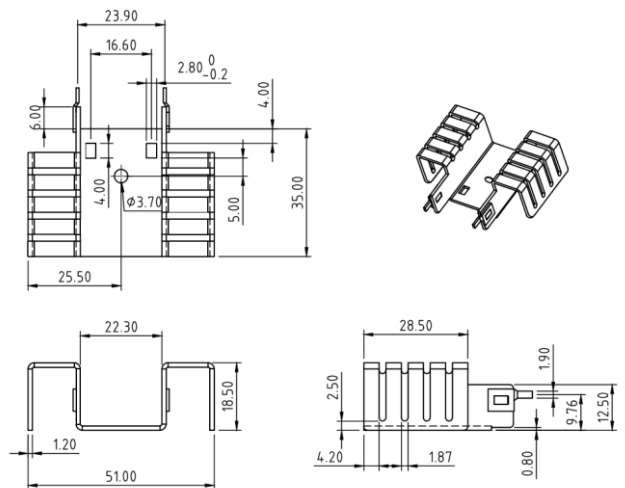
Thermal Resistance 7
Package Cooled TO-220



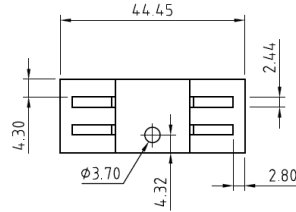
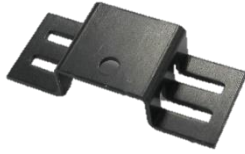
PAT-011A-0052-2 (AL1050 T=1.2 mm Black Anodized)



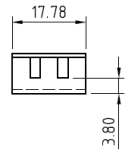
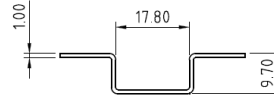
Thermal Resistance 7
Package Cooled TO-220



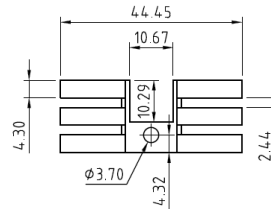
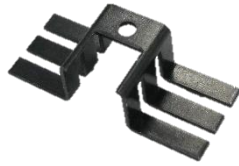
PAT-012A-0082 (AL1050 T=1.0 mm Black Anodized)



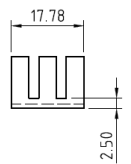
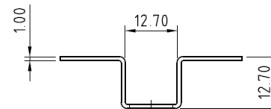
Thermal Resistance 15.6
Package Cooled TO-202
 TO-220
 TO-218
 TO-247



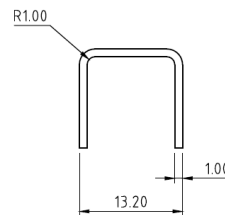
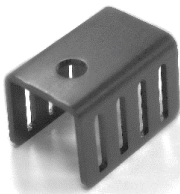
PAT-012A-0082-G (AL1050 T=1.0 mm Black Anodized)



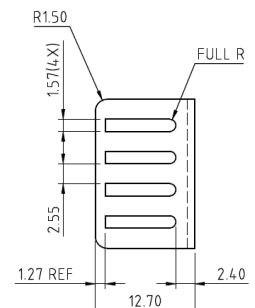
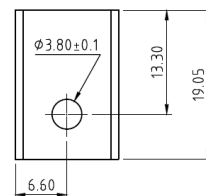
Thermal Resistance 15.6
Package Cooled TO-220



PAT-013A-8301 (AL5052 T=1.0 mm Black Anodized)



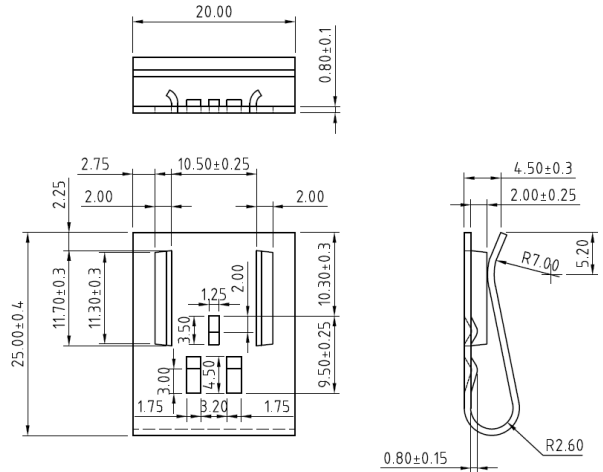
Thermal Resistance 25
Package Cooled TO-220



PAT-014A-0021 (AL5052 T=0.8 mm Black Anodized)



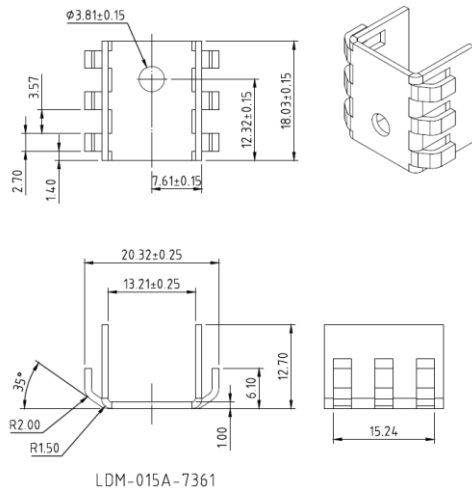
Thermal Resistance 23
Package Cooled TO-220
 TO-126



PAT-015A-7361 (AL1050 T=1.0 mm Black Anodized)



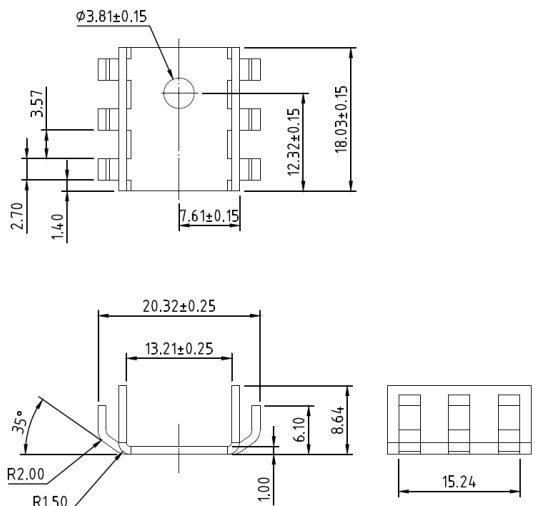
Thermal Resistance 30
Package Cooled TO-220



PAT-015A-7362 (AL1050 T=1.0 mm Black Anodized)



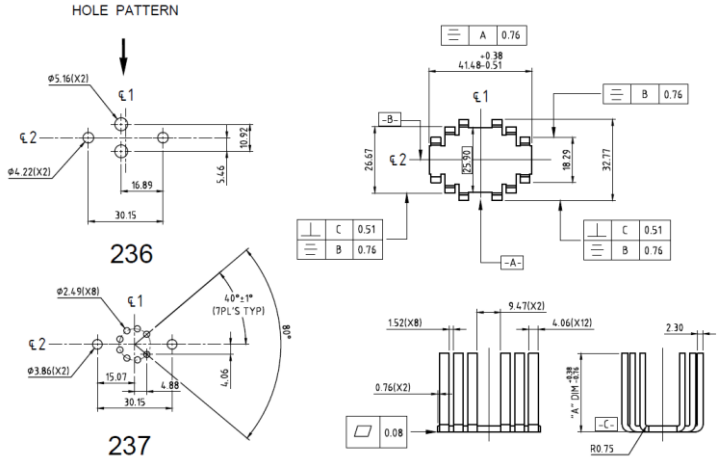
Thermal Resistance 30
Package Cooled TO-220



PAT-016A-LAIC (AL1050 T=2.3 mm Black Anodized)



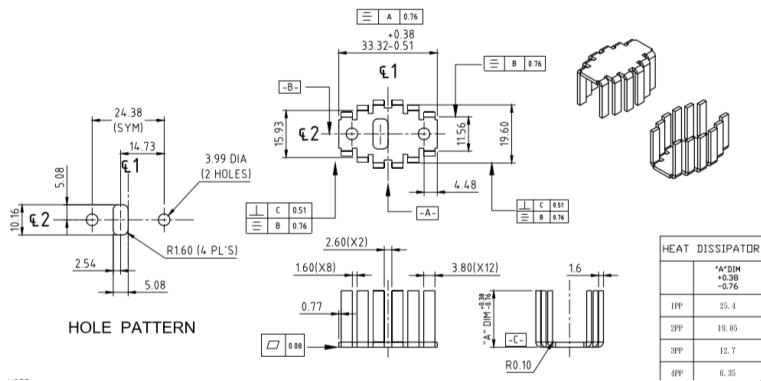
Thermal Resistance 12
Package Cooled TO-3
A
 1PP - 31.75
 2PP - 25.40
 3PP - 19.05
 4PP - 12.70



PAT-016A-LAE66 (AL1050 T=1.6 mm Black Anodized)



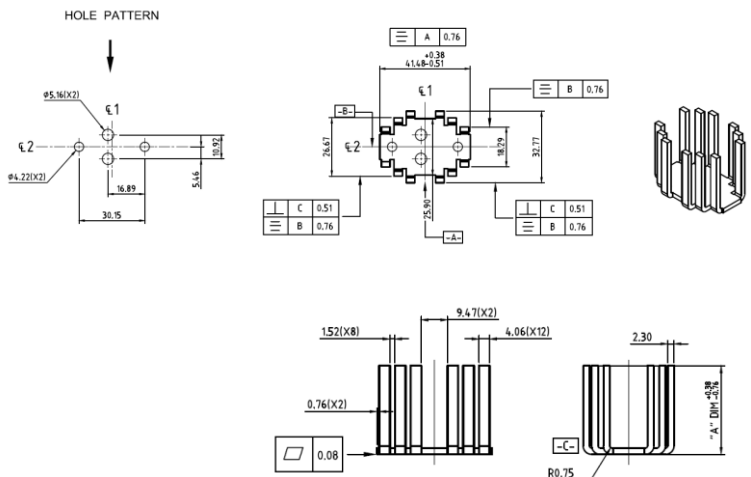
Thermal Resistance 20
Package Cooled TO-126
 TO-220
A
 1PP - 25.4
 2PP - 19.05
 3PP - 12.7
 4PP - 6.35



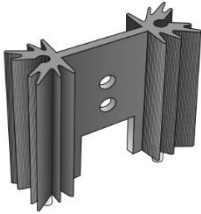
PAT-016A-LATO (AL1050 T=2.3 mm Black Anodized)



Thermal Resistance 12
Package Cooled TO-3
A
 1PP - 31.75
 2PP - 25.40
 3PP - 19.05
 4PP - 12.70



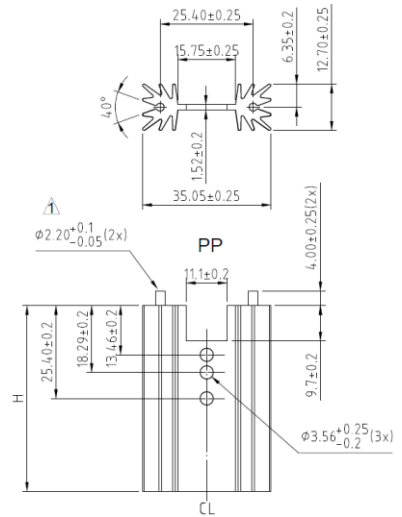
PAT-EXT-7338-1PP (AL6063 Black Anodized)



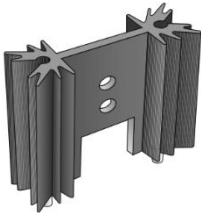
Thermal Resistance 11

Package Cooled TO-218
TO-220
TO-247

H 38.1



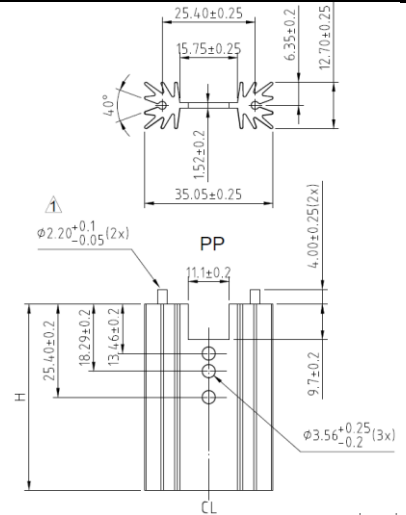
PAT-EXT-7338-2PP (AL6063 Black Anodized)



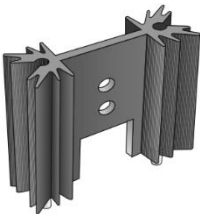
Thermal Resistance 10

Package Cooled TO-218
TO-220
TO-247

H 44.45



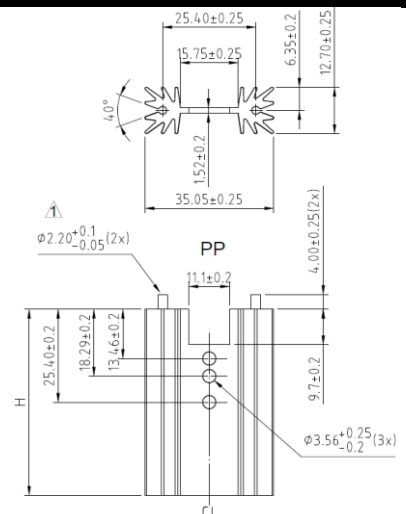
PAT-EXT-7338-4PP (AL6063 Black Anodized)



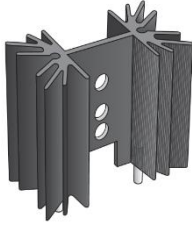
Thermal Resistance 8

Package Cooled TO-218
TO-220
TO-247

H 63.5



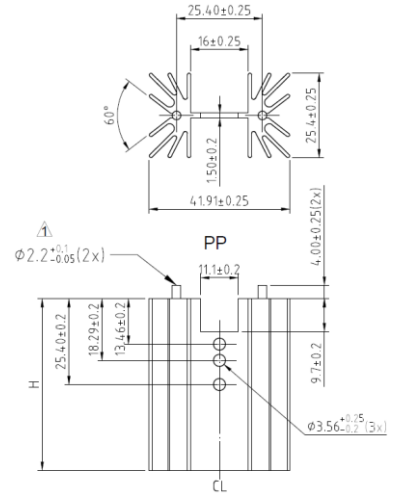
PAT-EXT-7339-1PP (AL6063 Black Anodized)



Thermal Resistance 3.9

Package Cooled TO-218
TO-220
TO-247

H 38.1



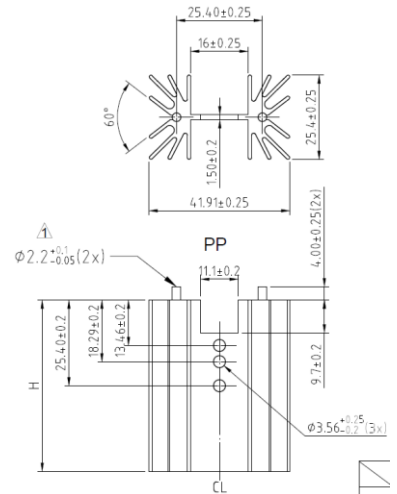
PAT-EXT-7339-3PP (AL6063 Black Anodized)



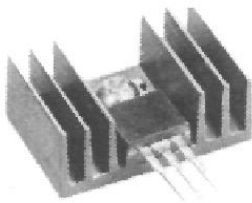
Thermal Resistance 3.5

Package Cooled TO-218
TO-220
TO-247

H 50.8

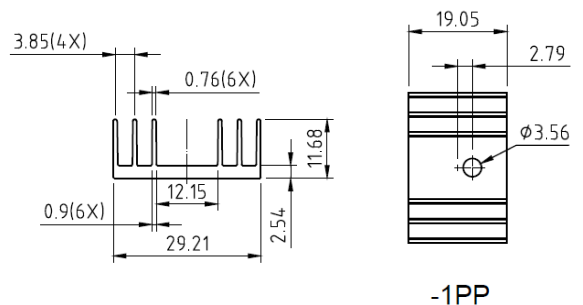


PAT-EXT-7340-1PP (AL6063 Black Anodized)



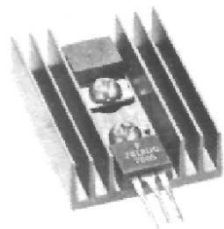
Thermal Resistance 14

Package Cooled TO-126
TO-202
TO-218
TO-220



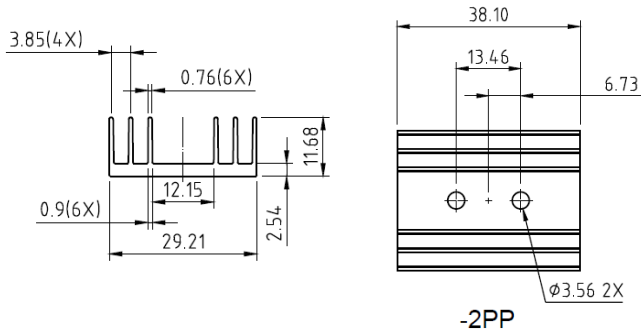
-1PP

PAT-EXT-7340-2PP (AL6063 Black Anodized)

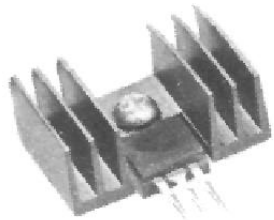


Thermal Resistance 3.1

Package Cooled TO-126
TO-202
TO-218
TO-220

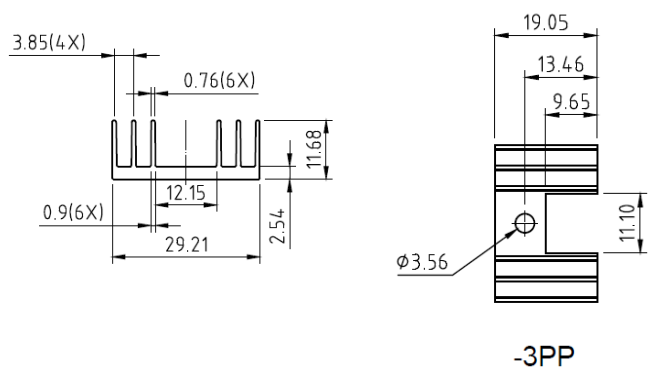


PAT-EXT-7340-3PP (AL6063 Black Anodized)

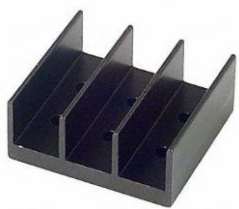


Thermal Resistance 14

Package Cooled TO-126
TO-202
TO-218
TO-220



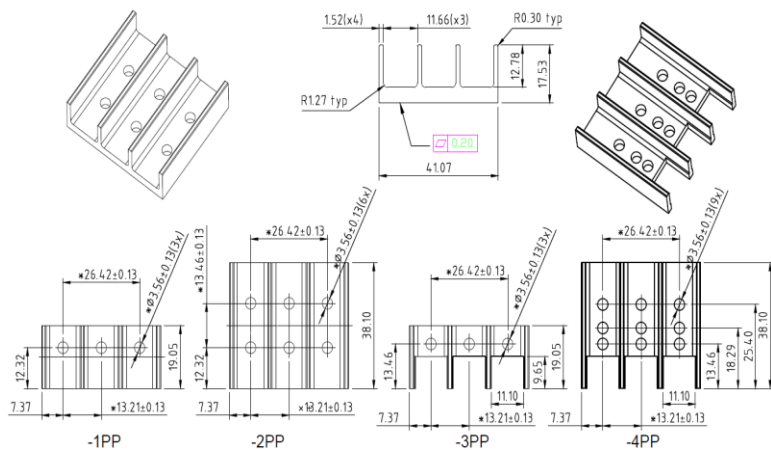
PAT-EXT-7342-2PP (AL6063 Black Anodized)



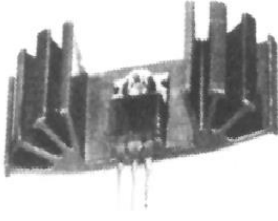
Thermal Resistance 5

Package Cooled TO-220

H 38.1

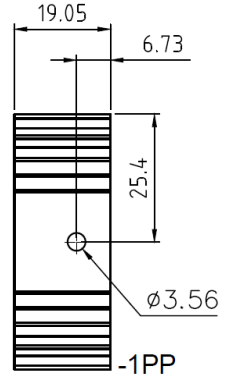
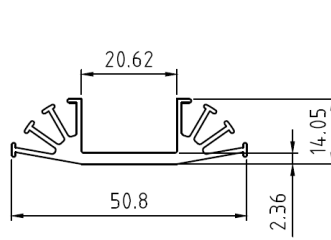


PAT-EXT-7345-1PP (AL6063 Black Anodized)

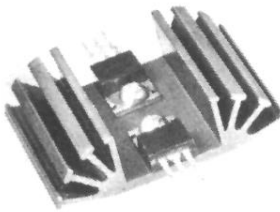


Thermal Resistance 9

Package Cooled TO-126
TO-202
TO-218
TO-220

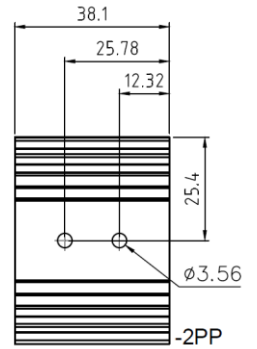
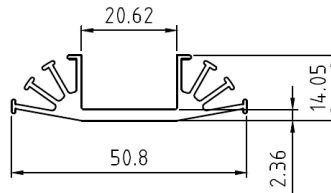


PAT-EXT-7345-2PP (AL6063 Black Anodized)

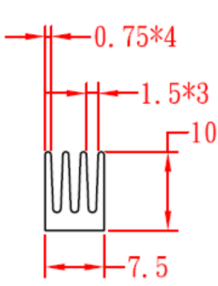


Thermal Resistance 14

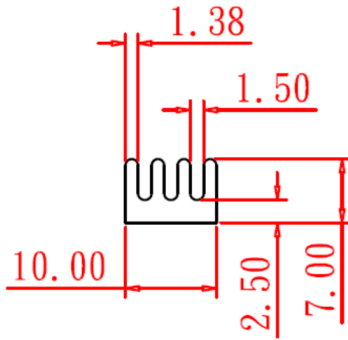
Package Cooled TO-126
TO-202
TO-218
TO-220



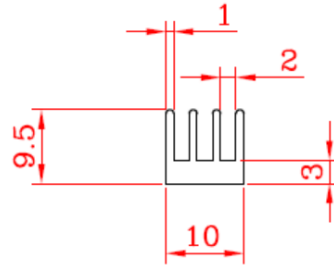
Extruded Heat sink



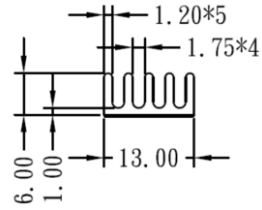
W7.5H10



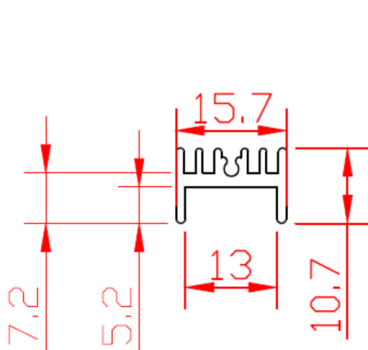
W10H7



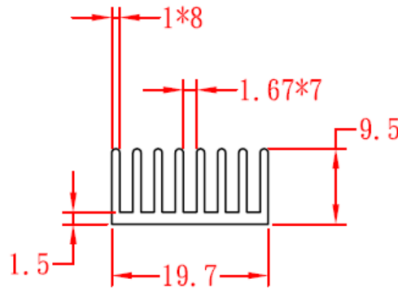
W10H9.5



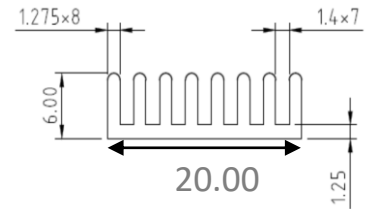
W13H6



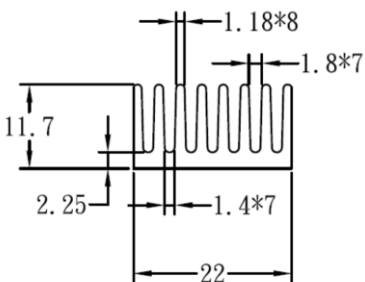
W15.7H10.7



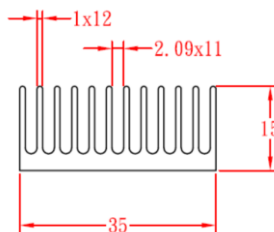
W19.7H9.5



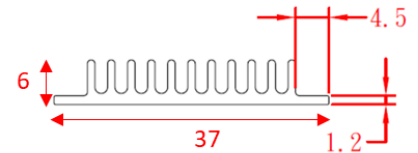
W20H6



W22H11.7



W35H15



W37H6